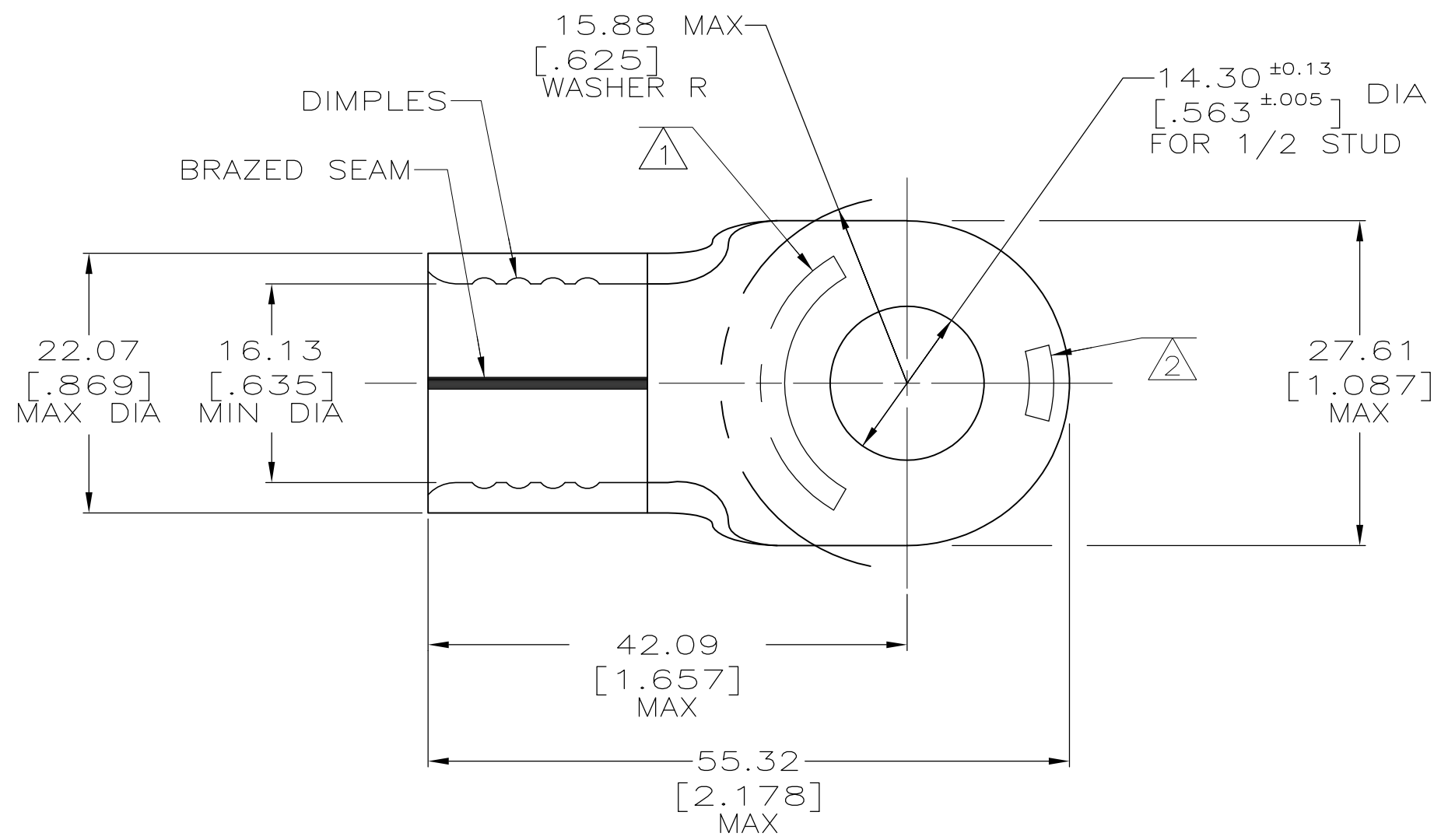


THIS DRAWING IS UNPUBLISHED. RELEASED FOR PUBLICATION
 © COPYRIGHT BY TYCO ELECTRONICS CORPORATION. ALL RIGHTS RESERVED.

LOC	DIST	REVISIONS			
P	LTR	DESCRIPTION	DATE	DWN	APVD
G	14	1	PROPOSED	-	-

AMP
WIRE RANGE

4/0 AWG
SOLID OR STRANDED



- △1 STAMP AMP 4/0W* APPROX AS SHOWN
- △2 STAMP AMP 200 APPROX AS SHOWN
- 3 MATERIAL THK: 2.59 ±0.08 [.102 ±0.003]
- △4 COPPER PER ASTM B-152, ANNEALED
- △5 0.002541 [.000100] MIN TIN PLATE PER ASTM B-545
- △6 PRELIMINARY - NOT FOR PRODUCTION

△6 1958148-1
PART NO.

AMP INCORPORATED CUSTOMER SERVICE SYSTEMS		MAX RECOMMENDED OPERATING TEMPERATURE: 170°C	THIS DRAWING IS A CONTROLLED DOCUMENT.		DWN JR RUTH 03AUG07	Tyco Electronics Corporation Harrisburg, PA 17105-3608				
FOR ADDITIONAL PRODUCT INFORMATION OR COPIES OF DRAWINGS AND TECHNICAL DOCUMENTS	PRODUCT INFORMATION CENTER 1-800-522-6752	VOLTAGE RATING: N/A	DIMENSIONS: INCHES	TOLERANCES UNLESS OTHERWISE SPECIFIED:	CHK M SPICER 03AUG07	NAME TERMINAL, RING TONGUE, SOLISTRAND				
FOR APPLICATION TOOLING INFORMATION	TOOLING ASSISTANCE CENTER 1-800-722-1111	CIRCULAR MIL AREA: 96.3-117.0mm² [190,000-231,000] SOLID OR STRANDED		0 PLC ± - 1 PLC ± - 2 PLC ± 0.20[.008] 3 PLC ± - 4 PLC ± - ANGLES ± -	APVD M SPICER 03AUG07	PRODUCT SPEC	SIZE	CAGE CODE	DRAWING NO	RESTRICTED TO
FOR ORDER ENTRY	1-800-526-5142	THIS DRAWING IS A CONTROLLED DOCUMENT FOR AMP INCORPORATED. IT IS SUBJECT TO CHANGE AND THE CONTROLLING ENGINEERING ORGANIZATION SHOULD BE CONTACTED FOR THE LATEST REVISION.	MATERIAL - 4	FINISH - 5	PRODUCT SPEC	---	---	---	---	---
					WEIGHT	A3 00779		G-1958148		---
					CUSTOMER DRAWING		SCALE	2:1		SHEET 1 OF 1 REV 1