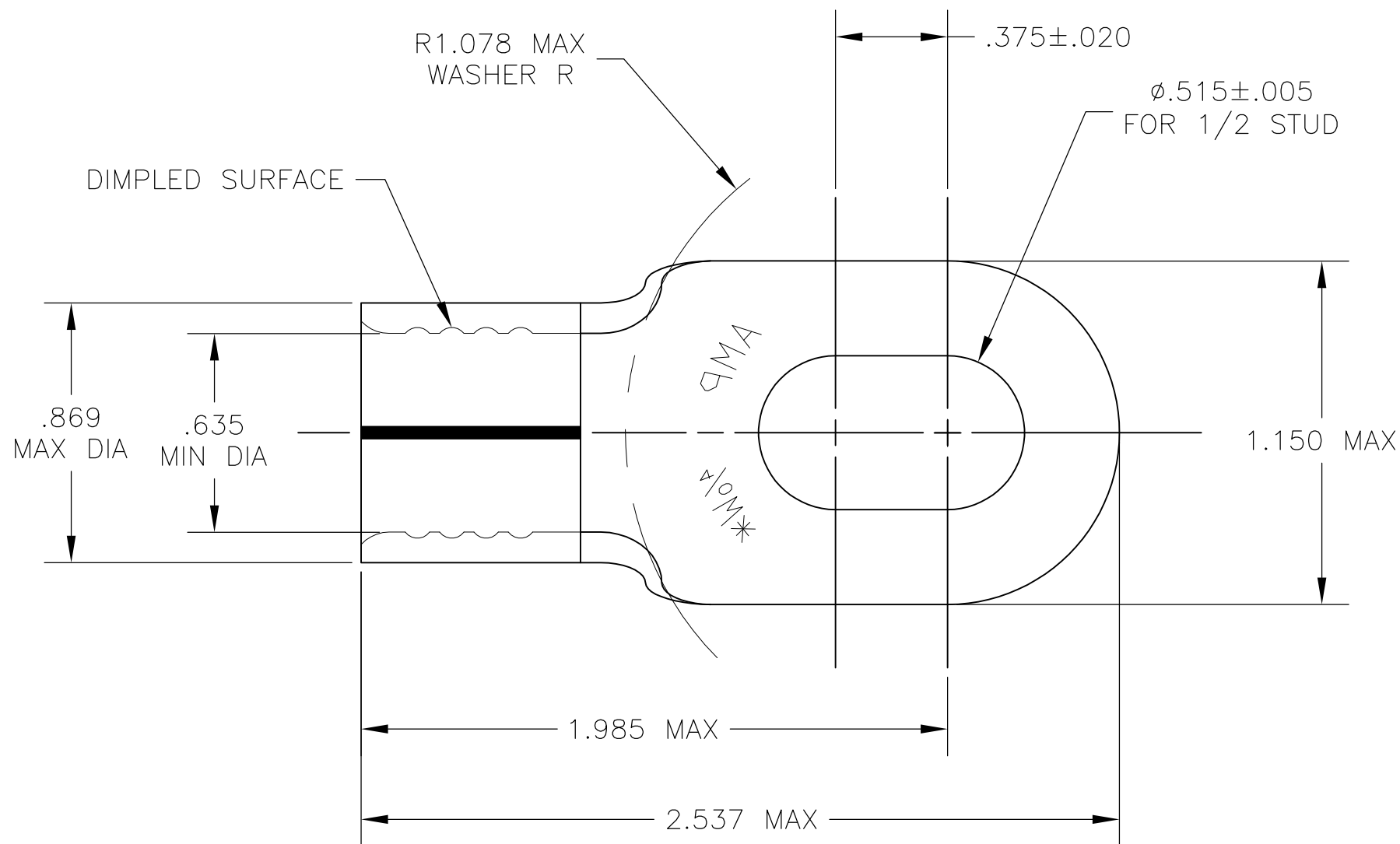


THIS DRAWING IS UNPUBLISHED. RELEASED FOR PUBLICATION
© COPYRIGHT BY TYCO ELECTRONICS CORPORATION. ALL RIGHTS RESERVED.

LOC	DIST	REVISIONS					
G	14	P	LTR	DESCRIPTION	DATE	DWN	APVD
		1		PROPOSED	04JUN07	JR	MS



- △1 .102±.003 THK COPPER PER ASTM B-152
- △2 TIN PLATE PER ASTM B-545, ANNEALED
- △3 PRELIMINARY - NOT FOR PRODUCTION

△3 1958134-1
PART NO

THIS DRAWING IS A CONTROLLED DOCUMENT.		DWN JR RUTH	04JUN07	Tyco Electronics Corporation Harrisburg, PA 17105-3608			
DIMENSIONS: INCHES		CHK MJ SPICER	04JUN07				
		APVD MJ SPICER	04JUN07	NAME WIRE TERMINAL, SOLISTRAND RING TONGUE, WIRE SIZE: 4/0			
TOLERANCES UNLESS OTHERWISE SPECIFIED:		PRODUCT SPEC		APPLICATION SPEC			
0 PLC ± - 1 PLC ± - 2 PLC ± - 3 PLC ± .008 4 PLC ± - ANGLES ± 1°		MATERIAL		SIZE	CAGE CODE	DRAWING NO	RESTRICTED TO
FINISH		- △1		A3 00779		C-1958134	-
CUSTOMER DRAWING				SCALE	SHEET	REV	
				2:1	1 OF 1	1	