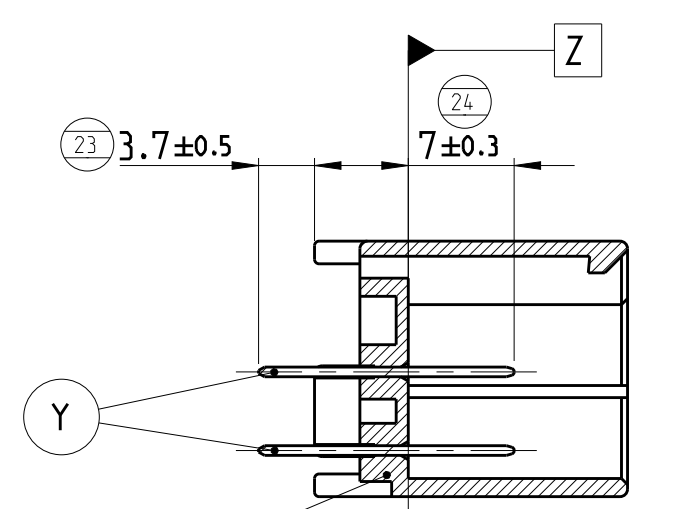
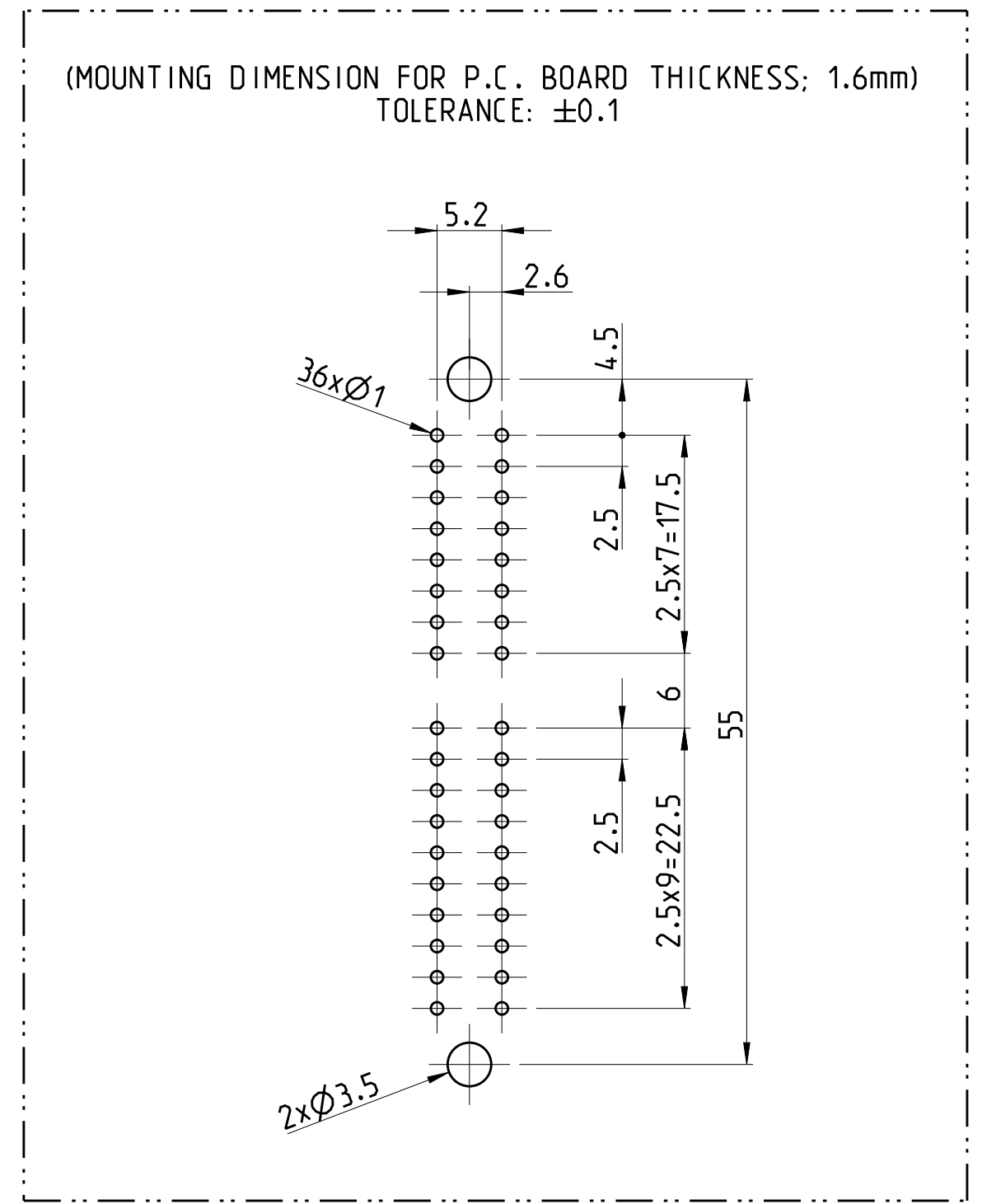
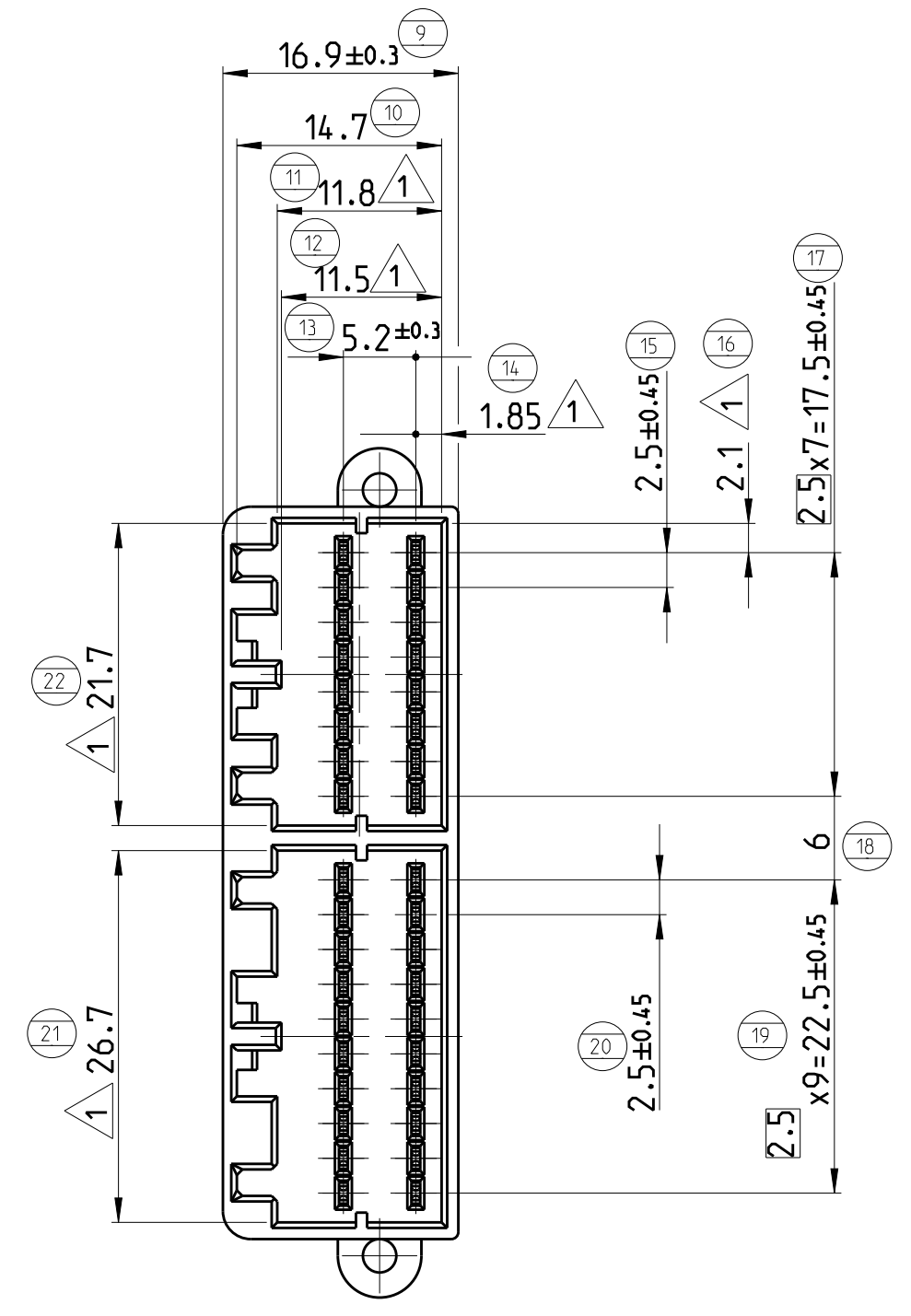
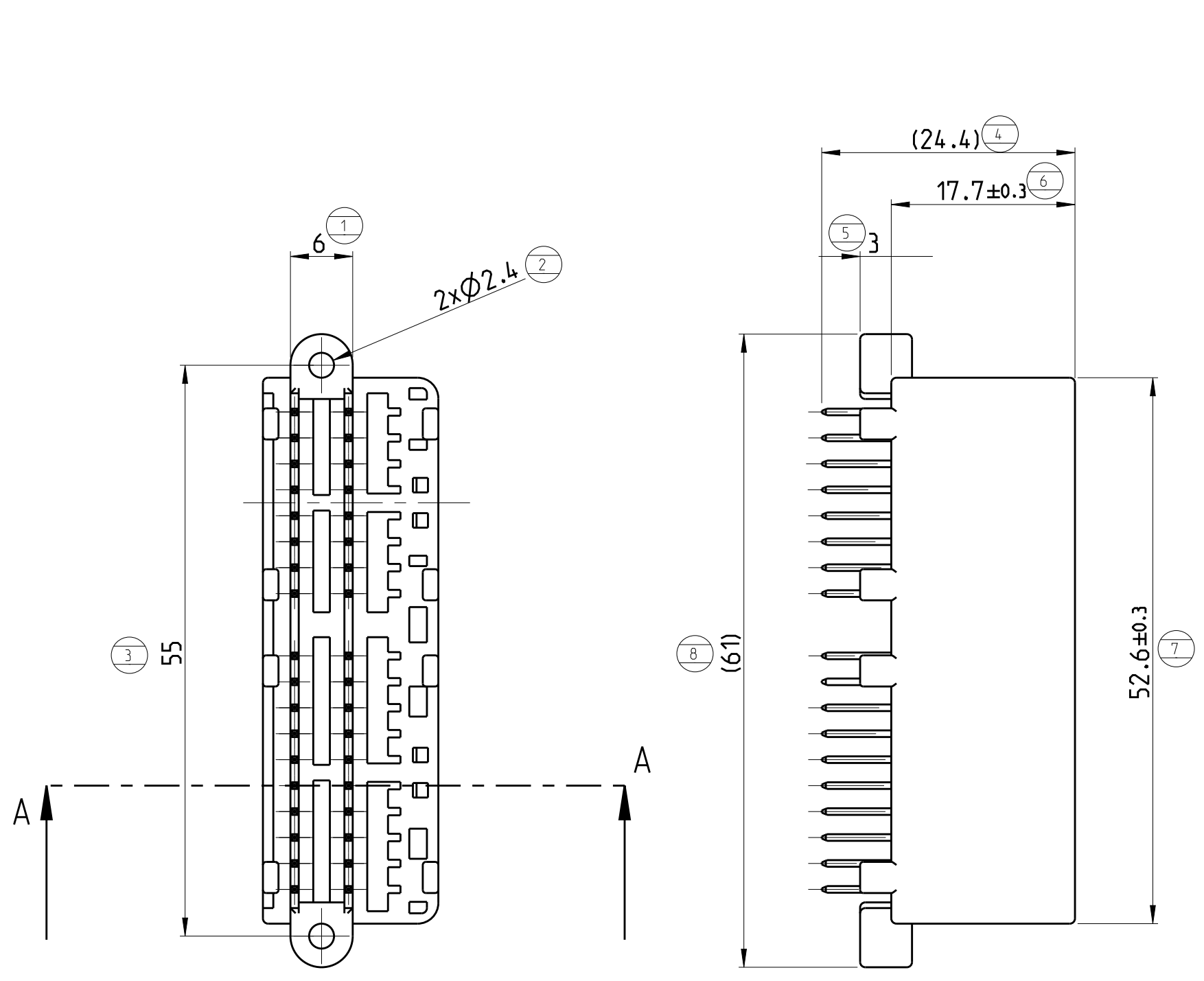


THIS DRAWING IS UNPUBLISHED. RELEASED FOR PUBLICATION 2009
 (C) COPYRIGHT 2009 ALL RIGHTS RESERVED.

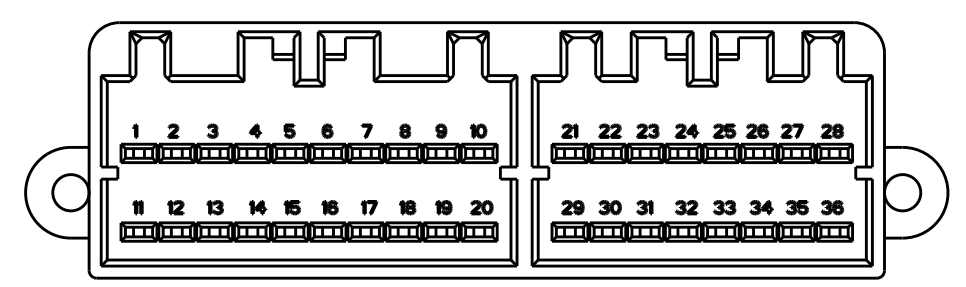
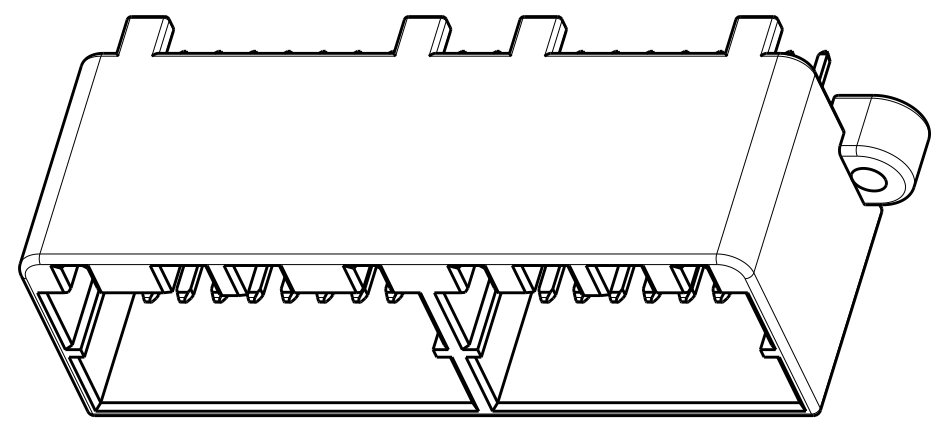
LOC		DIST		REVISIONS			
P	LTR	DESCRIPTION		DATE	DWN	APVD	
	A	INITIAL RELEASE		24 JUN2010	ABS	VV	
	A1	ECR-11-012020		09 JUN2011	SK	VV	
	A2	ECR-12-004771		13 MAR2012	ABS	VV	
	A3	ECR-13-002027		11 FEB2013	SK	VV	



SECTION. A-A

- 1 TO BE MEASURED WITH IN 2mm FROM -Z-
- 2. RECOMMENDED MOUNTING SCREW 3mm DIA 6mm LENGTH(MIN) TAPPING SCREW SPECIFIED IN JIS B1115, B1122 (TIGHTENING TORQUE; 4Kg-CM MAX)
- 3. APPLICABLE PRODUCT SPEC NO. 108-5281
- 4. CIRCUIT NUMBER; SEE FIG 1
- 5. THE MATING PLUG HOUSING PART NUMBER: 175966, 175967
- 6. PRODUCT SPEC SIMILAR TO PART NUMBER 175977-X

1952062-1 AS SHOWN



4 FIG 1

36	Y	BRASS	SELECTIVE-TIN (BRT/MATTE)	040 TAB	040 MLC MK-II 36POS CAP ASSY V TIN	1952062-1	1
1	X	PBT GF-30	BLACK	36Pos. CAP HOUSING			
QTY.	ITEM NUMBER	MATERIAL	COLOR/FINISH	PART DESCRIPTION	ASSY. DESCRIPTION	ASSY. PART NUMBER	SL. NO

THIS DRAWING IS A CONTROLLED DOCUMENT.

DIMENSIONS: mm	TOLERANCES UNLESS OTHERWISE SPECIFIED:	DWN Ashwath B S 24 JUN10	TE Connectivity NAME 36Pos. CAP HOUSING ASS'Y .040 SRSIES MULTI-LOCK I/O CONN. MK-II
	0 PLC ±0.5	CHK Vinod viswanath 24 JUN10	
	1 PLC ±0.2	APVD Vinod viswanath 24 JUN10	
	2 PLC ±0.1	PRODUCT SPEC	
	3 PLC ±	APPLICATION SPEC	SIZE CAGE CODE DRAWING NO RESTRICTED TO
	4 PLC ANGLES ±	WEIGHT 11g	A2 00779 C-1952062
MATERIAL SEE TABLE	COLOR/FINISH SEE TABLE	CUSTOMER DRAWING	SCALE 2:1 SHEET 1 OF 1 REV A3