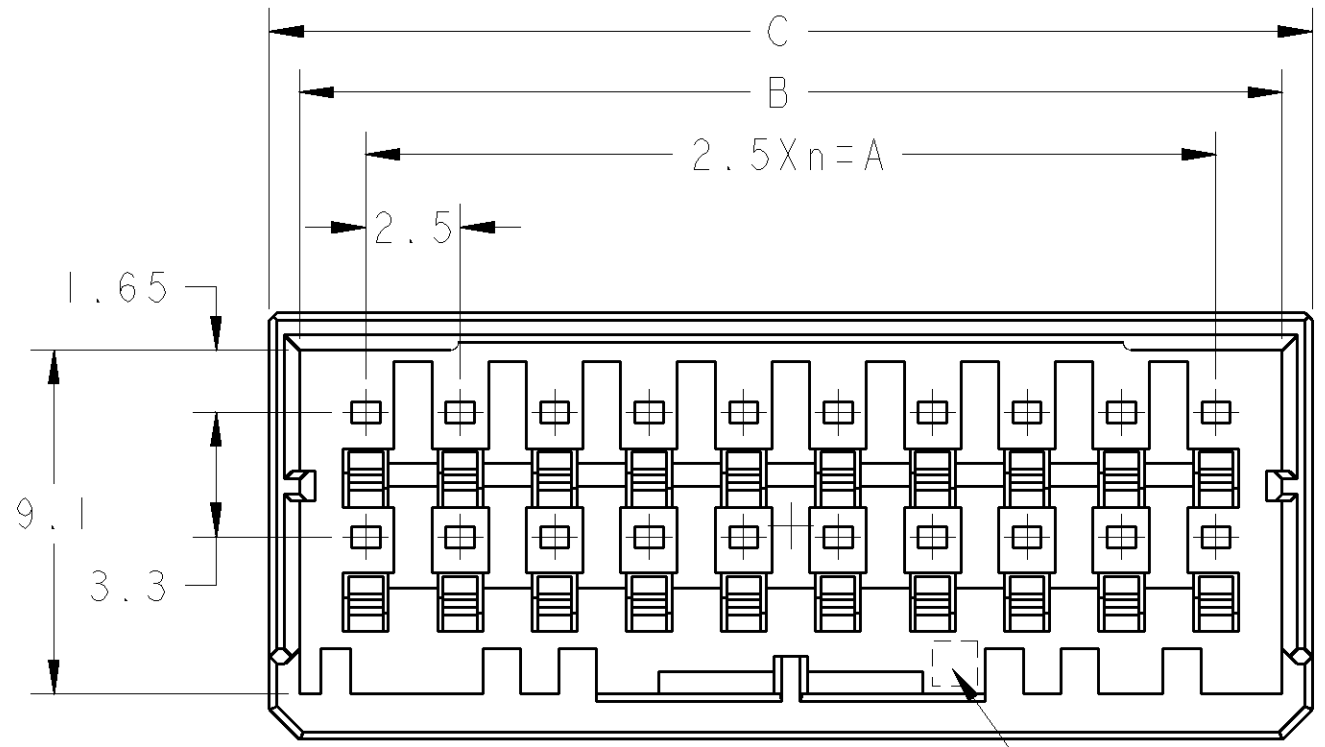
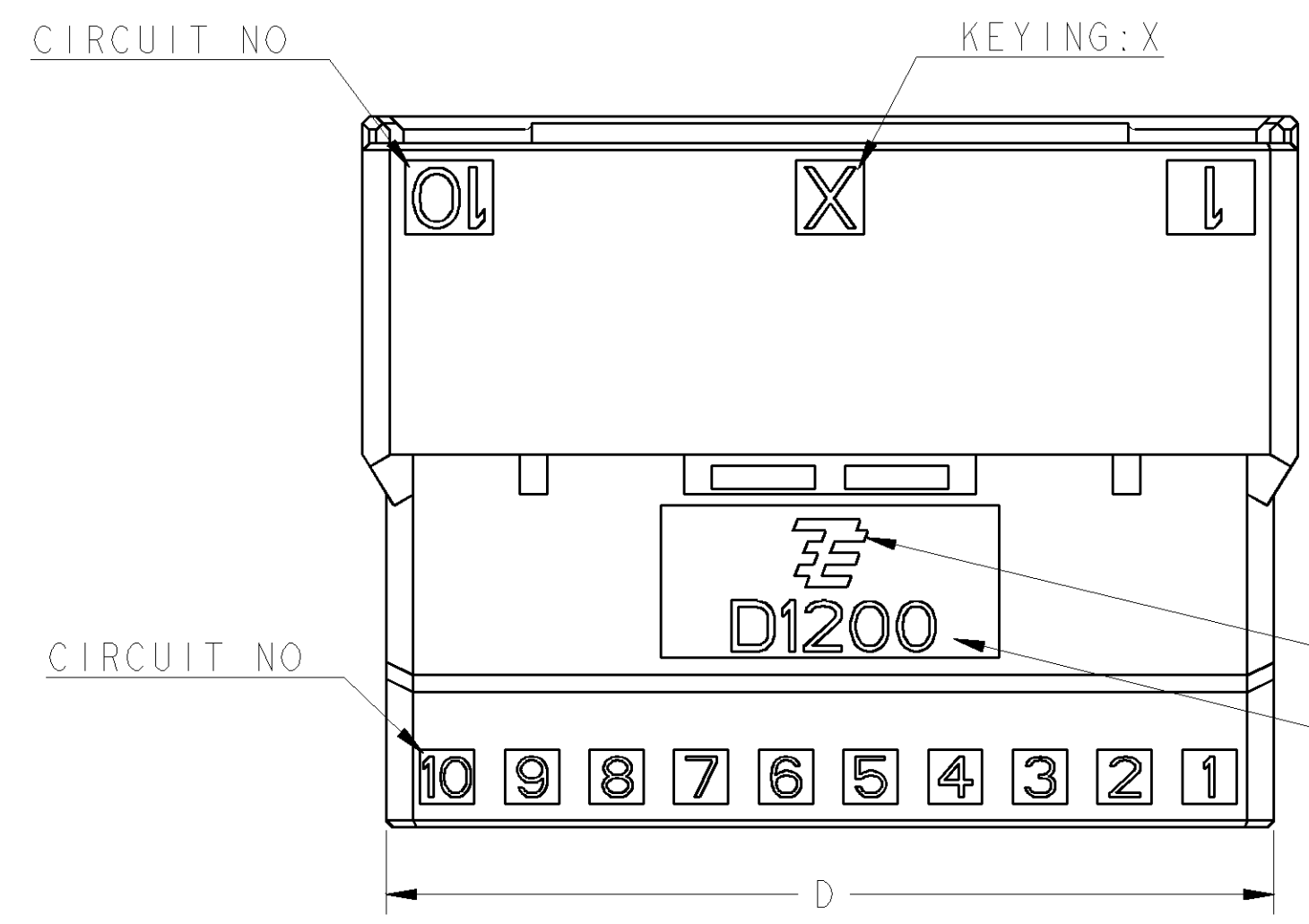


THIS DRAWING IS UNPUBLISHED. RELEASED FOR PUBLICATION 2007  
 © COPYRIGHT 2007 BY TYCO ELECTRONICS CORPORATION. ALL INTERNATIONAL RIGHTS RESERVED.

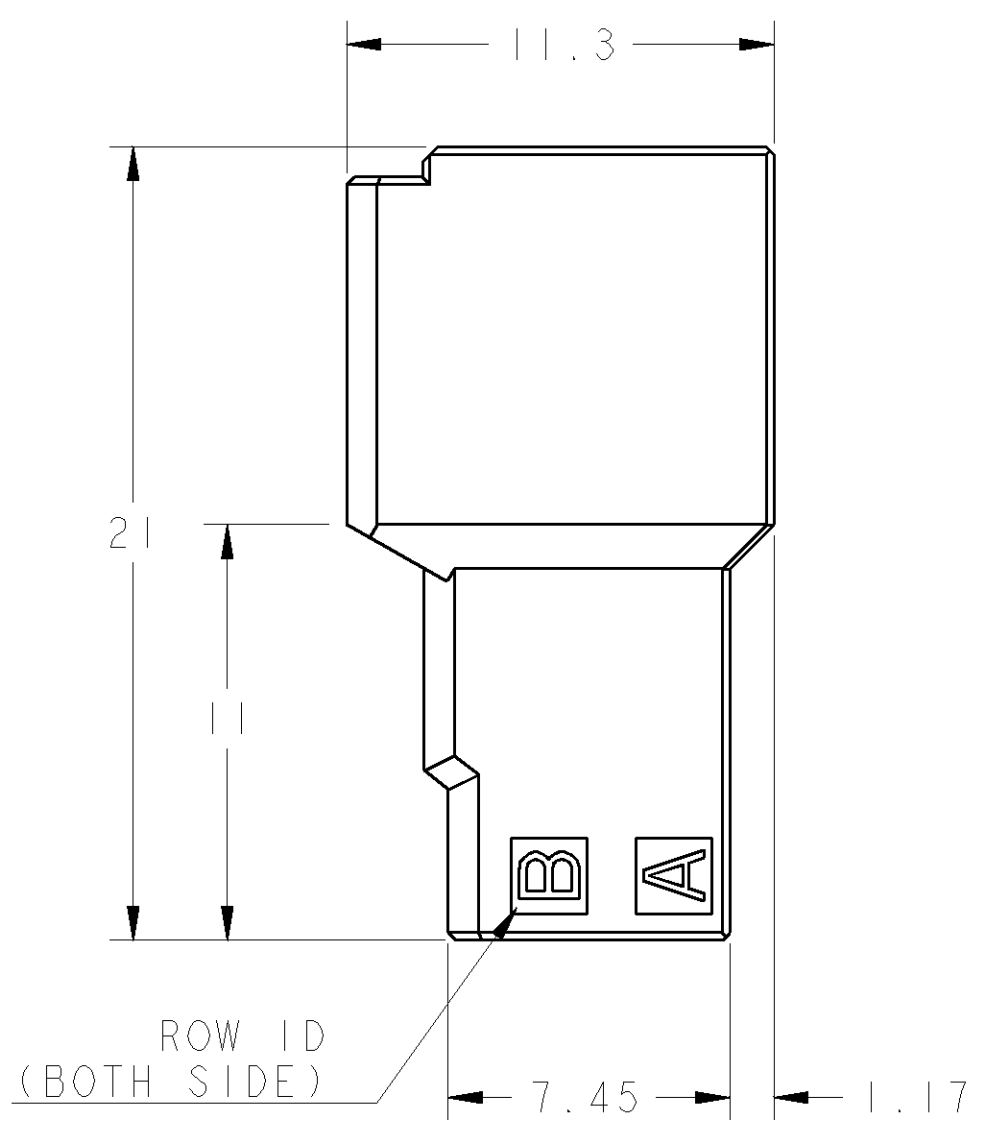
LOC		DIST		REVISIONS			
P	LTR	DESCRIPTION	DATE	DWN	APVD		
	B	REVISED ECR-10-016584	10AUG2010	T.T	T.M		



CAVITY MARK  
(ALPHABET: CAPITAL LETTER)



LOGO MARK  
SERIES CODE



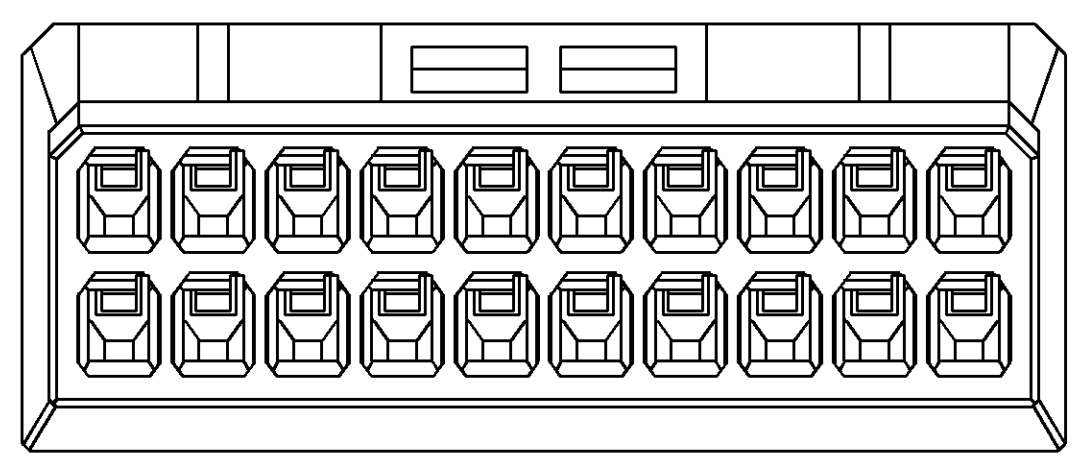
△ MATERIAL: GLASS FILED THERMO PLASTIC POLYESTER(94V-0)  
 COLOR: EXCLUDING THE BLACK  
 2. THE SHAPE, SIZE AND POSITION OF THE CHARACTER SHOW THE OUTLINE. THEY DON'T SHOW DETAILS.

△ 材料: ガラス入り熱可塑性ポリエステル樹脂(94V-0), 色: 黒以外  
 2. 文字の形状、大きさ、および位置については、大略を示すものであり、詳細を示すものではありません。

AS SHOWN 20POS

1-1939796-□ : NATURAL (X-KEY)  
 2-1939796-□ : NATURAL (Y-KEY)

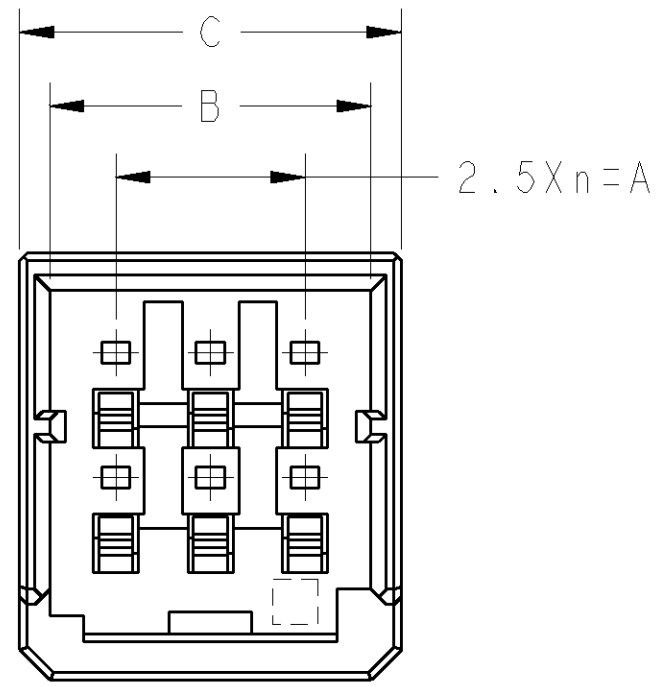
POS	KEY	n	A	B	C	D	PART NO
6	Y	2	5.0	8.5	10.1	8.7	2-1939796-3 (NATURAL)
6	X	2	5.0	8.5	10.1	8.7	1-1939796-3 (NATURAL)



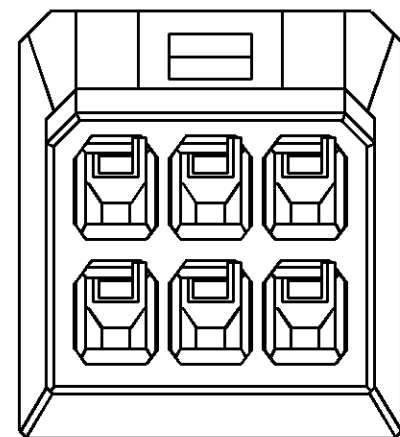
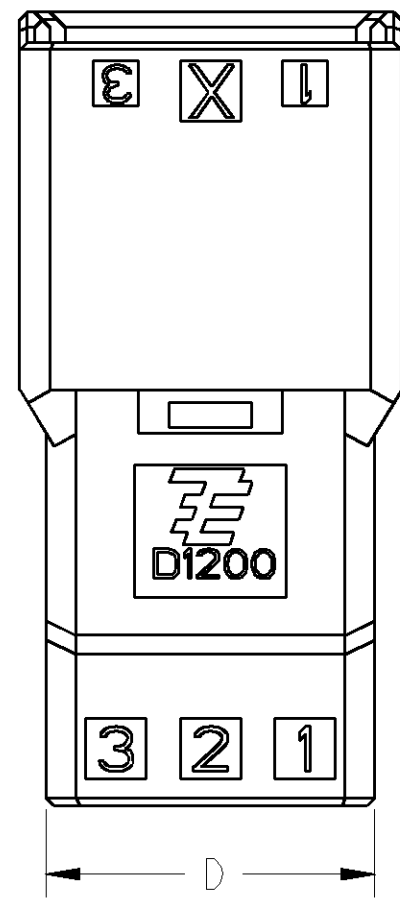
THIS DRAWING IS A CONTROLLED DOCUMENT FOR TYCO ELECTRONICS CORPORATION IT IS SUBJECT TO CHANGE AND THE CONTROLLING ENGINEERING ORGANIZATION SHOULD BE CONTACTED FOR THE LATEST REVISION.		DWN M. MAEBASHI 25APR2007 CHK T. KUDO 25APR2007 APVD D. MITSUGI 25APR2007	Tyco Electronics Corporation Kawasaki, Japan
DIMENSIONS: 単位: 概 mm	TOLERANCES UNLESS OTHERWISE SPECIFIED: 一般公差 ±0.3, ±3° 0-PLC ± 1-PLC ± 2-PLC ± 3-PLC ± 4-PLC ± ANGLES ± FINISH 仕	PRODUCT SPEC 108-78268, 78298 APPLICATION SPEC 114-5377	NAME DYNAMIC D1200D 2.5mm PITCH TAB HSG FREE HANGING TYPE COLOR 4-20POS
MATERIAL		WEIGHT	SIZE CAGE CODE DRAWING NO
			A200779 C-1939796
CUSTOMER DRAWING		SCALE 5:1	SHEET 1 OF 2 REV B

THIS DRAWING IS UNPUBLISHED. RELEASED FOR PUBLICATION 200  
 © COPYRIGHT 200 BY TYCO ELECTRONICS CORPORATION. ALL INTERNATIONAL RIGHTS RESERVED.

LOC	DIST	REVISIONS					
J		P	LTR	DESCRIPTION	DATE	DWN	APVD
		-		SEE SHEET 1	-	-	-



6POS(X-KEY):1-1939796-3



<small>THIS DRAWING IS A CONTROLLED DOCUMENT FOR TYCO ELECTRONICS CORPORATION. IT IS SUBJECT TO CHANGE AND THE CONTROLLING ENGINEERING ORGANIZATION SHOULD BE CONTACTED FOR THE LATEST REVISION.</small>		DWN M. MAEBASHI 25APR2007 CHK T. KUDO 25APR2007 APVD D. MITSUGI 25APR2007	<b>Tyco Electronics</b> Tyco Electronics Corporation Kawasaki, Japan	
DIMENSIONS: mm	TOLERANCES UNLESS OTHERWISE SPECIFIED: 0 PLC ± 1 PLC ± 2 PLC ± 3 PLC ± 4 PLC ± ANGLES ± FINISH	PRODUCT SPEC 108-78268, 78298 APPLICATION SPEC 114-5377 WEIGHT	NAME DYNAMIC D1200D 2.5mm PITCH TAB HSG FREE HANGING TYPE COLOR 4-20POS SIZE CAGE CODE DRAWING NO RESTRICTED TO A200779 C-1939796	
MATERIAL		CUSTOMER DRAWING		SCALE 5:1 SHEET 2 OF 2 REV B