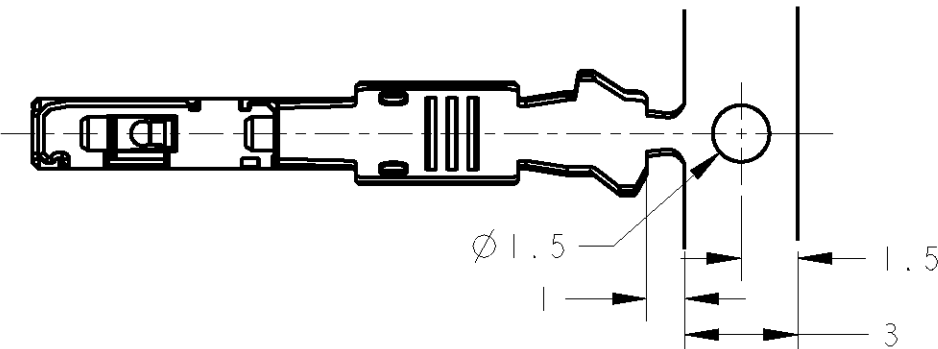
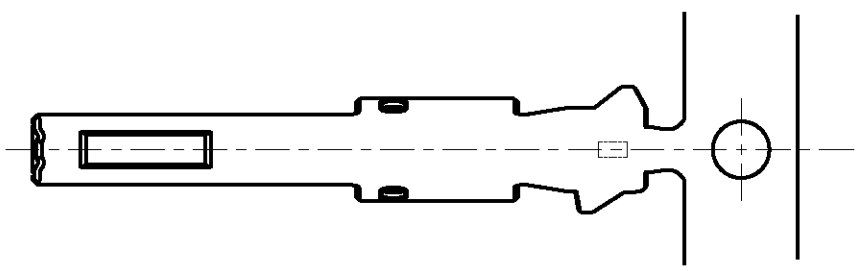
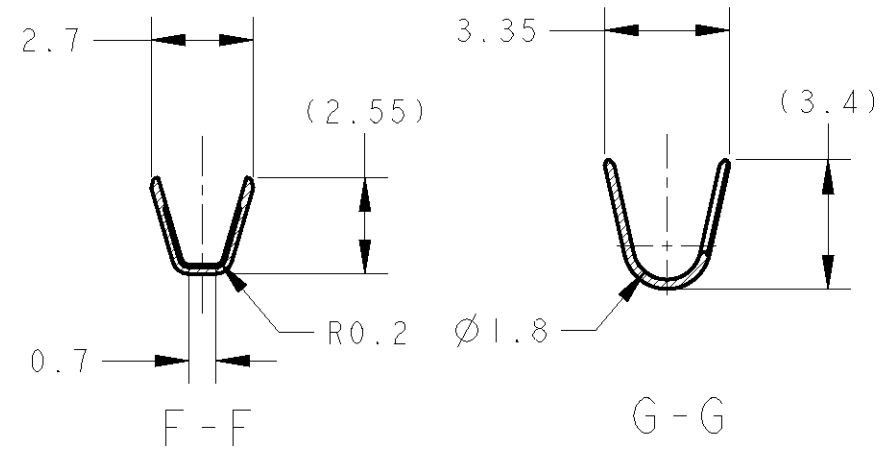
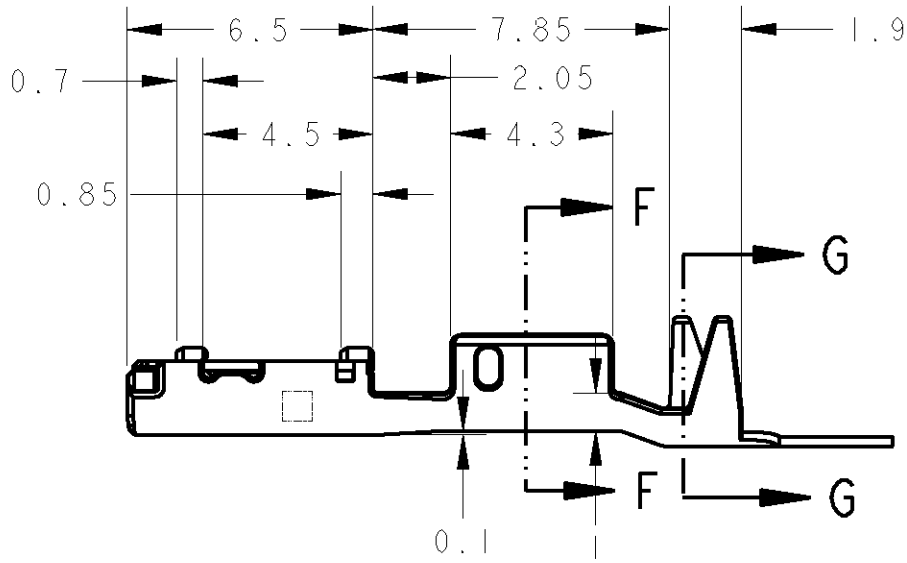
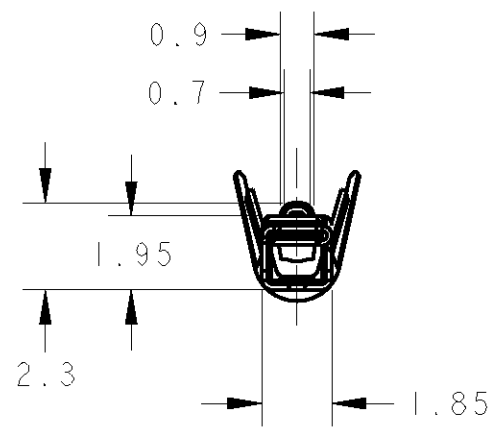


THIS DRAWING IS UNPUBLISHED. RELEASED FOR PUBLICATION 20
 © COPYRIGHT 20 BY TYCO ELECTRONICS CORPORATION. ALL RIGHTS RESERVED.

LOC	DIST	REVISIONS					
		P	LTR	DESCRIPTION	DATE	DWN	APVD
J	-	A		RELEASED	19MAR09	TA	HY



AS SHOWN: - 1
 本図: - 1



1. APPLICABLE WIRE RANGE:
 AESSX/AVSSH/AVSS 0.75~1.25mm²
 AVSS 0.85~1.25mm²
 2. APPLICATOR FEED: 10.2mm
1. 適用電線: AESSX/AVSSH 0.75~1.25mm²
 AVSS 0.85~1.25mm²
 2. アプリケータ送りピッチ: 10.2mm

THIS DRAWING IS A CONTROLLED DOCUMENT FOR TYCO ELECTRONICS CORPORATION
 IT IS SUBJECT TO CHANGE AND THE CONTROLLING ENGINEERING ORGANIZATION
 SHOULD BE CONTACTED FOR THE LATEST REVISION.

DIMENSIONS: 単位: ㎜ mm	TOLERANCES UNLESS OTHERWISE SPECIFIED: 一般公差 ±0.3 0-PLC ± 1-PLC ±0.5 2-PLC ±0.13 3-PLC ±0.013 4-PLC ±0.001 ANGLES ±3'00"
MATERIAL 材料 Cu Alloy	FINISH 仕上 PRE-TIN

DWN T. AKIGUCHI 26NOV08	INSULATION DIA 絶縁電線外径 φ1.8~φ2.2
CHK R. KOMIYAMA 26NOV08	Tyco Electronics Corporation Kawasaki, Japan
APVD H. YAMAGAMI 26NOV08	NAME 名称 SEALED 1.0 RECEPTACLE CONTACT
PRODUCT SPEC 108-78518	SIZE A3
APPLICATION SPEC 取付適用規格 114-5400	CAGE CODE 00779
WEIGHT 0.27 g	DRAWING NO C=1939351
CUSTOMER DRAWING	RESTRICTED TO -

SCALE 尺度 5:1	SHEET 1	OF 1	REV A
-----------------	------------	---------	----------