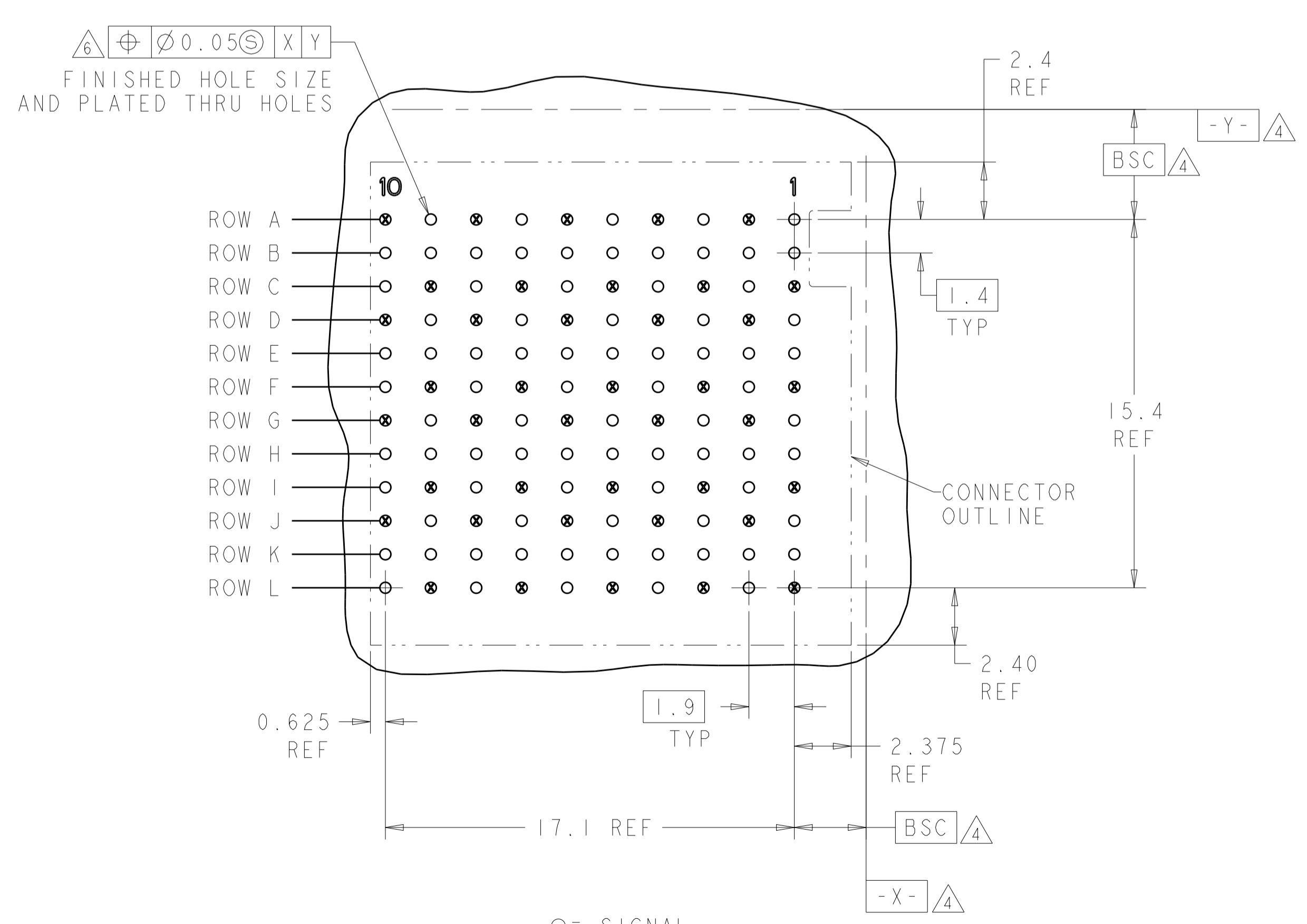
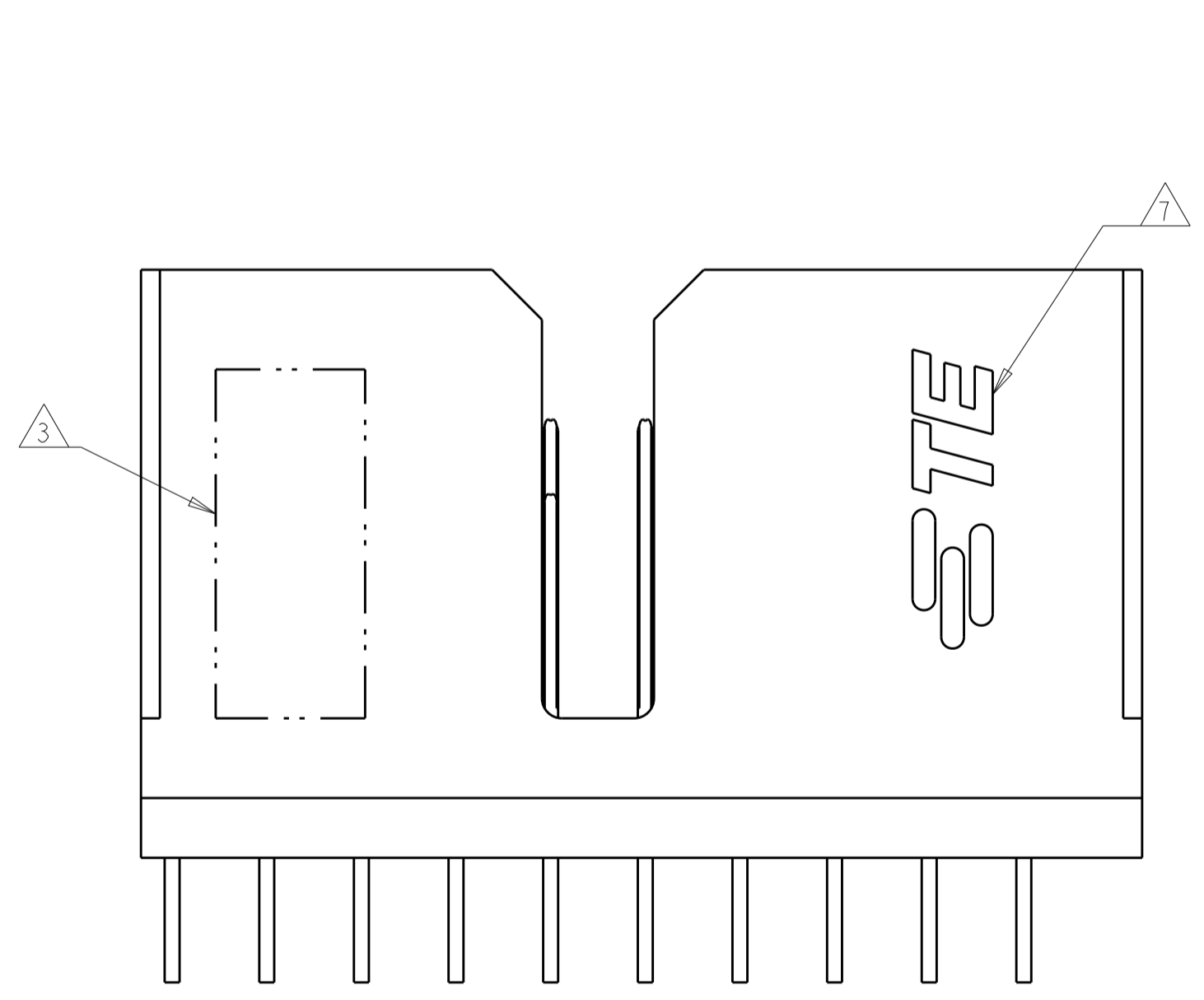
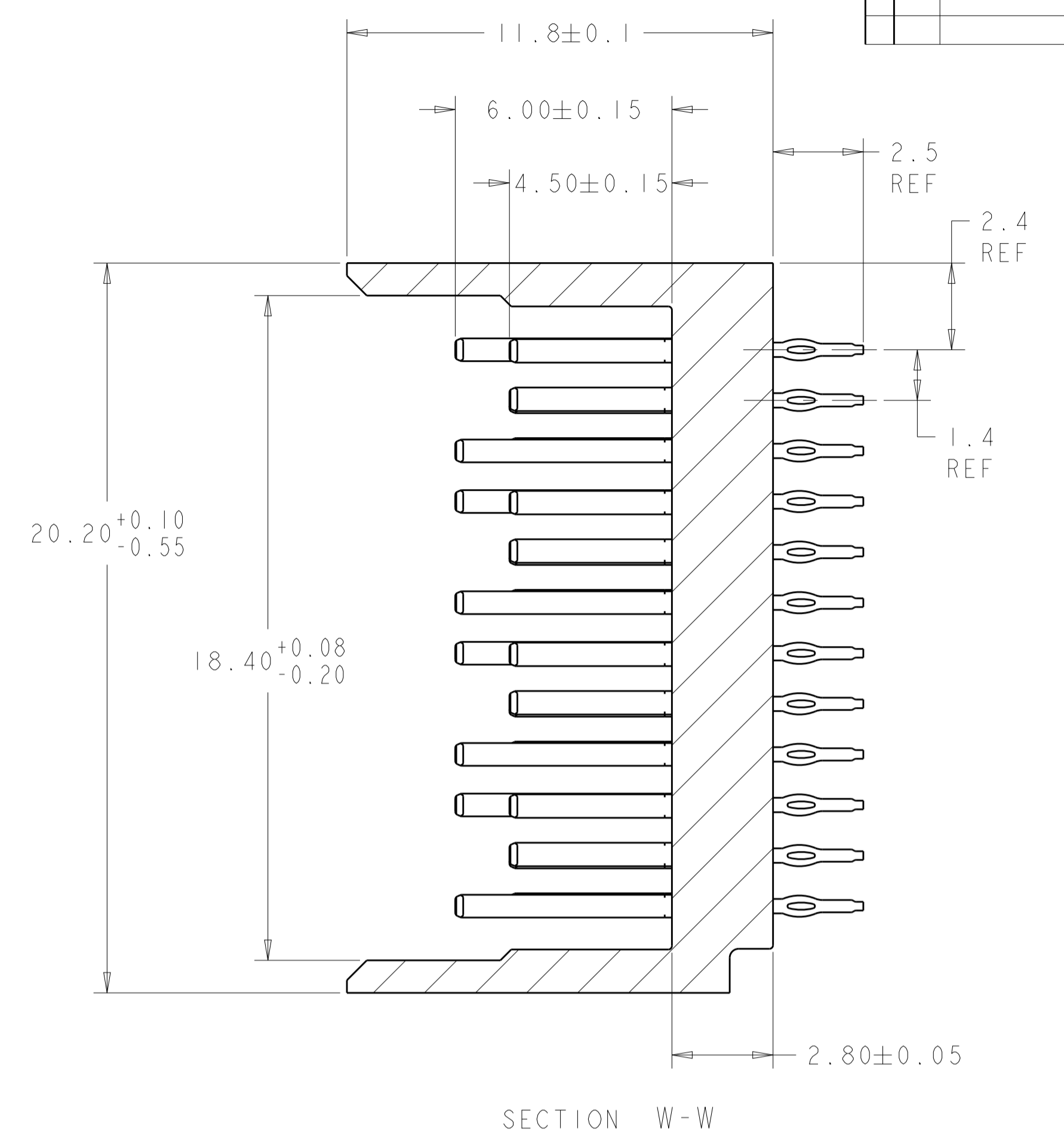
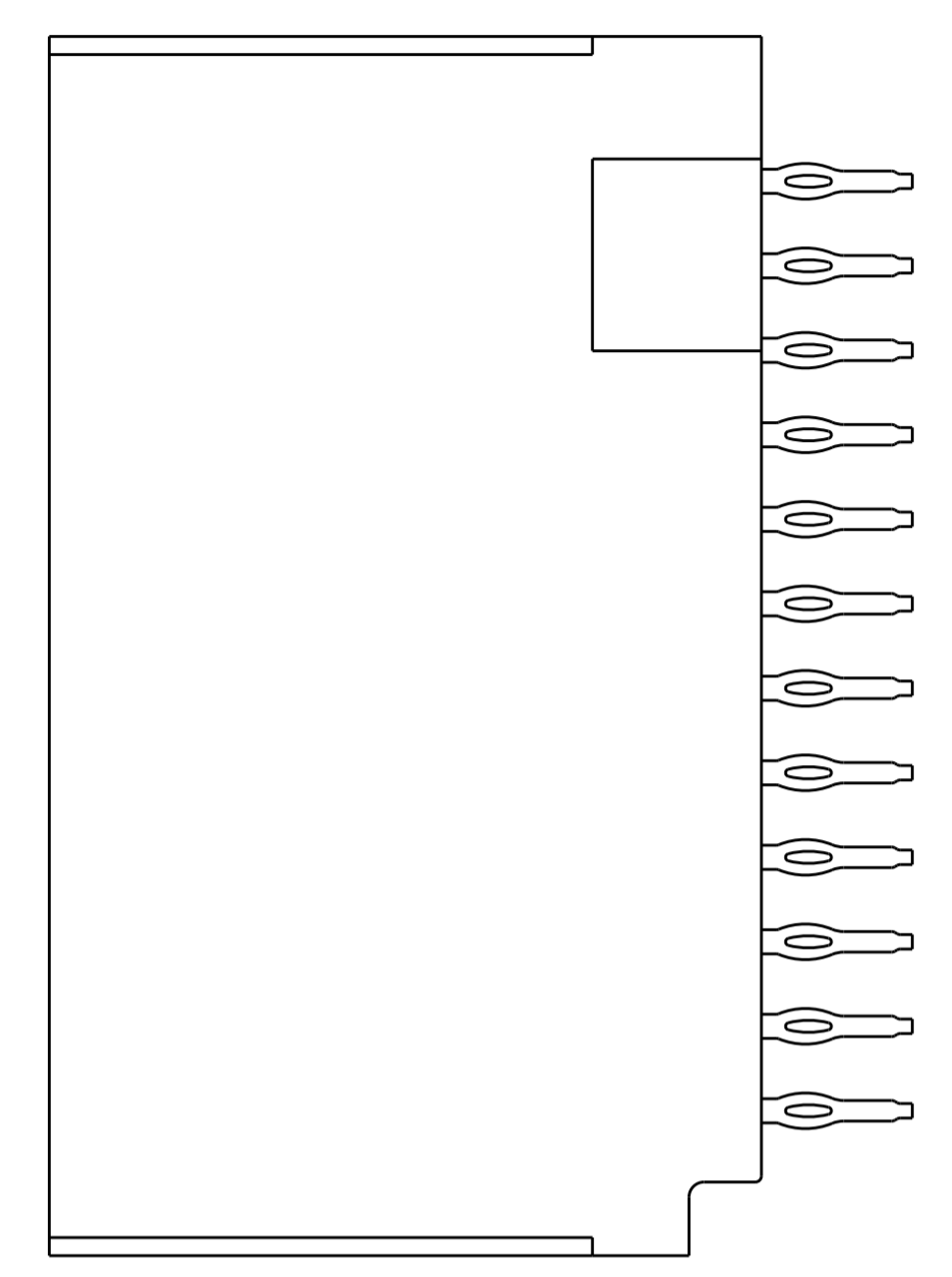
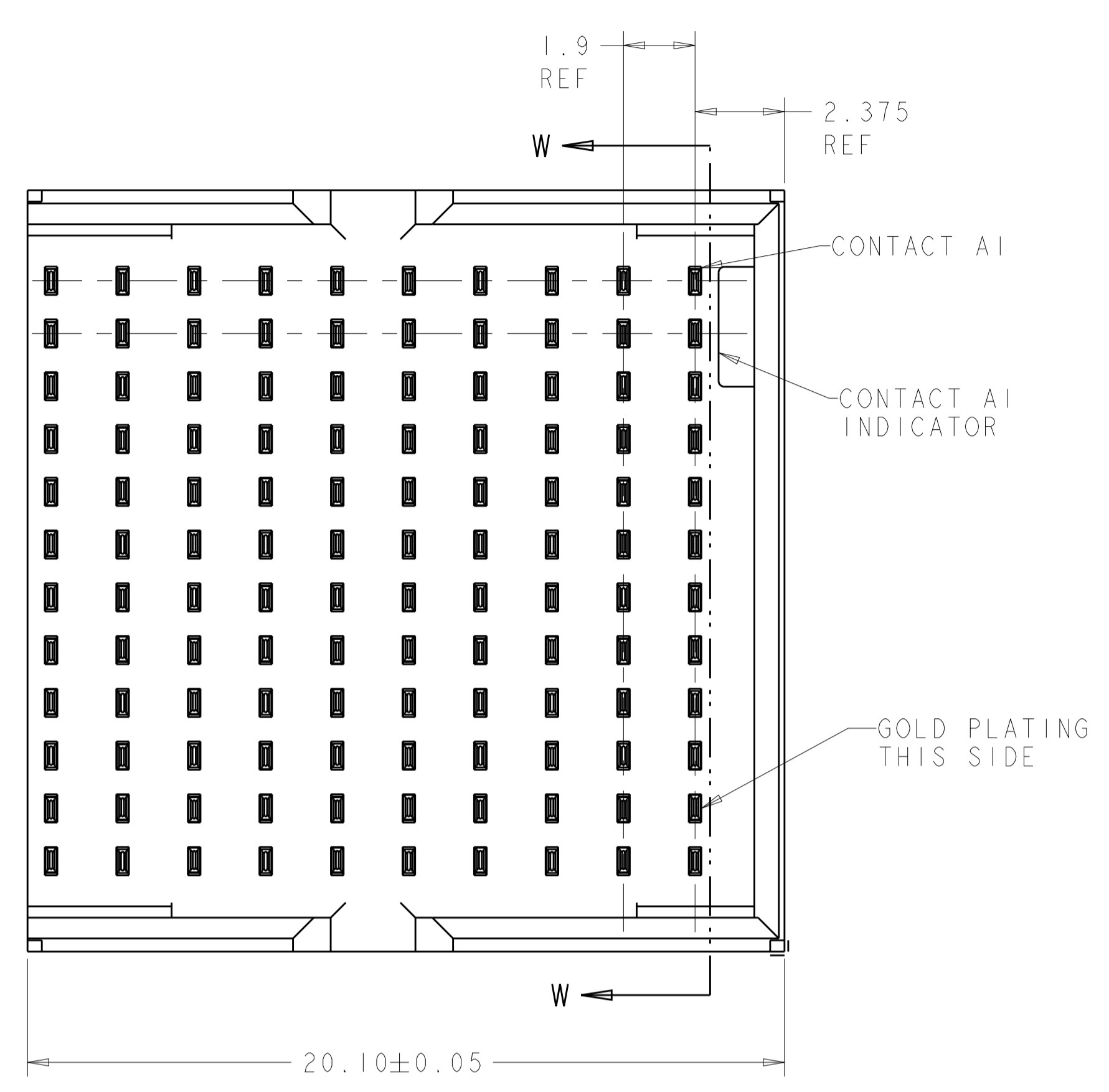


LOC	DIST	REVISIONS			
GP	00	REV	DATE	BY	APPV
		D	REVISD PER ECO-13-002771	23FEB2013	KH RP
		E	REVISD PER ECO-19-009248	28JUN2019	AP SY



- 1 MATERIAL:  
CONTACT - PHOS BRONZE  
HOUSING - LCP, UL 94V-0, COLOR - BLACK
- 2 FINISH:  
CONTACT AREA FINISH CONFORMS TO THE REQUIREMENTS OF TE PRODUCT SPECIFICATION 108-2303; BASED ON TELCORDIA GR-1217-CORE FOR SYSTEM QUALITY LEVEL III, APPLICATIONS IN CONTROLLED ENVIRONMENTS (CENTRAL OFFICE).  
COMPLIANT PIN AREA- 0.5µm MIN MATTE TIN OVER 1.27µm MIN NICKEL.
- 3 CONNECTOR MARKED WITH PART NUMBER, DATE CODE AND STANDARD IN APPROXIMATE AREA SHOWN
- 4 DATUMS AND BASIC DIMENSIONS ESTABLISHED BY CUSTOMER.
- 5. CONTACT AREA LUBRICATED WITH BELLCORE APPROVED LUBRICANT. TECHNICAL REFERENCE GR-1217-CORE, ISSUE 1, NOVEMBER 1995.
- 6 REFERENCE APPLICATION SPEC 114-13202 FOR RECOMMENDED PLATED THRU HOLE DIAMETER AND PLATING THICKNESSES.
- 7 SHOWN LOGO OR OTHER TE OWNED LOGOS IN APPROXIMATE AREA.

○ = SIGNAL  
 ⊗ = GROUND  
 RECOMMENDED PCB BOARD LAYOUT BACKPLANE, COMPONENT SIDE SHOWN  
 SCALE 6:1

1934313-1  
 PART NUMBER

THIS DRAWING IS A CONTROLLED DOCUMENT.		OWN B. MCMASTER 14JUN2007	NAME
DIMENSIONS:		CHK W. DAVIS 14JUN2007	TE Connectivity
mm	TOLERANCES UNLESS OTHERWISE SPECIFIED:	APVD W. DAVIS 14JUN2007	PRODUCT SPEC
0 PLC	±	APPLICATION SPEC	HEADER ASSEMBLY, LEFT WALL, 4 PAIR 10 COLUMN TinMan
1 PLC	±	WEIGHT	SIZE CAGE CODE DRAWING NO RESTRICTED TO
2 PLC	±	CUSTOMER DRAWING	A100779C=1934313
3 PLC	±	SCALE 10:1	SHEET 1 OF 1
4 PLC	±	REV E	
ANGLES	±		
FINISH	±		