

4

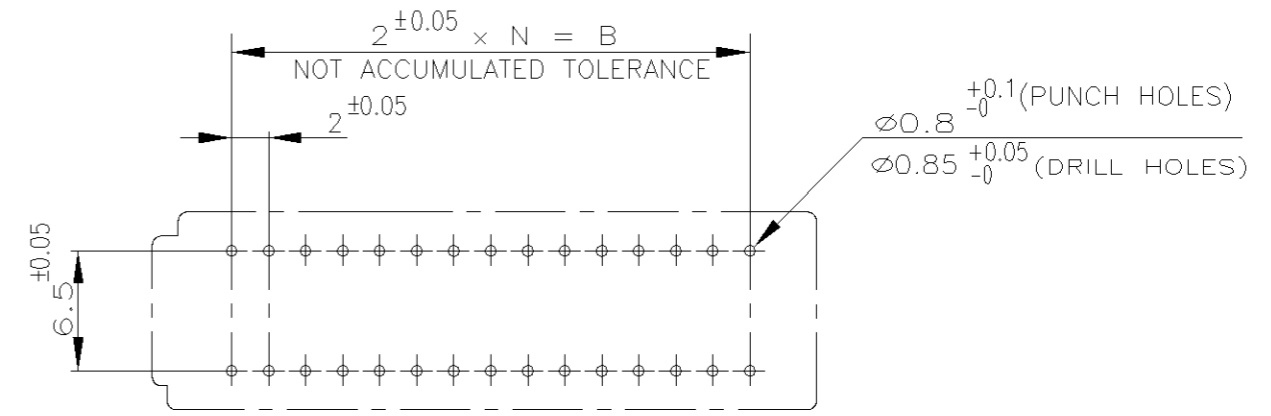
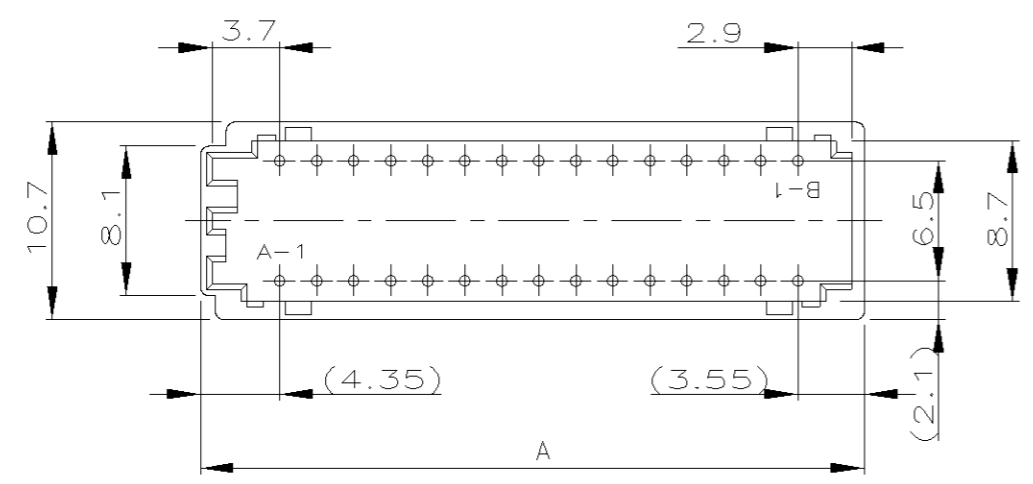
3

2

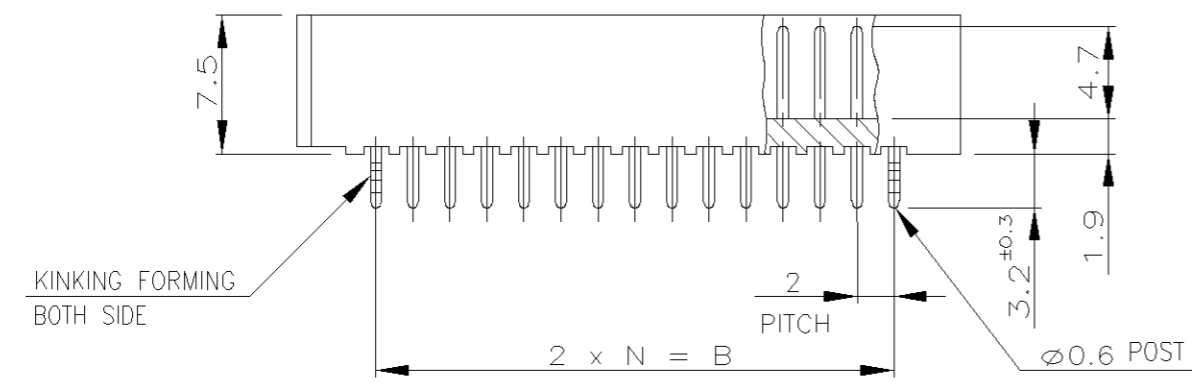
1

THIS DRAWING IS UNPUBLISHED. RELEASED FOR PUBLICATION
 © COPYRIGHT BY TYCO ELECTRONICS CORPORATION. ALL RIGHTS RESERVED.

LOC	DIST	REVISIONS					
ES	00	P	LTR	DESCRIPTION	DATE	DWN	APVD
		A		RELEASED ECR-08-022815	10SEP08	L.L	S.Y



RECOMMENDABLE P.C.B MOUNTING DIMENSIONS
 (CONNECTOR MOUNT SIDE)
 (PCB THK=1.6)



NOTE

1. MATERIAL : HOUSING / GLASS FILLED NYLON UL94V-0 NATURAL
 ∅0.6 POST / TIN BRASS 3/4H

27.9	20.0	10	22	2-1932169-2
23.9	16.0	8	18	1-1932169-8
A	B	N	Pos	P/N

TOLERANCES UNLESS OTHERWISE SPECIFIED:

10 > *	:	±0.2
30 > * > 10	:	±0.25
100 > * > 30	:	±0.3
ANGLE	:	±3°

THIS DRAWING IS A CONTROLLED DOCUMENT.		DWN	L.LIN	10SEP08	Tyco Electronics Corporation SHANGHAI, CHINA												
DIMENSIONS: MM		CHK	S.YAO	10SEP08													
TOLERANCES UNLESS OTHERWISE SPECIFIED:		APVD	S.YAO	10SEP08	NAME CT DOUBLE ROW CONNECTOR(HIGH TEMP) W/O BOSS POST HEADER (VERTICAL)												
<table border="1"> <tr><td>0 PLC</td><td>± -</td></tr> <tr><td>1 PLC</td><td>± -</td></tr> <tr><td>2 PLC</td><td>± -</td></tr> <tr><td>3 PLC</td><td>± -</td></tr> <tr><td>4 PLC</td><td>± -</td></tr> <tr><td>ANGLES</td><td>± -</td></tr> </table>		0 PLC	± -	1 PLC			± -	2 PLC	± -	3 PLC	± -	4 PLC	± -	ANGLES	± -	PRODUCT SPEC 108-60020	
0 PLC	± -																
1 PLC	± -																
2 PLC	± -																
3 PLC	± -																
4 PLC	± -																
ANGLES	± -																
MATERIAL: SEE NOTE		FINISH: SEE NOTE		APPLICATION SPEC	CAGE CODE	00779											
		WEIGHT: -		RESTRICTED TO	DRAWING NO	1932169											
		CUSTOMER DRAWING		SCALE	NTS	SHEET 1 OF 1											
				REV	A												