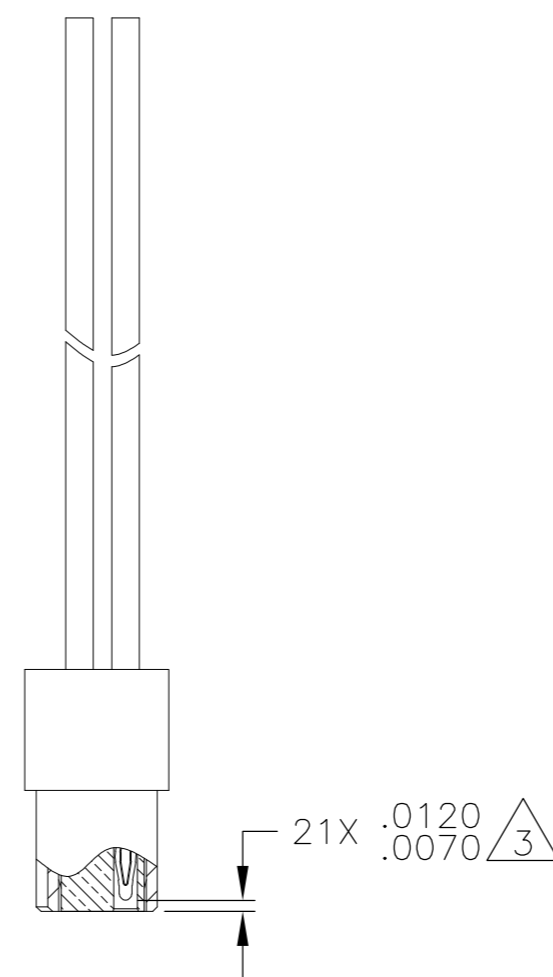
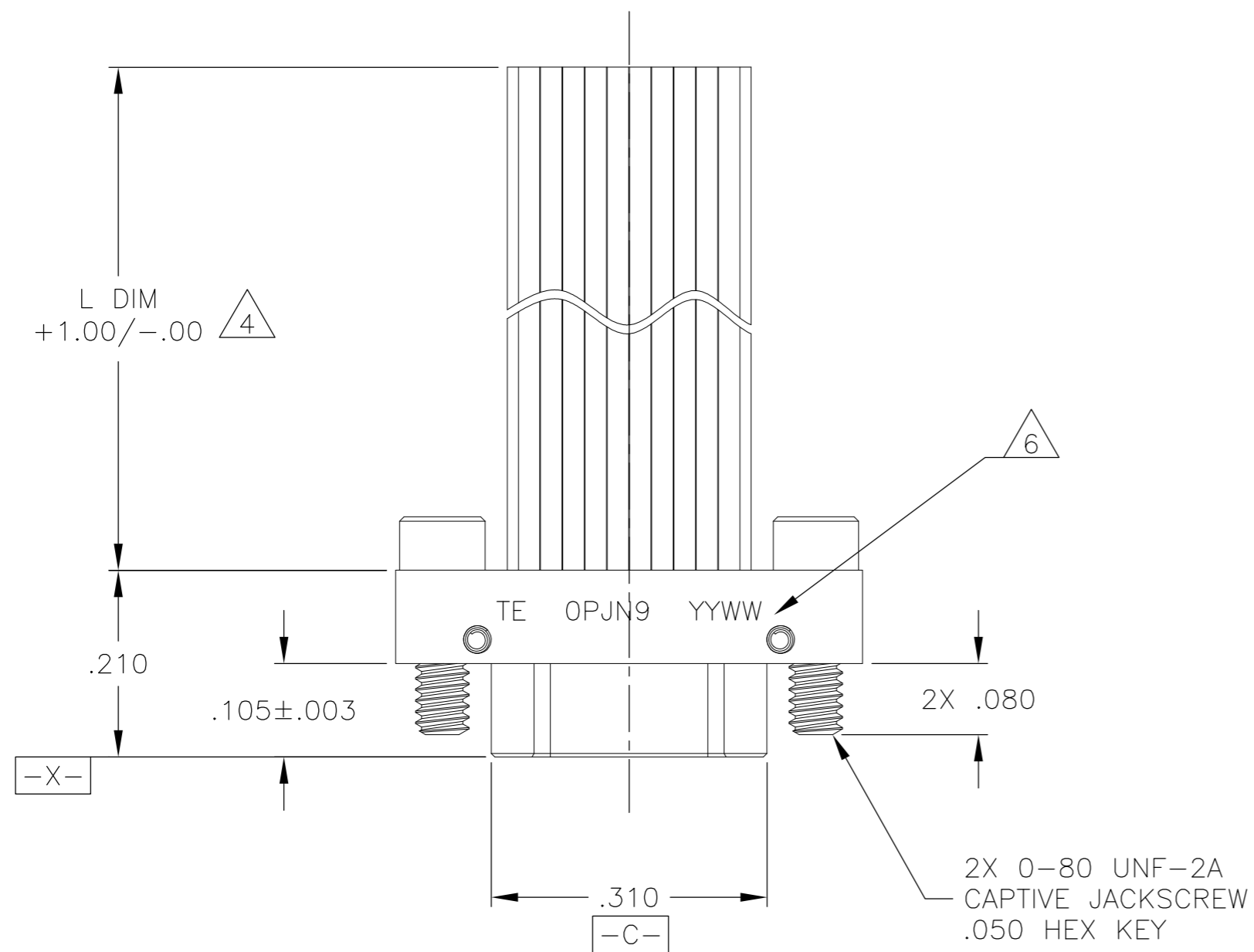
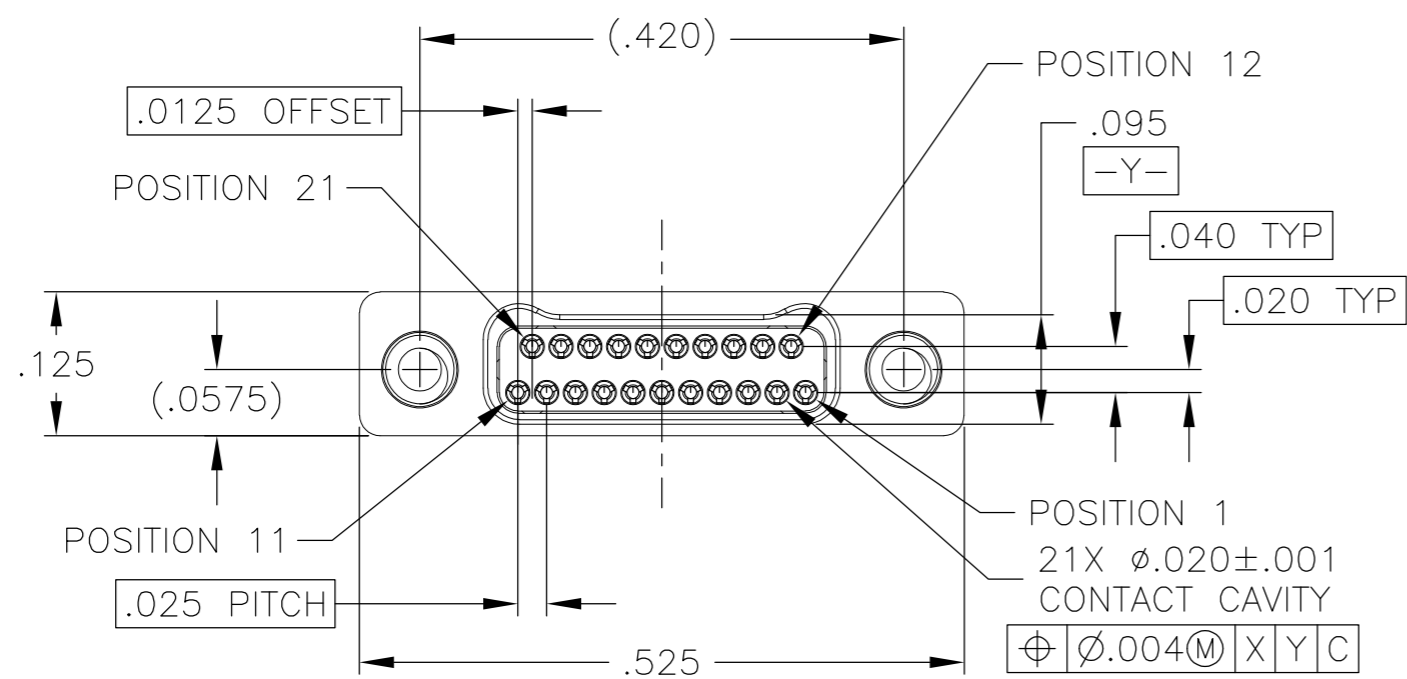
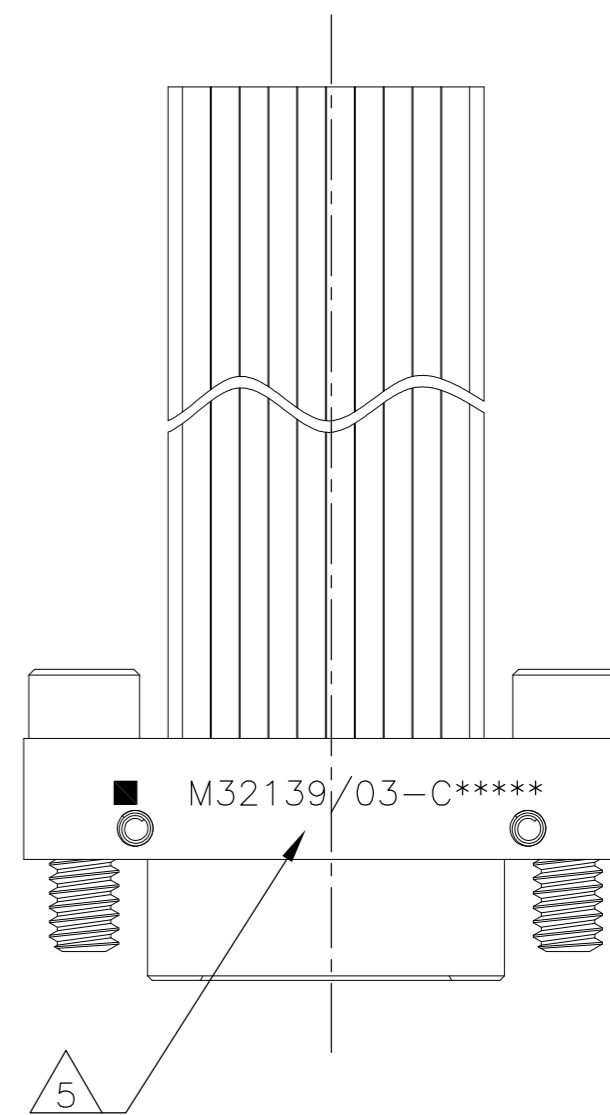


THIS DRAWING IS UNPUBLISHED. RELEASED FOR PUBLICATION
 © COPYRIGHT - By - ALL RIGHTS RESERVED.

LOC		DIST		REVISIONS			
P	LTR	DESCRIPTION		DATE	DWN	APVD	
B		REV PER ECO 15-007382		5-18-15	CT	RL	



JACKSCREWS OMITTED FOR CLARITY





- 1 ALL DIMENSIONS, MATERIALS, AND FINISHES ARE IN ACCORDANCE WITH MIL-DTL-32139 AND MIL-DTL-32139/3
- 2 SEE SHEET 2 FOR MIL-DTL-32139 PIN (PART IDENTIFYING NUMBER) AND CORRESPONDING TE PART NUMBERS

- 3 INSULATOR SHALL BE FLUSH WITH THE SHELL TO WITHIN ±.004
- 4 WIRE TYPE DEFINED BY MIL-DTL-32139/3
- 5 CONNECTOR SHALL BE MARKED IN ACCORDANCE WITH METHOD I OF MIL-STD-1285. MARKING SHALL CONTAIN THE MILITARY PIN AND POSITION 1 INDICATED BY AN IDENTIFIABLE MARK, LOCATED APPROXIMATELY AS SHOWN ON THE POSITION 1 SIDE OF THE CONNECTOR FLANGE. TEXT HEIGHT SHALL BE .035 INCH MINIMUM.
- 6 CONNECTOR SHALL BE MARKED IN ACCORDANCE WITH METHOD I OF MIL-STD-1285. MARKING SHALL CONTAIN TE, CAGE CODE AND DATE CODE. EXAMPLE: TE OPJN9 YYWW (WHERE YYWW IS THE DATE CODE). TEXT HEIGHT SHALL BE .035 INCH MINIMUM.

THIS DRAWING IS A CONTROLLED DOCUMENT.		DWN C SCHOLL 16 AUG 10		TE Connectivity	
DIMENSIONS: INCHES		CHK M STORRY 16 AUG 10		NAME	
TOLERANCES UNLESS OTHERWISE SPECIFIED:		APVD -	PRODUCT SPEC		
0 PLC ± -		APVD -	APPLICATION SPEC		
1 PLC ± -		APVD -	WEIGHT -		
2 PLC ± -		APVD -	SCALE 6:1		
3 PLC ± .005		APVD -	SHEET 1 of 2		
4 PLC ± -		APVD -	REV B		
ANGLES ± 2°		APVD -	RESTRICTED TO		
MATERIAL SEE NOTES	FINISH SEE NOTES	SIZE A2		CAGE CODE OPJN9	DRAWING NO C=1925216
CUSTOMER DRAWING		PLUG ASSEMBLY, TWO ROW, FLYING LEADS, PER MIL-DTL-32139/3, SIZE 21			

THIS DRAWING IS UNPUBLISHED. RELEASED FOR PUBLICATION
 © COPYRIGHT - By - ALL RIGHTS RESERVED.

LOC		DIST		REVISIONS			
P	LTR	DESCRIPTION	DATE	DWN	APVD		
-	-	SEE SHEET 1	-	-	-		

PART NUMBER CROSS REFERENCE			
TE P/N	L DIM 	MIL SPEC PIN 	NANONICS P/N
1925216-1	6	M32139/03-C01SNS	TMN2N021PC2DX006S
1925216-2	6	M32139/03-C01SSS	TMN2S021PC2DX006S
1925216-3	18	M32139/03-C02SNS	TMN2N021PC2DX018S
1925216-4	18	M32139/03-C02SSS	TMN2S021PC2DX018S
1925216-5	36	M32139/03-C03SNS	TMN2N021PC2DX036S
1925216-6	36	M32139/03-C03SSS	TMN2S021PC2DX036S
1925216-7	6	M32139/03-C04SNS	TMN2N021PC2DM006S
1925216-8	6	M32139/03-C04SSS	TMN2S021PC2DM006S
1925216-9	18	M32139/03-C05SNS	TMN2N021PC2DM018S
1-1925216-0	18	M32139/03-C05SSS	TMN2S021PC2DM018S
1-1925216-1	36	M32139/03-C06SNS	TMN2N021PC2DM036S
1-1925216-2	36	M32139/03-C06SSS	TMN2S021PC2DM036S
1-1925216-3	6	M32139/03-C07SNS	TMN2N021PC2DT006S
1-1925216-4	6	M32139/03-C07SSS	TMN2S021PC2DT006S
1-1925216-5	18	M32139/03-C08SNS	TMN2N021PC2DT018S
1-1925216-6	18	M32139/03-C08SSS	TMN2S021PC2DT018S
1-1925216-7	36	M32139/03-C09SNS	TMN2N021PC2DT036S
1-1925216-8	36	M32139/03-C09SSS	TMN2S021PC2DT036S
1-1925216-9	6	M32139/03-C10SNS	TMN2N021PC2TM006S
2-1925216-0	6	M32139/03-C10SSS	TMN2S021PC2TM006S
2-1925216-1	18	M32139/03-C11SNS	TMN2N021PC2TM018S
2-1925216-2	18	M32139/03-C11SSS	TMN2S021PC2TM018S
2-1925216-3	36	M32139/03-C12SNS	TMN2N021PC2TM036S
2-1925216-4	36	M32139/03-C12SSS	TMN2S021PC2TM036S

2-1925216-5	6	M32139/03-C13SNS	TMN2N021PC2CX006S
2-1925216-6	6	M32139/03-C13SSS	TMN2S021PC2CX006S
2-1925216-7	18	M32139/03-C14SNS	TMN2N021PC2CX018S
2-1925216-8	18	M32139/03-C14SSS	TMN2S021PC2CX018S
2-1925216-9	36	M32139/03-C15SNS	TMN2N021PC2CX036S
3-1925216-0	36	M32139/03-C15SSS	TMN2S021PC2CX036S
3-1925216-1	6	M32139/03-C16SNS	TMN2N021PC2CM006S
3-1925216-2	6	M32139/03-C16SSS	TMN2S021PC2CM006S
3-1925216-3	18	M32139/03-C17SNS	TMN2N021PC2CM018S
3-1925216-4	18	M32139/03-C17SSS	TMN2S021PC2CM018S
3-1925216-5	36	M32139/03-C18SNS	TMN2N021PC2CM036S
3-1925216-6	36	M32139/03-C18SSS	TMN2S021PC2CM036S

TMN X X XXX XX X XX XXX X

CLASS
M32139


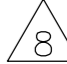

ROW
2 2 ROW

FINISH
N ELECTROLESS NICKEL
S STAINLESS STEEL

POSITION
021 21 POSITION




HARDWARE/THREADS
S 0-80 JACKSCREW, CAPTIVATED (PLUGS)


CONDUCTOR LENGTH
006 SIX INCHES
018 EIGHTEEN INCHES
036 THIRTY SIX INCHES

CONDUCTOR TYPE
DX WHITE PTFE PER NEMA HP3-ETXBBB9
DM COLOR CODED PTFE PER MIL-STD-681, SYSTEM 1 
DT WHITE ETFE PER M22759/33-30-9
TM COLOR CODED ETFE PER MIL-STD-681, SYSTEM 1 
CX WHITE COMPOSITE/PTFE PER DSCC 04047-30A-9
CM COLOR CODED COMPOSITE/PTFE PER MIL-STD-681, SYSTEM 1 

CONDUCTOR SIZE/STRANDS
2 30AWG 7 STRAND

CONFIGURATION
PC PLUG

-  THE FINAL 'S' IN THE MIL-SPEC PIN SIGNIFIES THAT THE CONNECTOR IS "SPACE CLASS". OMITTING THIS CHARACTER WILL YIELD THE SAME CORRESPONDING TE AND NANONICS PART NUMBERS.
-  THE COLOR CODE SHALL ONLY INCLUDE THE 10 SOLID COLORS IN REPEATING SEQUENCE.
-  PRELIMINARY PARTS - NOT RELEASED FOR PRODUCTION

THIS DRAWING IS A CONTROLLED DOCUMENT.		DWN C SCHOLL 16 AUG 10	 TE Connectivity	
DIMENSIONS: INCHES		CHK M STORRY 16 AUG 10		
TOLERANCES UNLESS OTHERWISE SPECIFIED:		APVD -	NAME PLUG ASSEMBLY, TWO ROW, FLYING LEADS, PER MIL-DTL-32139/3, SIZE 21	
0 PLC ± - 1 PLC ± - 2 PLC ± - 3 PLC ± - 4 PLC ± - ANGLES ± -		PRODUCT SPEC -	SIZE A2	
MATERIAL -		APPLICATION SPEC -	CAGE CODE 0PJN9	DRAWING NO 1925216
FINISH -		WEIGHT -	RESTRICTED TO -	SCALE 6:1
		CUSTOMER DRAWING	SHEET 2 of 2	REV B