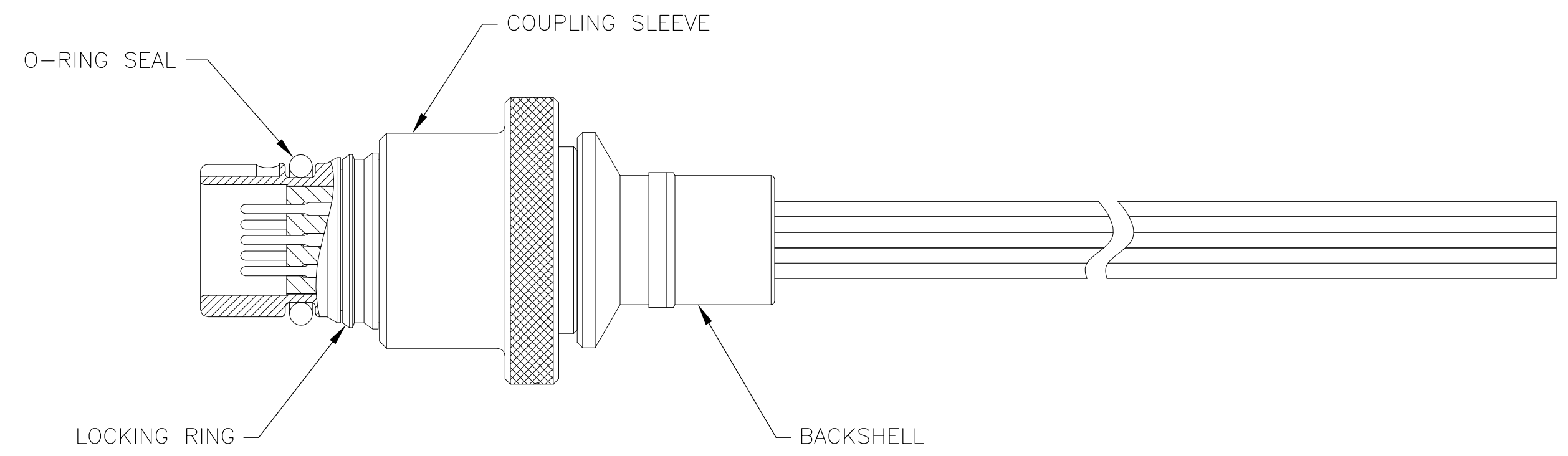
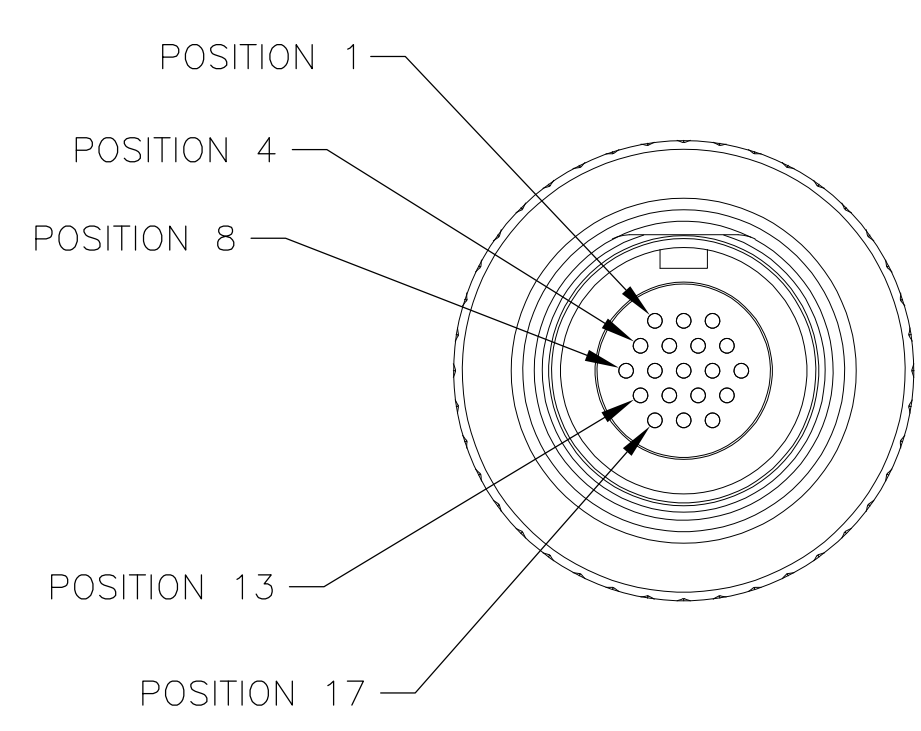
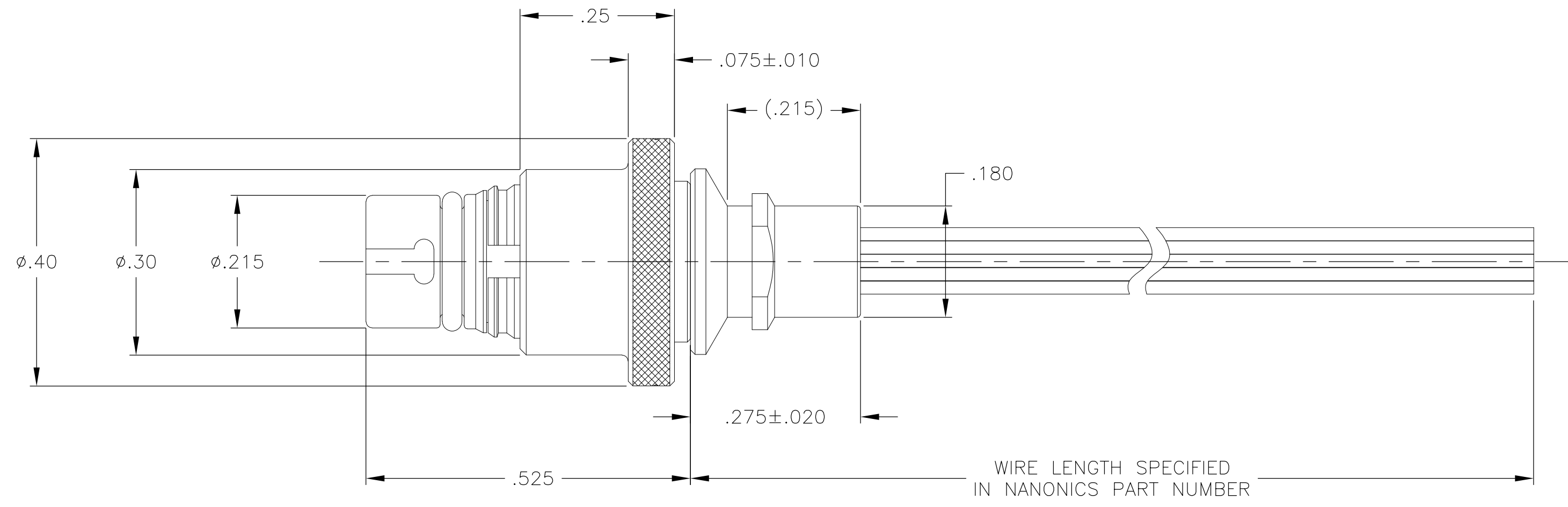


THIS DRAWING IS UNPUBLISHED. RELEASED FOR PUBLICATION
 © COPYRIGHT - By - ALL RIGHTS RESERVED.

REVISIONS				DATE	DWN	APVD
P	LTR	DESCRIPTION				
B		UPDATE PER ECO-11-013272	28 JUN 11	CAS	MKS	



- CONNECTOR BODY, COUPLING SLEEVE AND BACKSHELL MATERIAL: 6061-T6 ALUMINUM, ELECTROLESS NICKEL PLATED PER SAE-AMS-C-26074 OR SAE-AMS-2404E
 LOCKING RING MATERIAL: BERYLLIUM COPPER, ELECTROLESS NICKEL PLATED PER SAE-AMS-C-26074 OR SAE-AMS-2404E
 INSULATOR MATERIAL: LIQUID CRYSTAL POLYMER (LCP) PER ASTM D5138 OR POLYPHENYLENE SULFIDE (PPS) PER ASTM D4067
 O-RING MATERIAL: FLUOROSILICONE
- WIRE TERMINATION: 28 AWG SOLID, 30 AWG STRANDED WIRE OR SMALLER
- LUBRICATE O-RING WITH PARKER SUPER-O-LUBE PRIOR TO INSTALLATION
- THIS DRAWING ALSO IDENTIFIED AS NANONICS 303-0144

THIS DRAWING IS A CONTROLLED DOCUMENT.		DWN C SCHOLL 13 JAN 10		
DIMENSIONS: INCHES		CHK M STORRY 13 JAN 10		
		TOLERANCES UNLESS OTHERWISE SPECIFIED: 0 PLC ± - 1 PLC ± - 2 PLC ± .010 3 PLC ± .005 4 PLC ± - ANGLES ± 1°		NAME
MATERIAL SEE NOTES		FINISH SEE NOTES		PLUG ASSEMBLY, CIRCULAR, QUICK DISCONNECT W/ FLANGED COUPLING, STRAIGHT BACKSHELL, METAL, 19 POSITION
SEE NOTES		SEE NOTES		SIZE A2 CAGE CODE 0JPN9 DRAWING NO. 1925094
CUSTOMER DRAWING		SCALE 6:1		SHEET 1 of 1 REV B