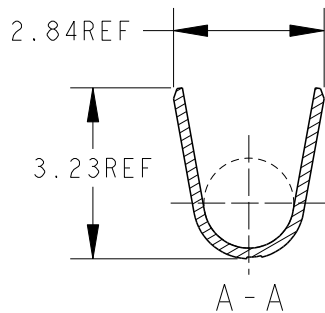
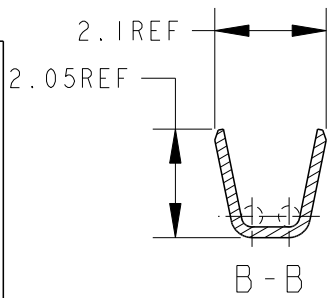
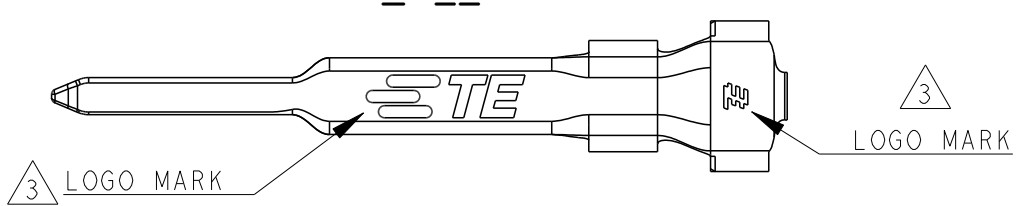
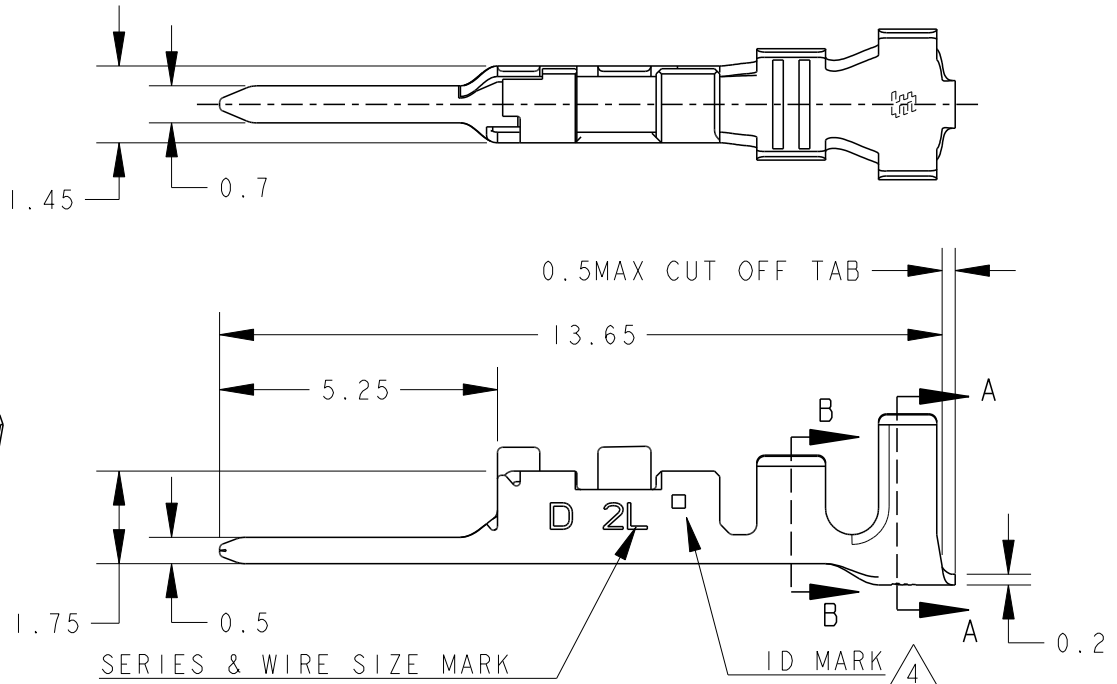


REVISIONS					
P	LTR	DESCRIPTION	DATE	DWN	APVD
	C	REVISED PER ECR-19-016494	24OCT2019	F.Z	R.B



1. APPLICATION TAB-HSG IS APPLIED TO THE PRODUCT OF 2.5mm PITCH OR MORE OF DYNAMIC D1000 SERIES. 2.0mm PITCH CANNOT BE USED.
2. THE SHAPE, SIZE AND POSITION OF THE CHARACTER SHOW THE OUTLINE. THEY DON'T SHOW DETAILS.
3. ALTERNATIVE LOGO MARK FOR DIFFERENT DIE,
4. ALTERNATIVE ID MARK, WITH "□" OR NO MARK. AS SHOWN: 1903126-1

1	PRE-TIN COPPER ALLOY	1903126-1
	MATERIAL	PART NO

WIRE RANGE	AWG#22-#18	INSULATION DIA
mm ²	0.34~0.86	∅1.4~∅2.2
MATERIAL	1	FINISH

© 2019 TE Connectivity. All Rights Reserved.

DIMENSIONS:	
mm	
TOLERANCES UNLESS OTHERWISE SPECIFIED:	
±0.3, ±3°	
0 PLC	±
1 PLC	±
2 PLC	±
3 PLC	±
4 PLC	±
ANGLES	±

DWN	M. MAEBASHI	26APR2006
CHK	T. KUDO	26APR2006
APVD	D. MITSUGI	26APR2006
PRODUCT SPEC	108-78298	
APPLICATION SPEC	114-5377	
WEIGHT	0.086 g	

STE TE Connectivity

NAME DYNAMIC D1000 SERIES
TAB CONTACT TIN-PLATE 2L-TYPE L/P

SIZE	CAGE CODE	DRAWING NO	RESTRICTED TO
A4	00779	C-1903126	

CUSTOMER DRAWING	SCALE	7:1	SHEET	1	OF	1	REV	C
------------------	-------	-----	-------	---	----	---	-----	---