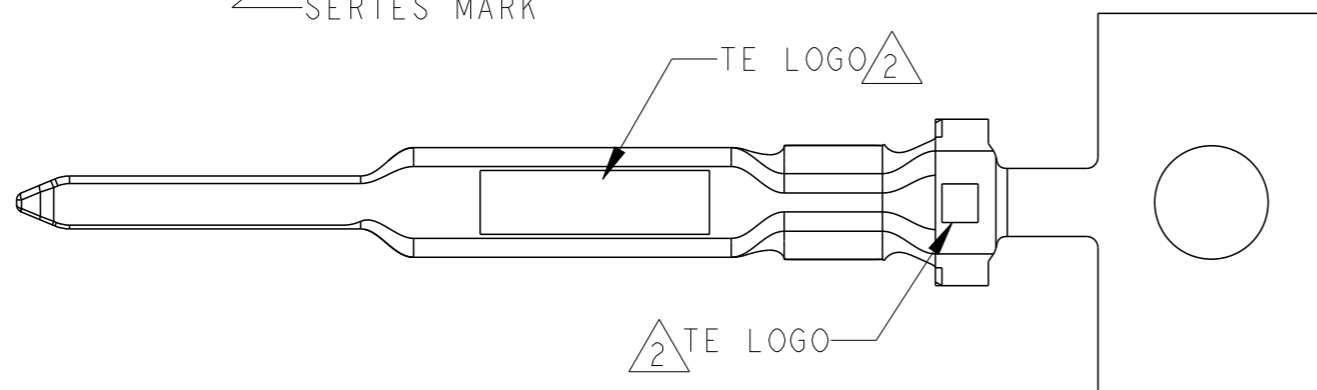
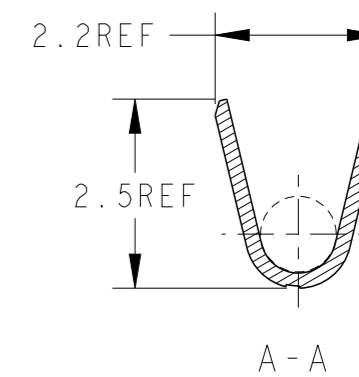
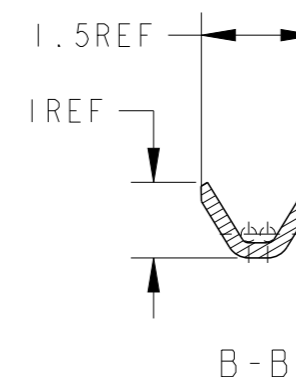
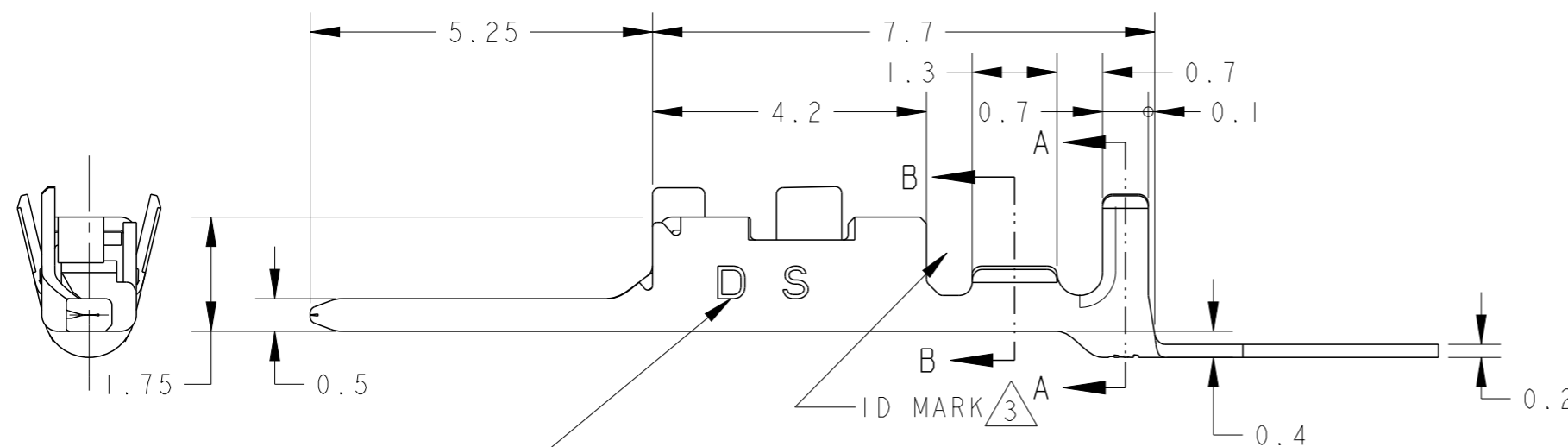
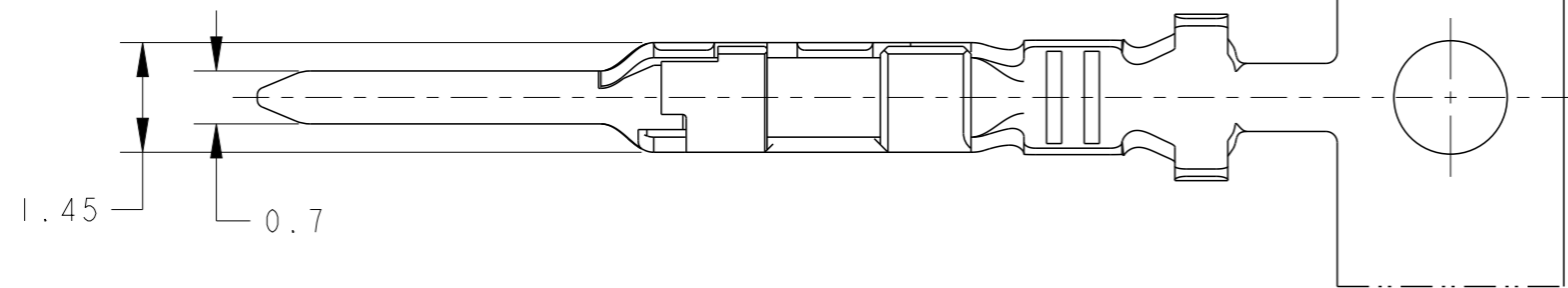


P	LTR	DESCRIPTION	DATE	DWN	APVD
C		REVISED PER ECR-19-016494	23OCT2019	F.Z	R.B
D		REVISED PER ECR-22-142637	16JUN2022	RI	TS

AS SHOWN: 1903111-2



D S 4	MATERIAL: COPPER ALLOY FINISH: CONTACT AREA Au 0.2umMIN, OVER Ni 1.27umMIN	1903111-4
D S	MATERIAL: COPPER ALLOY FINISH: CONTACT AREA Au 0.38umMIN, OVER Ni 1.27umMIN	1903111-2
SERIES MARK	MATERIAL	PART NO

WIRE RANGE	AWG#30~#28	INSULATION DIA
mm <sup>2</sup> 0.05~0.09		∅0.6~∅1.2

THIS DRAWING IS A CONTROLLED DOCUMENT.

DWN	M. MAEBASHI	11APR2006
CHK	T. KUDO	11APR2006
APVD	D. MITSUGI	11APR2006
PRODUCT SPEC	108-78268	
APPLICATION SPEC	114-5377	
WEIGHT	0.123 g	

<b>TE</b> TE Connectivity			
NAME DYNAMIC D1000 SERIES TAB CONTACT Au S-TYPE REEL			
SIZE	CAGE CODE	DRAWING NO	RESTRICTED TO
A3	00779	C-1903111	

DIMENSIONS:	TOLERANCES UNLESS OTHERWISE SPECIFIED:
mm	±0.3, ±3°
∅ PLC	±
1 PLC	±
2 PLC	±
3 PLC	±
4 PLC	±
ANGLES	±

MATERIAL	FINISH
SEE TABLE	SEE TABLE

CUSTOMER DRAWING	SCALE 10:1	SHEET 1 OF 1	REV D
------------------	------------	--------------	-------

- THE SHAPE, SIZE AND POSITION OF THE CHARACTER SHOW THE OUTLINE. THEY DON'T SHOW DETAILS.
- ALTERNATIVE TE LOGO FOR DIFFERENT DIE.
- ALTERNATIVE ID MARK, WITH "■" OR NO MARK.