

LOC	DIST	REVISIONS					
DS	-	P	LTR	DESCRIPTION	DATE	DWN	APVD
		A		RELEASE	03.NOV.'08	GC	JK

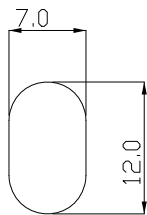
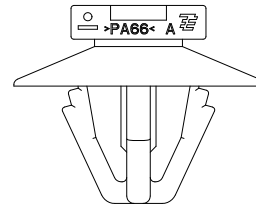
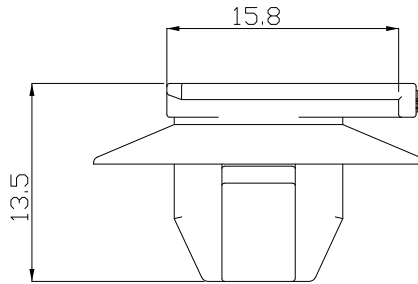
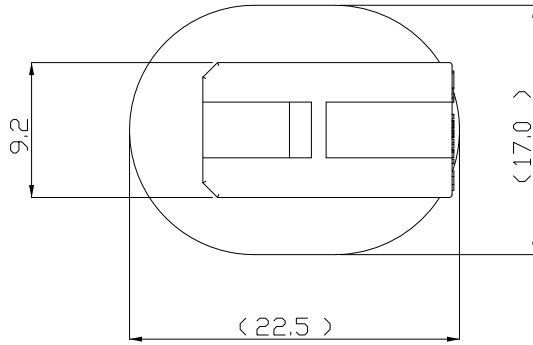


FIG.1 APPLICATION PANEL SIZE
(THICKNESS : 0.7~2.0 mm)

- NOTE :
1. GENERAL TOLERANCE : ± 0.3 , $\pm 3.0^\circ$
 2. APPLICABLE PANEL SIZE : SEE FIG. 1

1897785-2	CLIP	PA66	BLACK
PART NO.	DESCRIPTION	MATERIAL	COLOR

20
RELEASED FOR PUBLICATION

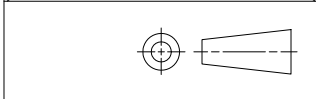
THIS DRAWING IS UNPUBLISHED.

© COPYRIGHT 20 BY TYCO ELECTRONICS CORPORATION. ALL RIGHTS RESERVED.

DIMENSIONS:	
mm	
TOLERANCES UNLESS OTHERWISE SPECIFIED:	
0 PLC	± 0.5
1 PLC	± 0.3
2 PLC	± 0.13
3 PLC	± 0.013
4 PLC	± 0.0001
ANGLES	\pm

DWN	GC KWON	03NOV2008
CHK	KT LIM	-
APVD	JK SONG	-
PRODUCT SPEC	-	-
APPLICATION SPEC	-	-
WEIGHT	-	-

MATERIAL	-	FINISH	-
		AMP KOREA kyungsan, korea	
NAME SLOT CLIP FOR RF STRIPLINE			
SIZE	CAGE CODE	DRAWING NO	RESTRICTED TO
A4	00779	C-1897785	-



CUSTOMER DRAWING	SCALE	2:1	SHEET	1	OF	1	REV	A
------------------	-------	-----	-------	---	----	---	-----	---