

4

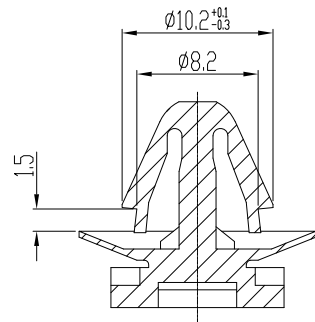
3

2

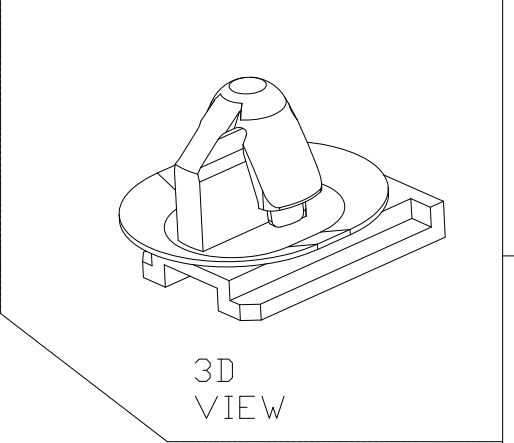
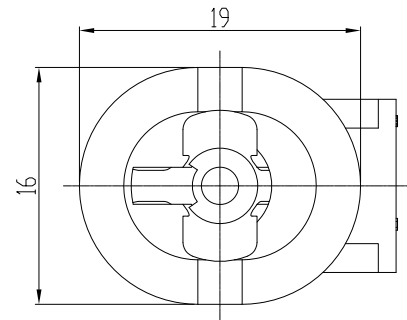
1

THIS DRAWING IS UNPUBLISHED. RELEASED FOR PUBLICATION
© COPYRIGHT BY TYCO ELECTRONICS CORPORATION, ALL RIGHTS RESERVED.

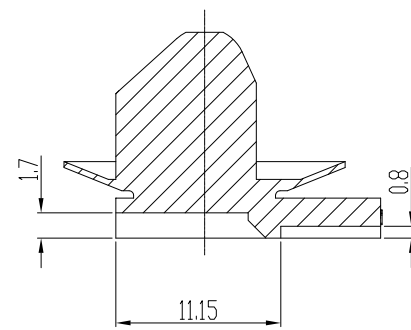
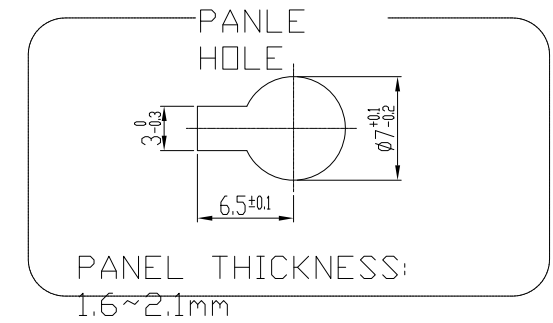
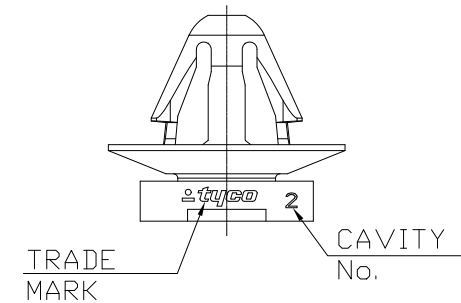
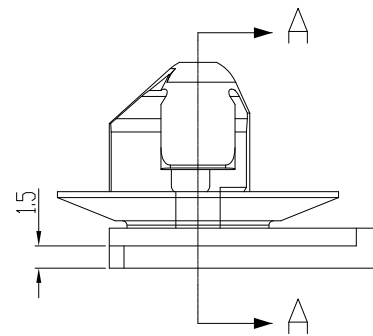
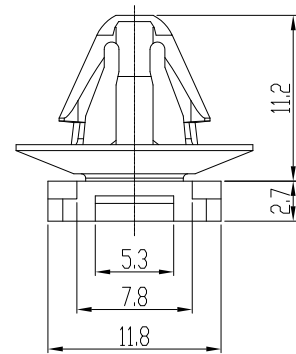
| LOC | DIST | REVISIONS | | | | | |
|-----|------|-----------|-----|-------------|------------|-----|------|
| DS | - | P | LTR | DESCRIPTION | DATE | DWN | APVD |
| | | | A | RELEASED | 13.JAN.'09 | KT | HG |



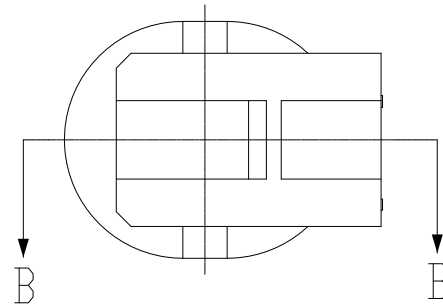
SECTION A-A



3D VIEW



SECTION B-B



| | | |
|---------|----------|-----------|
| BLACK | PA66 | 1897779-2 |
| NATURAL | PA66 | 1897779-1 |
| COLOR | MATERIAL | P/N |

| | | | | | | | |
|--|--|---|--|----------------------------------|--|--|--|
| <small>THIS DRAWING IS A CONTROLLED DOCUMENT FOR TYCO ELECTRONICS CORPORATION. IT IS SUBJECT TO CHANGE AND THE CONTROLLING ENGINEERING ORGANIZATION SHOULD BE CONTACTED FOR THE LATEST REVISION.</small> | | DWN KT JUNG CHK JW JUNG | | | | AMP KOREA, Kyungsan, Korea | |
| DIMENSIONS: MM | | TOLERANCES UNLESS OTHERWISE SPECIFIED: 0 <XX<10 ± 0.2 10<XX<30 ± 0.25 30<XX ± 0.3 ANGLES ± 3° | | APVD HG CHD PRODUCT SPEC - | | NAME CLIP HSG FOR .090 MLC(Ø7 KEY HOLE) | |
| | | MATERIAL SEE TABLE | | FINISH | | APPLICATION SPEC - WEIGHT - | |
| | | | | SIZE A3 | | CAGE CODE 00779 | |
| | | | | DRAWING NO C-1897779 | | RESTRICTED TO - | |
| | | | | CUSTOMER DRAWING | | SCALE 2/1 SHEET 1 OF 1 REV A | |