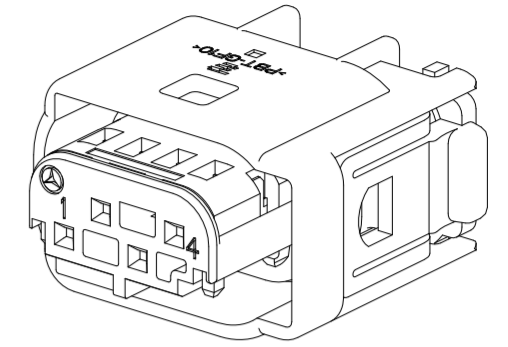
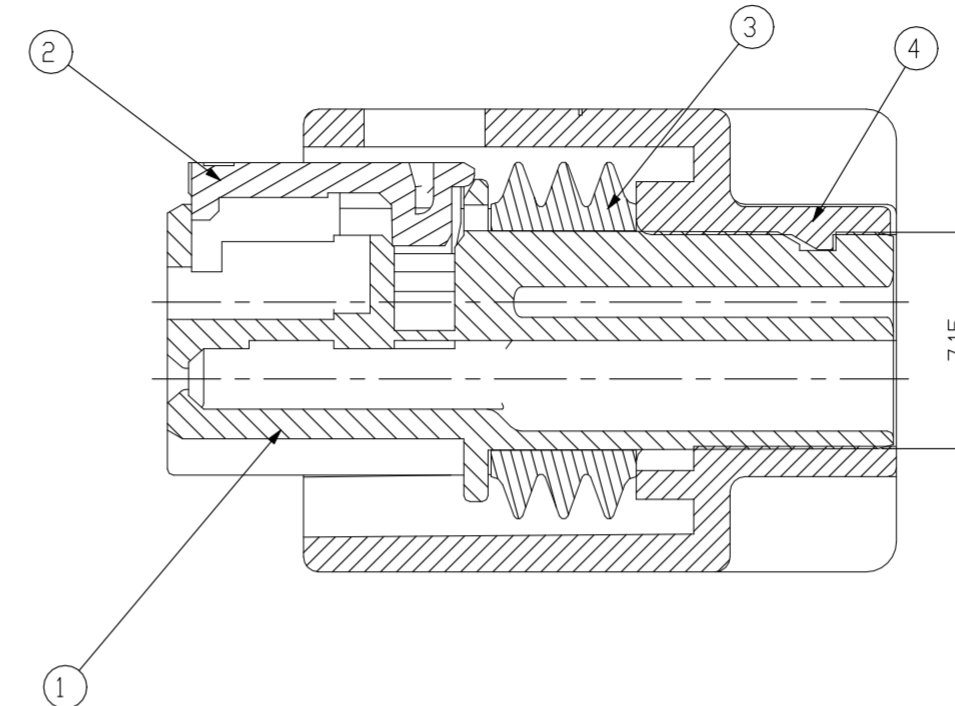
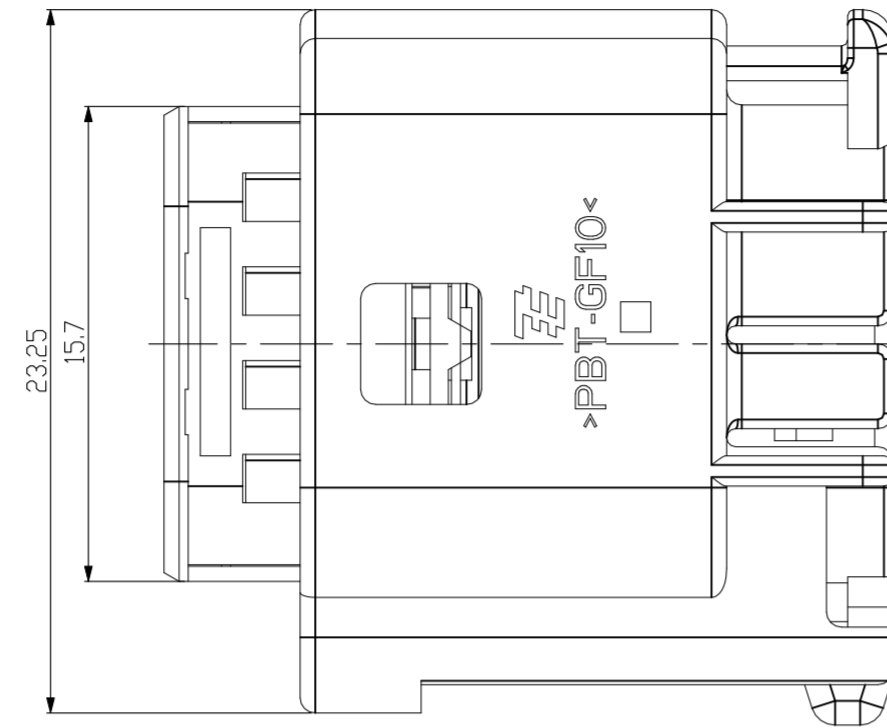
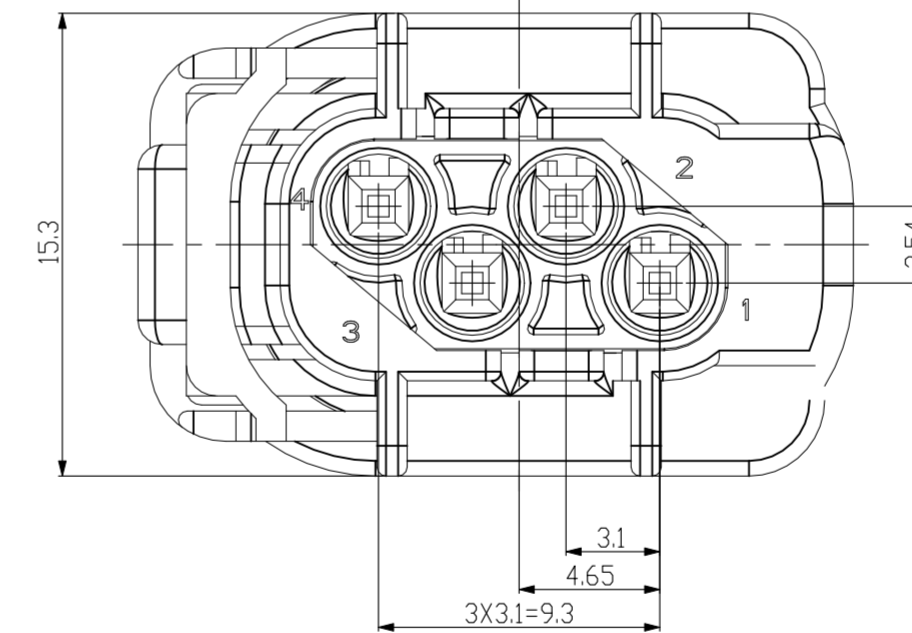
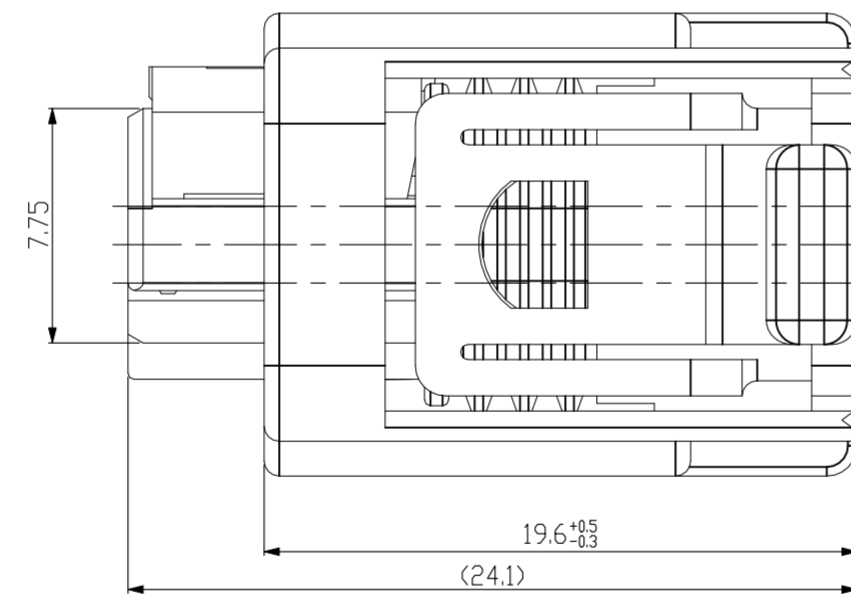
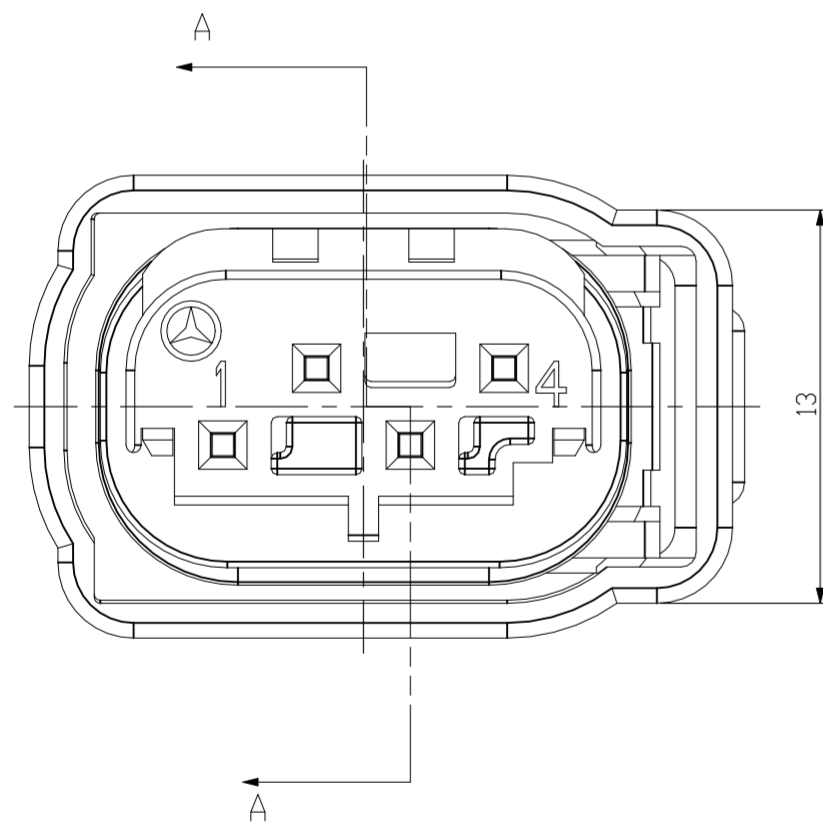
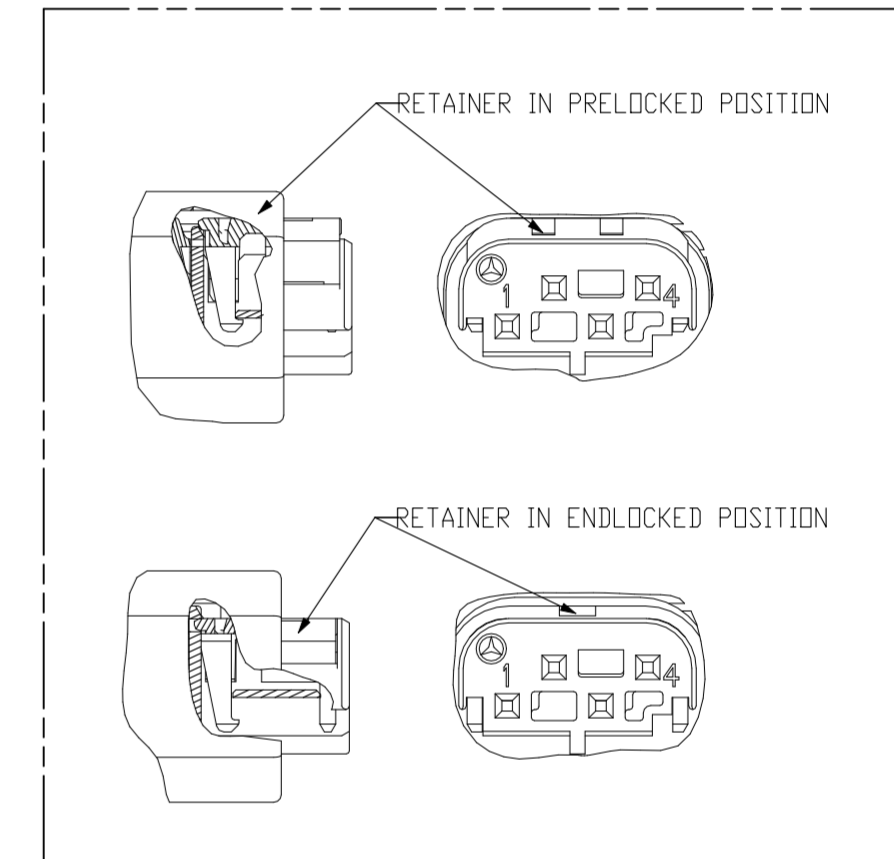


REVISIONS					
P	LTR	DESCRIPTION	DATE	DWN	APVD
B1	REVISED	ECR-22-125853	06JAN2022	CI	YJ



SCALE 2:1



NOTE:  
 1. GENERAL TOLERANCE:  $\pm 0.3\text{mm}$ ,  $\pm 3^\circ$   
 2. RETAINER IS PRE-LOCKING POSITION  
 3. APPLICABLE TERMINAL: 962885, 965906  
 4. APPLICABLE WIRE SEAL: 967067, 967056

THIS DRAWING IS A CONTROLLED DOCUMENT.		DWN	JM JEON
DIMENSIONS:		CHK	JW JUNG
mm	TOLERANCES UNLESS OTHERWISE SPECIFIED:	APVD	HG JO
	0 PLC $\pm -$	PRODUCT SPEC	
	1 PLC $\pm -$	APPLICATION SPEC	
	2 PLC $\pm -$		
	3 PLC $\pm -$	WEIGHT	-
	4 PLC $\pm -$		
	ANGLES $\pm -$	CUSTOMER DRAWING	
MATERIAL	FINISH	SCALE	4:1
		SHEET	1 of 1

NO	COLOR	MATERIAL	DESCRIPTION	QTY
④	BLACK	PBT GF10	PROTECTIVE COVER	1
③	NATURAL	MVQ-30	INNER SEAL	1
②	GREEN	PBT GF-15	RETAINER	1
①	BLACK	PBT GF-15	SOCKET HSG	1

		NAME	
		MQS 4P PLUG ASSEMBLY	
SIZE	CAGE CODE	DRAWING NO	RESTRICTED TO
A2	00779	C=1897711	-

ASSY P/N  
1897711-2

1897711