

THIS DRAWING IS UNPUBLISHED.

RELEASED FOR PUBLICATION

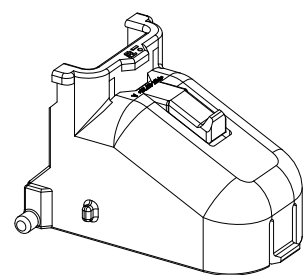
20

REVISIONS

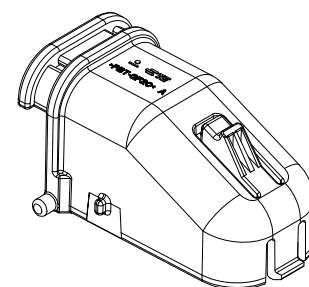
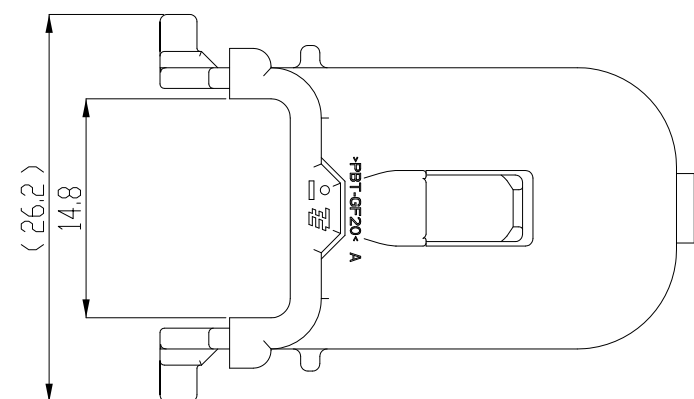
© COPYRIGHT 20 BY -

ALL RIGHTS RESERVED.

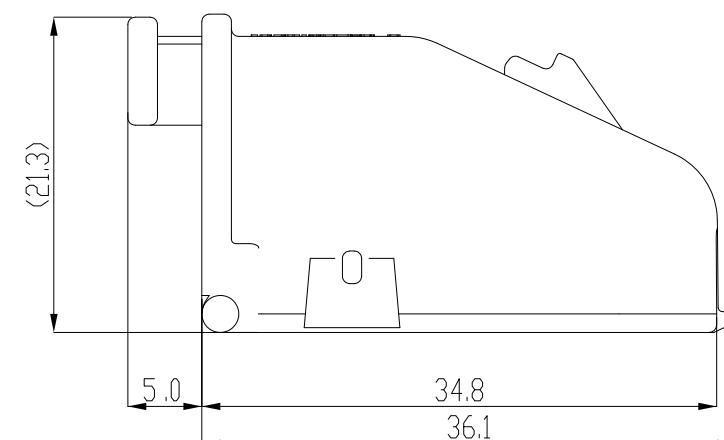
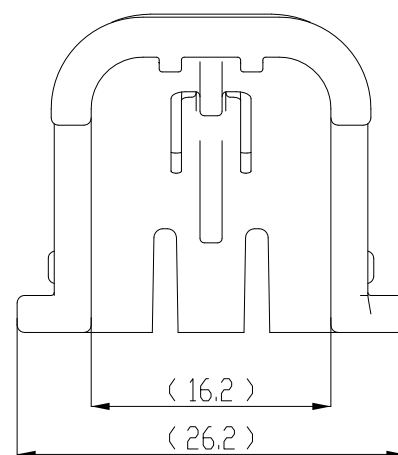
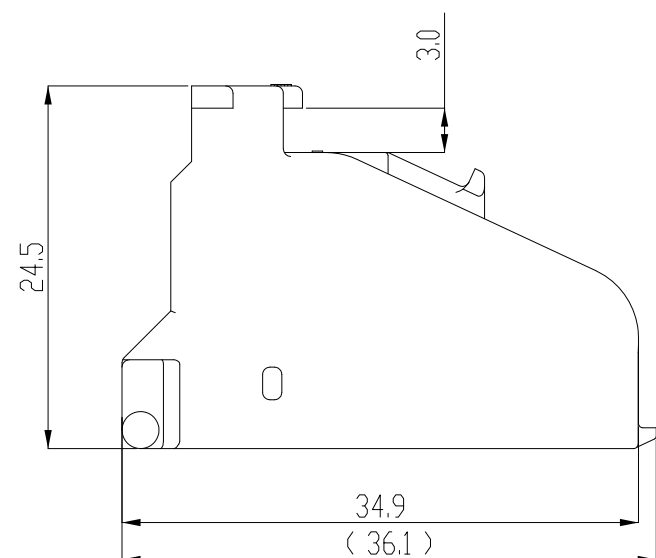
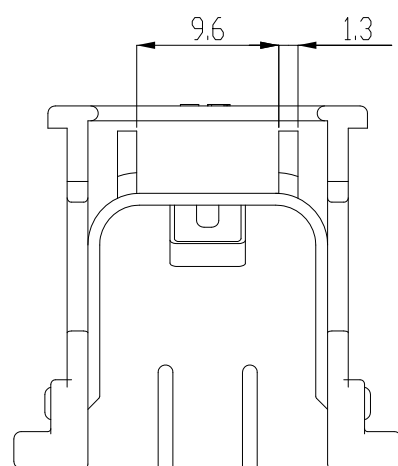
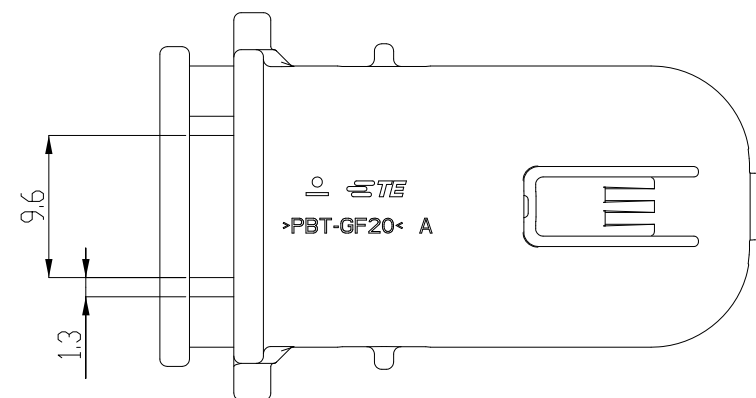
LTR	DESCRIPTION	DATE	DWN	APVD
A1	REVISED(ECR-14-008909)	21.OCT.14	SJ	HG



ISO VIEW  
SCALE 1:1



ISO VIEW  
SCALE 1:1



1897692-2

1-1897692-2

COVER CODING

NOTE:

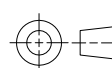
1. GENERAL TOLERANCE :  $\pm 0.3$ ,  $\pm 3.0^\circ$
2. APPLICABLE TAB CONNECTOR : 1897686
3. APPLICABLE REC. CONNECTOR ASS'Y : 1897688
4. CORRUGATE TUBE : NOT APPLICABLE

NO	COLOR	MATERIAL	DESCRIPTION	P/N	REV
2	BLACK	PBT-GF20	180 DEG COVER	1-1897692-2	A
1	BLACK	PBT-GF20	COVER	1897692-2	B

THIS DRAWING IS A CONTROLLED DOCUMENT.

DIMENSIONS:  
mm

TOLERANCES UNLESS  
OTHERWISE SPECIFIED



- 0 PLC  $\pm$
- 1 PLC  $\pm 0.1$
- 2 PLC  $\pm 0.01$
- 3 PLC  $\pm 0.001$
- 4 PLC  $\pm 0.0001$
- ANGLES  $\pm$

MATERIAL -

FINISH -

DWN

SJ CHOI

CHK

KT LIM

APVD

HG CHO

PRODUCT SPEC

APPLICATION SPEC

WEIGHT -

CUSTOMER DRAWING



TE Connectivity

NAME

MCP1.5 SEALED 18P COVER

SIZE

CAGE CODE

DRAWING NO

RESTRICTED TO

A3

00779

©-1897692

SCALE 2:1

SHEET 1 OF 1

REV A1