

4

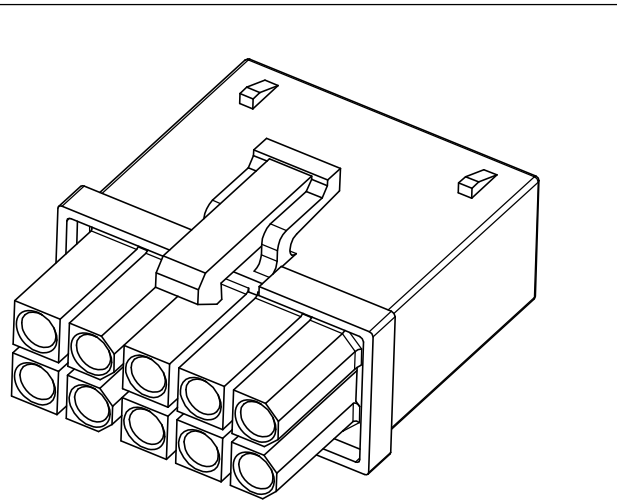
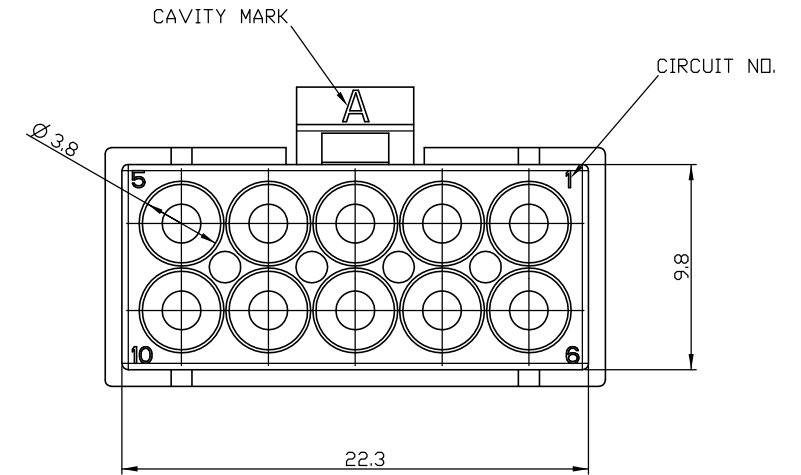
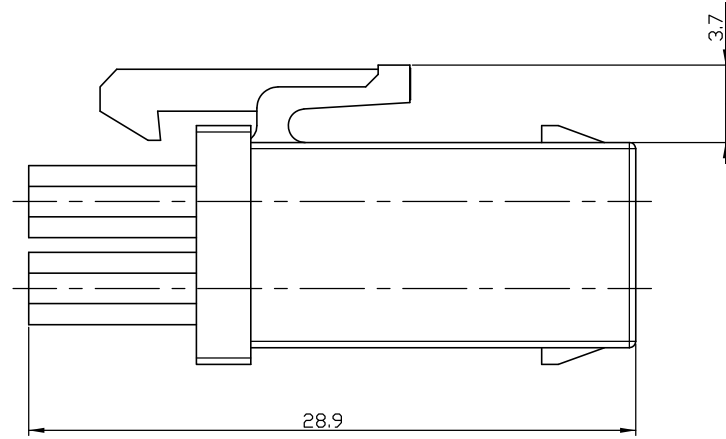
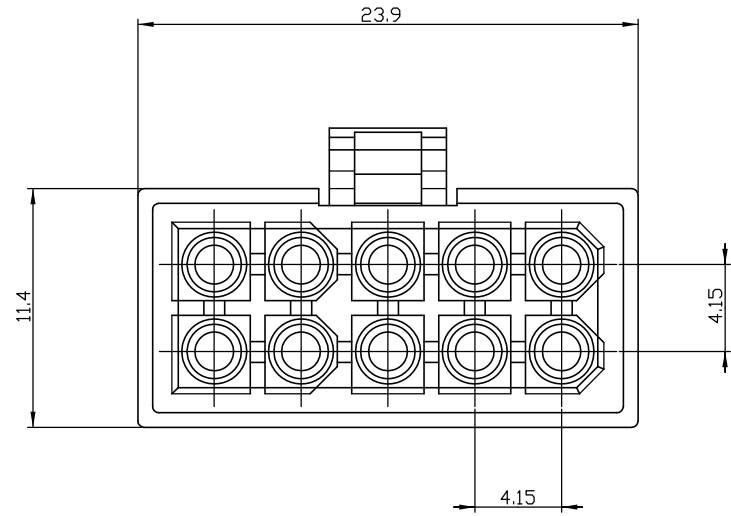
3

2

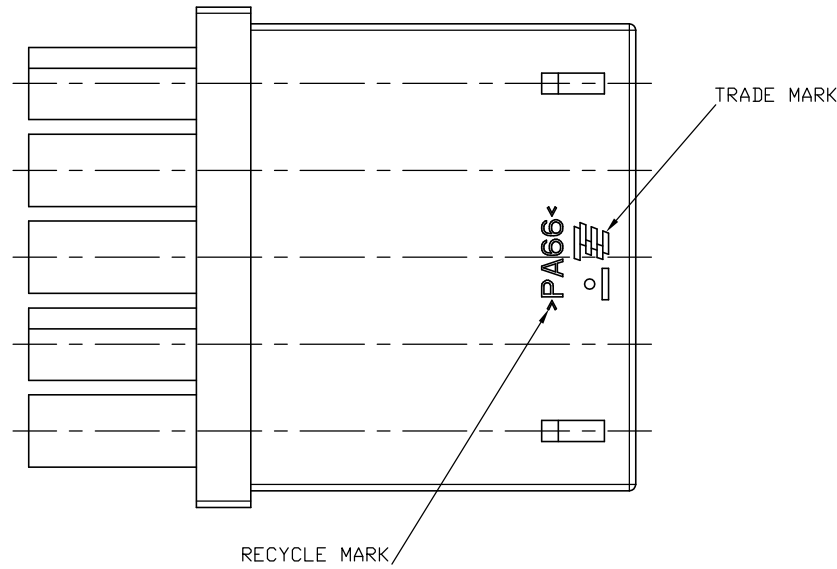
1

THIS DRAWING IS UNPUBLISHED. RELEASED FOR PUBLICATION 20
 © COPYRIGHT 20 BY TYCO ELECTRONICS CORPORATION. ALL RIGHTS RESERVED.

LOC	DIST	REVISIONS					
		P	LTR	DESCRIPTION	DATE	DWN	APVD
DS	-	A		RELEASED	18_MAR_08	JH	JK



ISOMETRIC VIEW



- NOTES.
1. APPLICABLE CONN. P/N: X-1897624-X
 2. APPLICABLE CONTACT P/N: 770902-X 770904-X
 3. APPLICABLE WIRE SEAL P/N: 2005877-X
 4. APPLICABLE I/F SEAL P/N: 1-1897989-0

1-1897620-1	6/6 NYLON (GWT)	NATURAL
1897620-1	6/6 NYLON UL94 V-0	NATURAL
P/N	MATERIAL	COLOR

THIS DRAWING IS A CONTROLLED DOCUMENT FOR TYCO ELECTRONICS CORPORATION. IT IS SUBJECT TO CHANGE AND THE CONTROLLING ENGINEERING ORGANIZATION SHOULD BE CONTACTED FOR THE LATEST REVISION.		DWN JH_GONG	TE CONNECTIVITY		
DIMENSIONS: MM		CHK RW_KANG			
TOLERANCES UNLESS OTHERWISE SPECIFIED: 0 PLC ± 1 PLC ± 2 PLC ± ±0.25 3 PLC ± 4 PLC ± ANGLES ±		APVD JK_SONG	PRODUCT SPEC 108-61101		
MATERIAL 6/6 NYLON		APPLICATION SPEC 114-16017	SIZE A2	CAGE CODE 00779	DRAWING NO C=1897620
		WEIGHT -	RESTRICTED TO -		REV A
		CUSTOMER DRAWING		SCALE 4:1	SHEET 1 OF 1