

THIS DRAWING IS UNPUBLISHED.

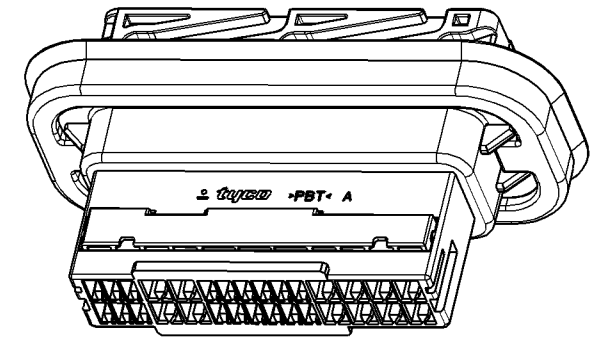
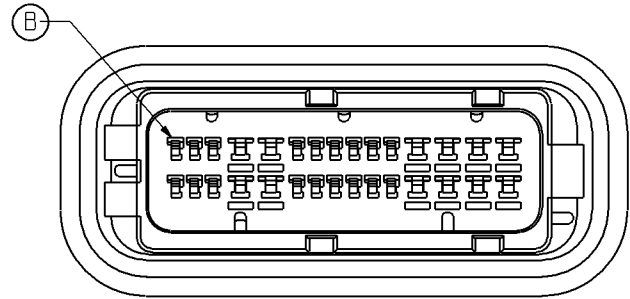
RELEASED FOR PUBLICATION

20

© COPYRIGHT 20

BY TYCO ELECTRONICS CORPORATION. ALL RIGHTS RESERVED.

LOC	DIST	REVISIONS					
		P	LTR	DESCRIPTION	DATE	DWN	APVD
DS	-	A		RELEASE	22.JAN.'08	GC	JK
		B		REVISED(ECR-08-032199)	21.APR.'08	GC	JK



ISO VIEW

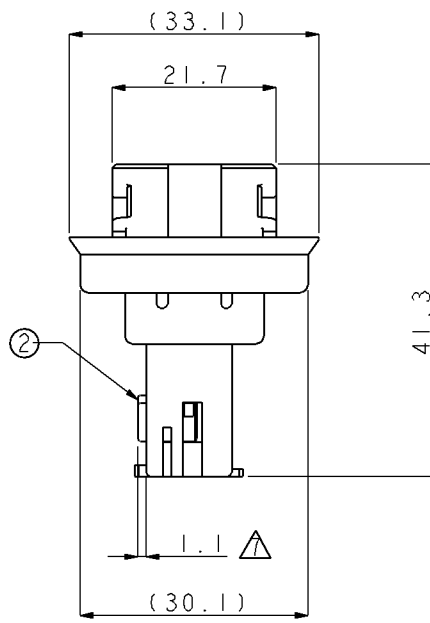
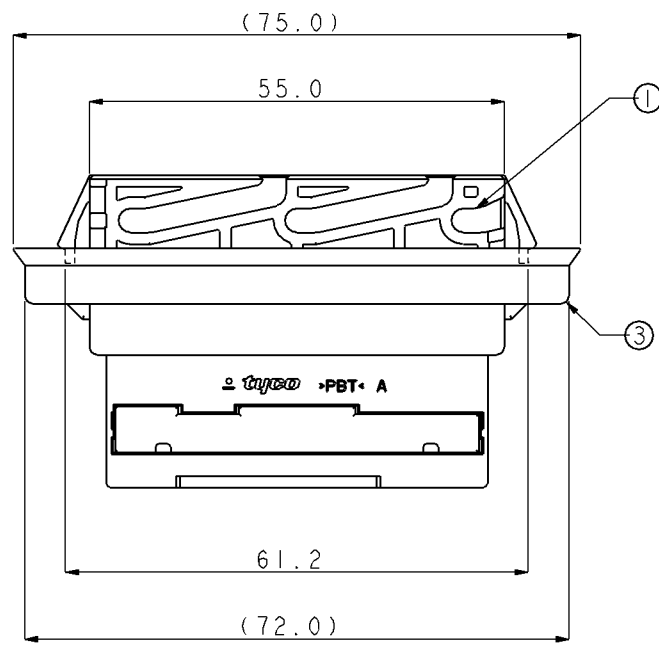


TABLE 1. APPLICABLE TAB CONTACT.

TAB	PART NO.	WIRE RANGE	
		AWG	mm ²
040	353537-1	22-20	0.3-0.5
090	368088-1	22-20	0.3-0.5
	368087-1	18-16	0.85-1.25
	368086-1	14	2.0

NOTE ;

1. GENERAL TOLERANCE : $\pm 0.3, \pm 3.0^\circ$
 2. APPLICABLE PANEL SIZE : SEE FIG. 1
 3. APPLICABLE PANEL THICKNESS : 0.7 mm
 4. APPLICABLE TAB CONTACT : SEE TABLE 1.
 5. THE MATING PLUG ASS'Y P/N : 1897228
 6. THE MATING COVER P/N : 1897227(AM)
- \triangle DBL SUPPLY CONDITION : 1ST LOCKING.

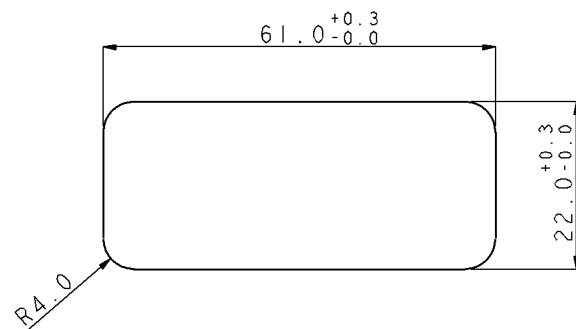


Fig. 1 APPLICABLE PANEL SIZE

NO.	PART NO.	DESCRIPTION	MATERIAL	COLOR	Q'TY
3	1897226-2	PANEL SEAL	EPDM	BLACK	1
2	1897225-1	CAP DBL	PBT	WHITE	1
1	1897224-2	CAP HSG	PBT	BLACK	1

<p>THIS DRAWING IS A CONTROLLED DOCUMENT FOR TYCO ELECTRONICS CORPORATION IT IS SUBJECT TO CHANGE AND THE CONTROLLING ENGINEERING ORGANIZATION SHOULD BE CONTACTED FOR THE LATEST REVISION.</p>		<p>DWN GC KWON 21APR2008</p>		<p>Tyco Electronics kyungsan, korea</p>	
<p>DIMENSIONS: mm</p>		<p>TOLERANCES UNLESS OTHERWISE SPECIFIED:</p>		<p>NAME JK SONG</p>	
<p>MATERIAL -</p>		<p>FINISH -</p>		<p>PRODUCT SPEC -</p>	
<p>APPLICABLE PANEL THICKNESS : 0.7 mm</p>		<p>APPLICABLE TAB CONTACT : SEE TABLE 1.</p>		<p>APPLICATION SPEC -</p>	
<p>WEIGHT -</p>		<p>SIZE A300779</p>		<p>CAGE CODE C-1897223</p>	
<p>CUSTOMER DRAWING</p>		<p>SCALE 1:1</p>		<p>SHEET 1 OF 1</p>	
<p>RESTRICTED TO -</p>		<p>REV B</p>		<p>REMARK</p>	