

4

3

2

1

THIS DRAWING IS UNPUBLISHED.

RELEASED FOR PUBLICATION

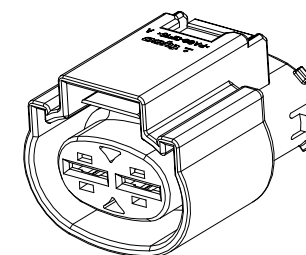
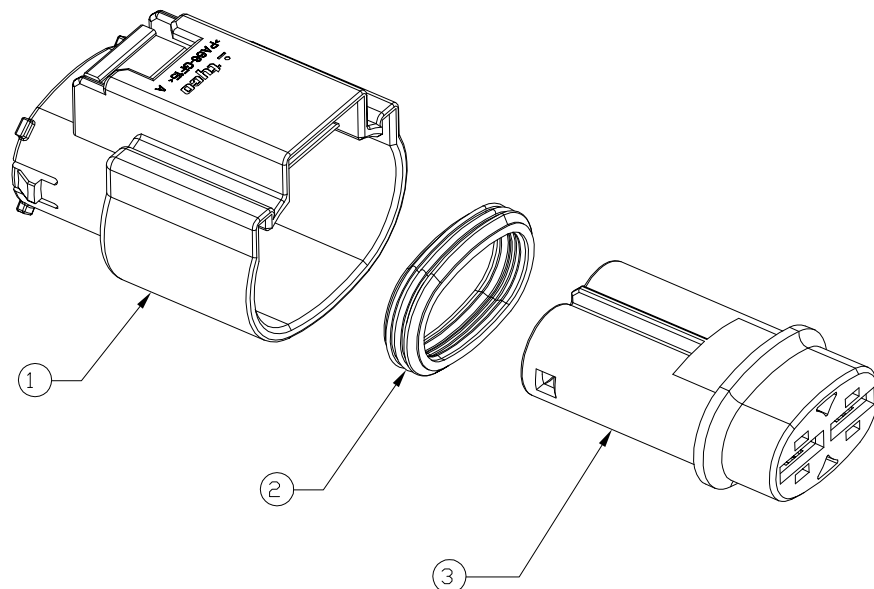
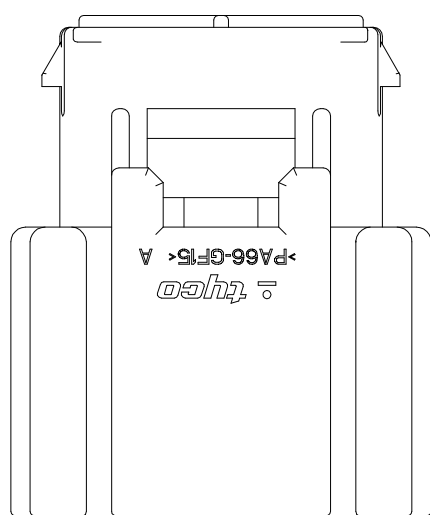
20

© COPYRIGHT 20 BY -

ALL RIGHTS RESERVED.

REVISIONS

P	LTR	DESCRIPTION	DATE	DWN	APVD
	A2	REVISED (ECR-13-018599)	24.JAN.14	JM	HG



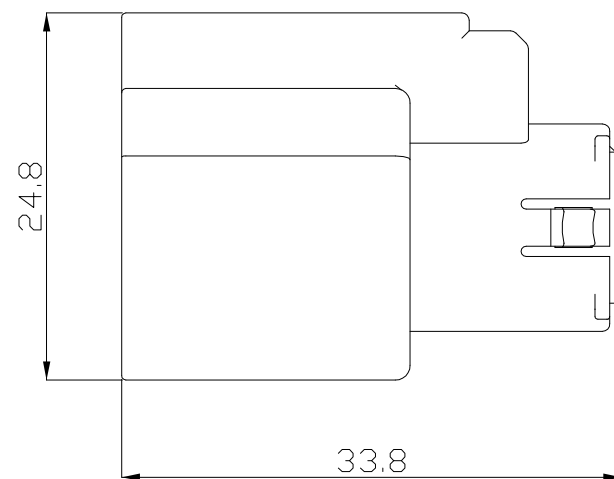
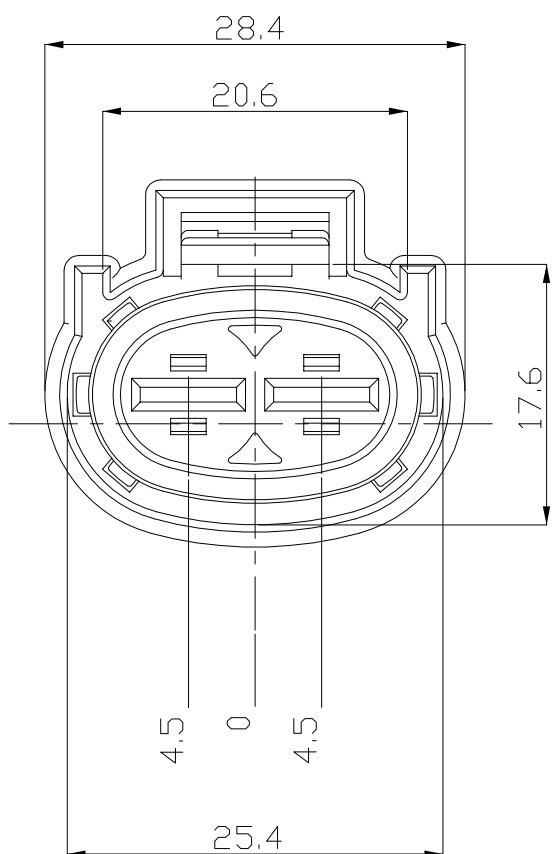
SCALE 1:1
ISO VIEW

TABLE 2.

TYPE	PART NO.	INSULATION DIA. (mm)	COLOR
MCP 6.3	963243-1	1.4 - 2.1	BLUE
	963244-1	2.2 - 3.0	WHITE
	963245-1	3.4 - 3.7	YELLOW
	(A2) 2188967-3	4.6 - 5.0	GRAY
	100132-1	CAVITY PLUG	BLACK

TABLE 1.

TYPE	PART NO.	WIRE RANGE (mm)	INSULATION DIA. (mm)	FINISH
MCP 6.3	1241412-1	0.5 - 1.0	1.4 - 2.1	CuNiSi, Tin
	1241412-3			CuNiSi, Silver
	1241414-1	1.0 - 2.5	2.2 - 3.0	CuNiSi, Tin
	1241414-3			CuNiSi, Silver
	1241416-1	2.5 - 4.0	3.4 - 3.7	CuNiSi, Tin
	1241416-3			CuNiSi, Silver
(A2) 1241418-4	5.0	4.6 - 5.0	CuNiSi, Tin	



NOTE ;

1. GENERAL TOLERANCE : ± 0.3 , $\pm 3.0^\circ$
2. THE MATING CONNECTOR : 1897213-2
3. APPLICABLE RECEPTACLE CONTACT P/N: TABLE 1
4. APPLICABLE WIRE SEAL P/N: TABLE 2

ASSY P/N	DESCRIPTION
1897214-1	MCP 2P PLUG ASSY

NO	DESCRIPTION	MATERIAL	COLOR	Q'TY
3	SEAL	SILICONE	ORANGE	1
2	SUB PLUG HSG	PA66-GF15	BLACK	1
1	MAIN PLUG HSG	PA66-GF15	BLACK	1

THIS DRAWING IS A CONTROLLED DOCUMENT.		DWN JM JEON		TE Connectivity													
DIMENSIONS: mm		CHK JW JUNG															
TOLERANCES UNLESS OTHERWISE SPECIFIED:		APVD HG CHO		NAME MCP 6.3 2P PLUG ASSY													
<table border="1"> <tr><td>0 PLC</td><td>±</td></tr> <tr><td>1 PLC</td><td>±</td></tr> <tr><td>2 PLC</td><td>±</td></tr> <tr><td>3 PLC</td><td>±</td></tr> <tr><td>4 PLC</td><td>±</td></tr> <tr><td>ANGLES</td><td>±</td></tr> </table>		0 PLC	±	1 PLC	±	2 PLC	±	3 PLC	±	4 PLC	±	ANGLES	±	PRODUCT SPEC		RESTRICTED TO	
0 PLC	±																
1 PLC	±																
2 PLC	±																
3 PLC	±																
4 PLC	±																
ANGLES	±																
MATERIAL SEE TABLE		FINISH		APPLICATION SPEC 114-18388													
		WEIGHT -		SIZE A300779													
		CUSTOMER DRAWING		DRAWING NO C-1897214													
		SCALE 2:1		SHEET 1 OF 1													
				REV A2													