

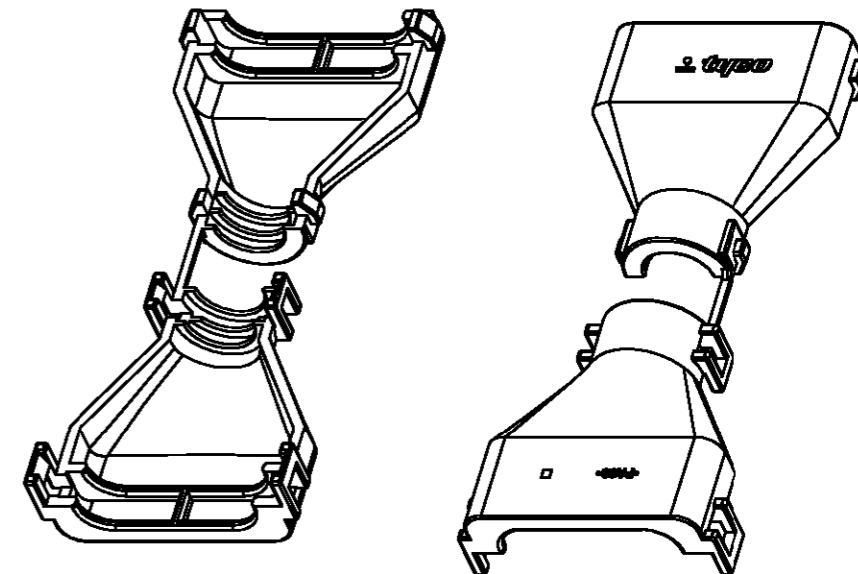
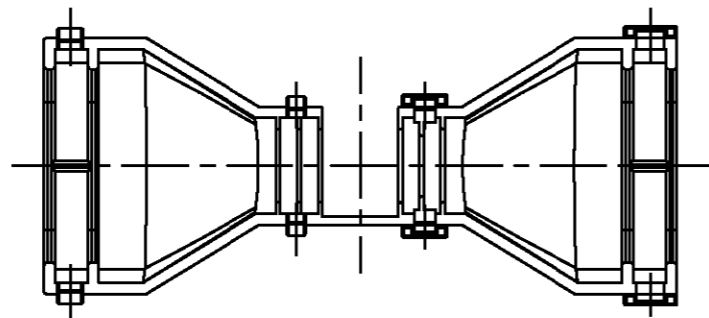
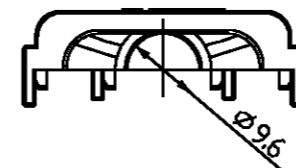
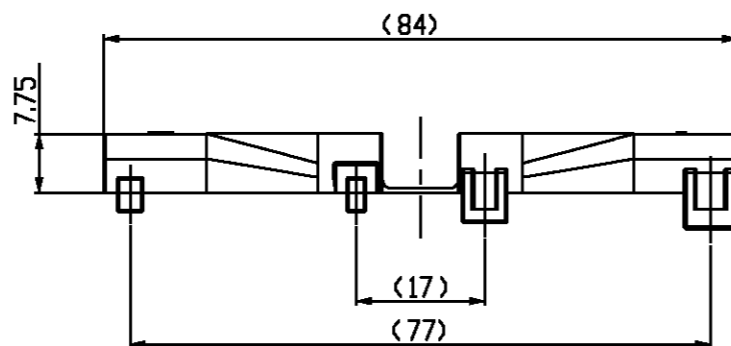
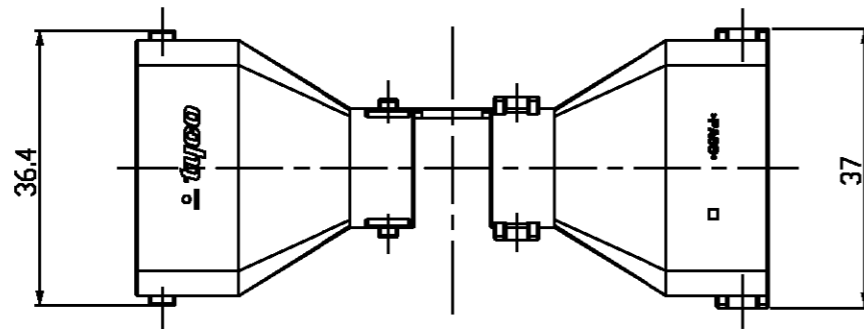
THIS DRAWING IS UNPUBLISHED. RELEASED FOR PUBLICATION

© COPYRIGHT BY TYCO ELECTRONICS CORPORATION. ALL RIGHTS RESERVED.

LOC DS DIST

REVISIONS

P	LTR	DESCRIPTION	DATE	DWN	APVD
A		RELEASED	19.NOV.'07	CH	JK



ISOMETRIC VIEW

- NOTES:
1. GENERAL TOLERANCE: ±0.3, 3°
  2. APPLICABLE CONNECTOR: X-1897091-X
  3. APPLICABLE CORRUGATE TUBE: Ø9.0
  4. APPLICATION TEST SPEC: MS210-12 (EXCEPT-4.4)

BLACK	PA66	1897094-2
COLOR	MATERIAL	P/N

THIS DRAWING IS A CONTROLLED DOCUMENT FOR TYCO ELECTRONICS CORPORATION. IT IS SUBJECT TO CHANGE AND THE CONTROLLING ENGINEERING ORGANIZATION SHOULD BE CONTACTED FOR THE LATEST REVISION.		DWN CH P/N	AMP KOREA kyungson, korea	
DIMENSIONS: MM		CHK TN DATE		
3rd ANGLE PROJECTION		APVD JK DATE	NAME	
TOLERANCES UNLESS OTHERWISE SPECIFIED:		PRODUCT SPEC	WIRE COVER FOR 2.8mm FLAT SENSOR SEALED 5P PLUG ASS'Y	
0 PLC ± 1 PLC ± 2 PLC ± 3 PLC ± 4 PLC ± ANGLES ±		APPLICATION SPEC	SIZE	RESTRICTED TO
MATERIAL SEE TABLE		WEIGHT	A3	
		CUSTOMER DRAWING		SCALE 1:1
				SHEET 1 OF 1
				REV A