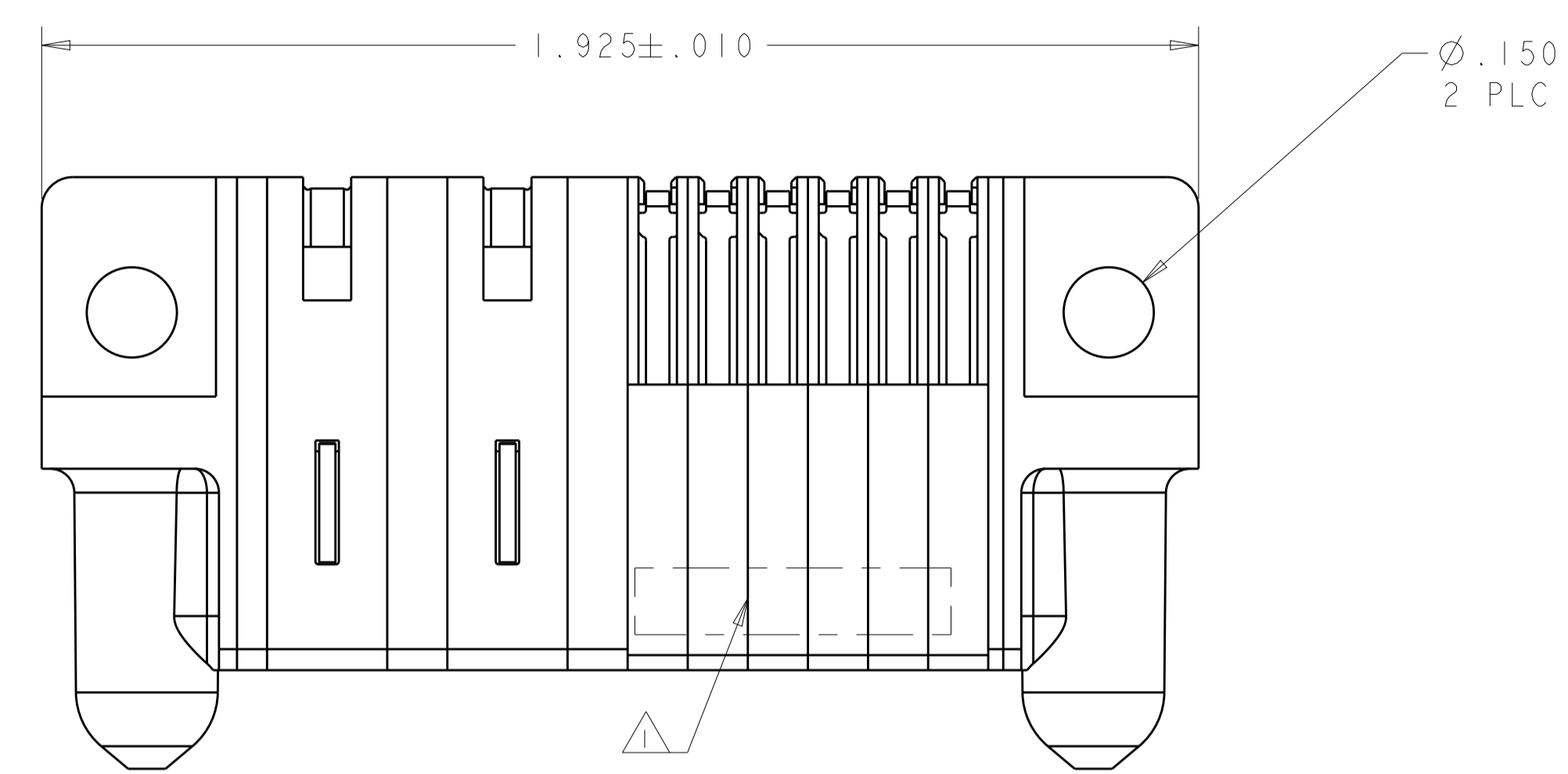
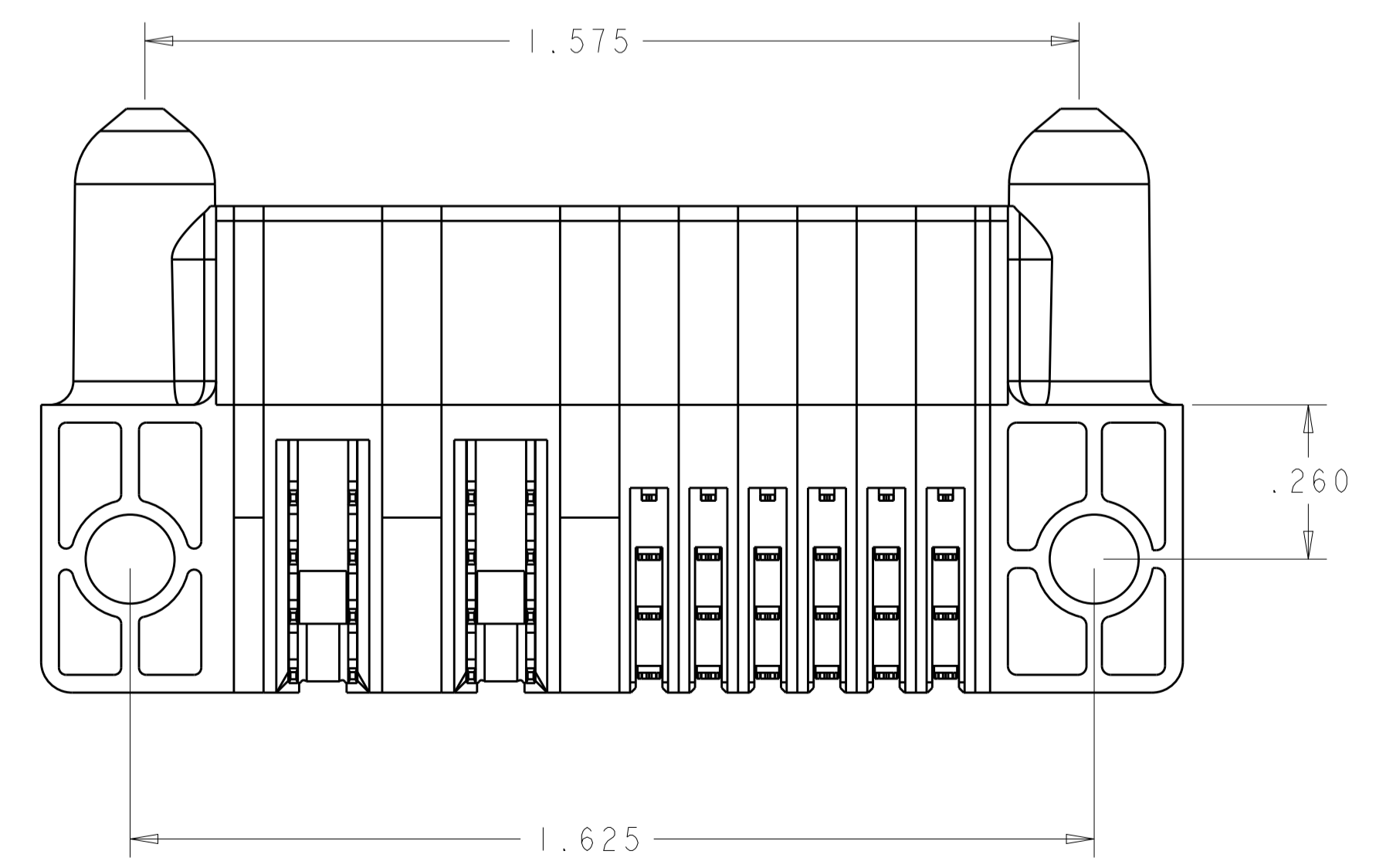
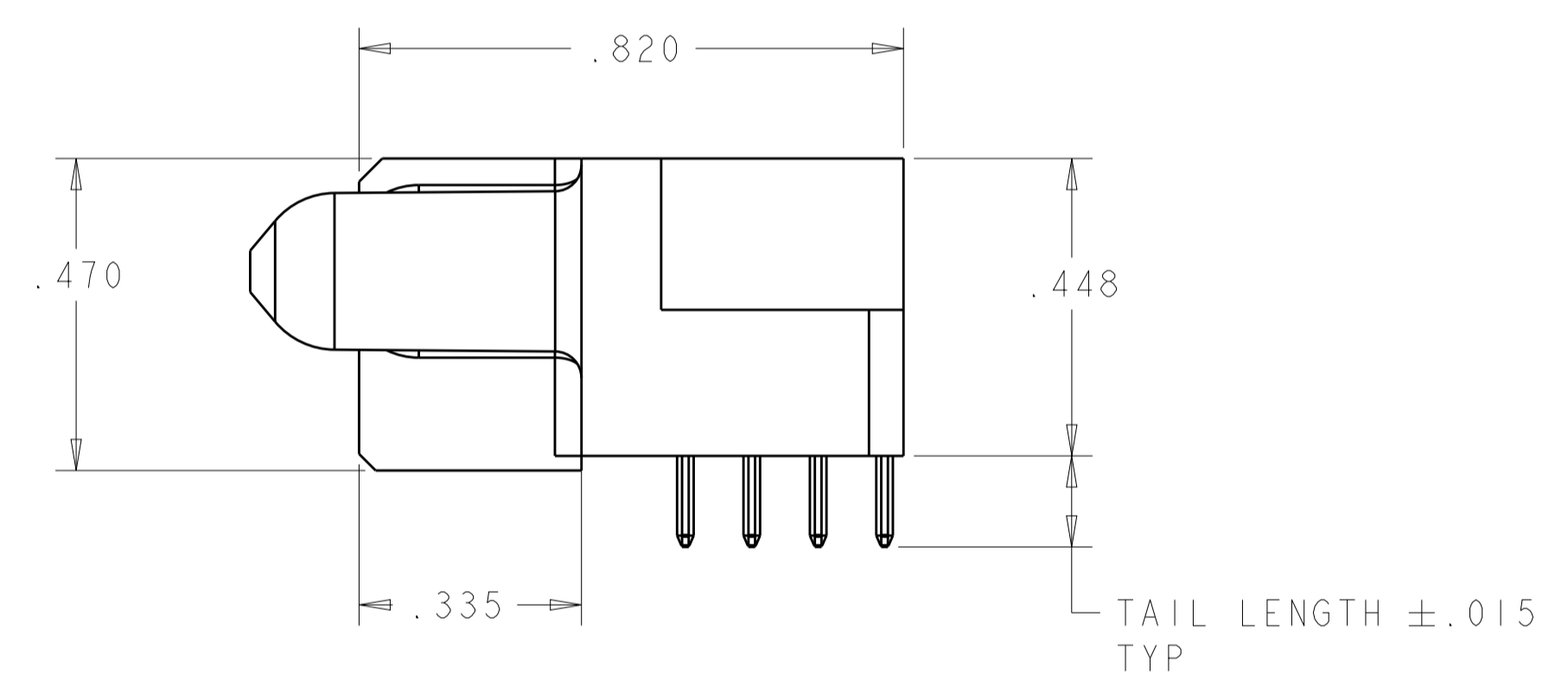
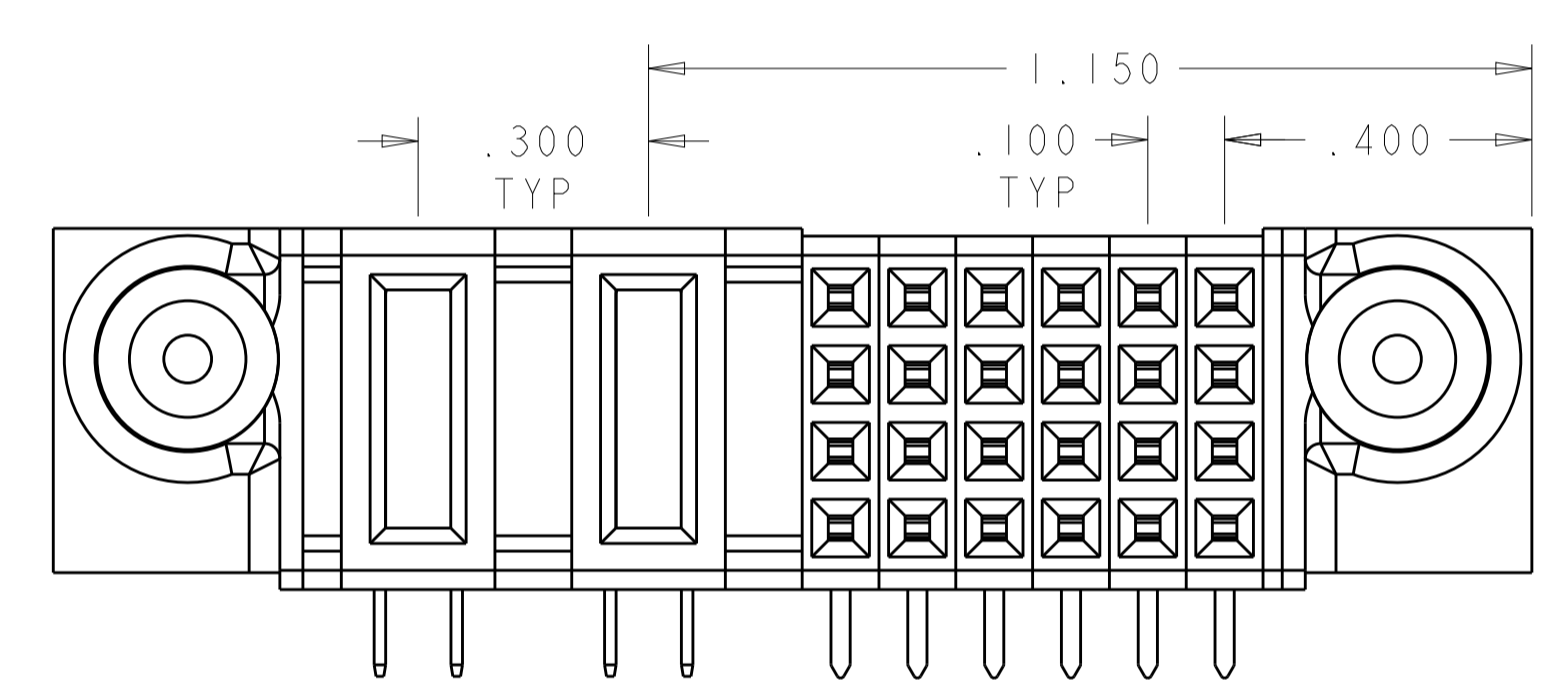


LOC	DIST	REVISIONS			
		REV	DATE	BY	APPD
ES	00	A	REV PER ECR-07-012702	01JUN2007	DZ SY



- ① "AMP", PART NUMBER, AND DATE CODE TO BE MARKED IN AREA SHOWN
- ② MATERIAL: HOUSING - GLASS FILLED HIGH TEMP THERMO PLASTIC, UV94 V-0
 SIGNAL CONTACT - HIGH CONDUCTIVITY COPPER ALLOY
 POWER CONTACT - HIGH CONDUCTIVITY COPPER ALLOY
- ③ CONTACT PLATING: NOBLE METAL PLATING ON CONTACT FUNCTIONAL AREA OF POWER AND SIGNAL CONTACTS
- ④ MECHANICAL CONNECTOR KEEP OUT ZONE
- ⑤ DATUM AND BASIC DIMENSIONS ESTABLISHED BY CUSTOMER
- ⑥ PCB - ALL HOLE DIAMETERS ARE FINISHED HOLE SIZES
- ⑦ PCB - $.0453 \pm .0010$ DRILLED HOLE PLATED WITH $.0003$ MIN Sn OVER $.001$ - $.003$ PLATING TO ACHIEVE A $.040$ HOLE
- ⑧ POWER CONTACT AREA LUBRICATED WITH LUBRICANT
- ⑨ NOT RELEASED FOR PRODUCTION

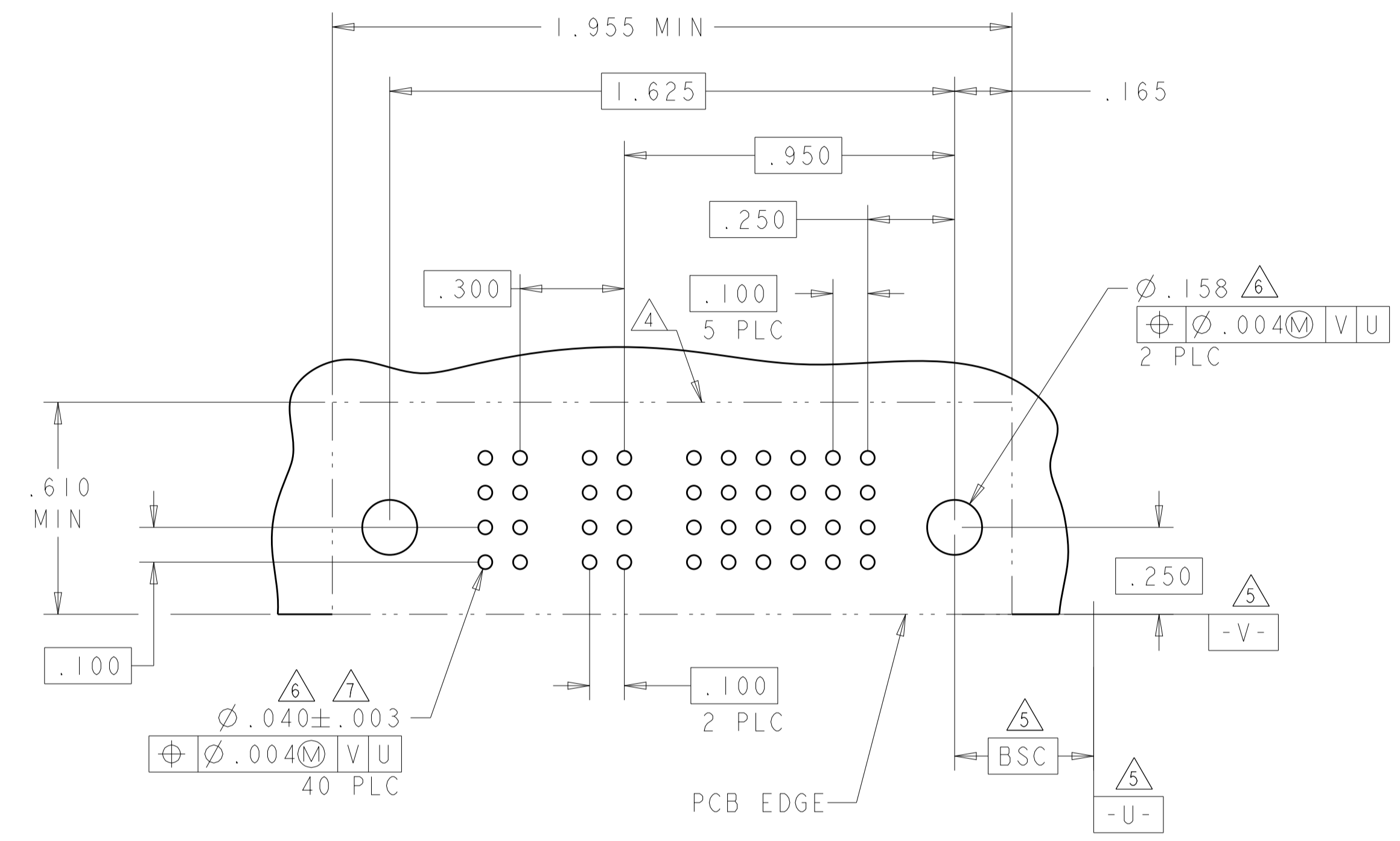


24S + 2ACP	1892521-1
DESCRIPTION	PART NUMBER

<small>THIS DRAWING IS UNPUBLISHED. RELEASED FOR PUBLICATION. IT IS THE PROPERTY OF TYCO ELECTRONICS CORPORATION AND IS TO BE CONTROLLED AND DISTRIBUTED ONLY TO THE EXTENT SPECIFIED BY THE CUSTOMER. ANY UNAUTHORIZED REPRODUCTION OR DISSEMINATION OF THIS INFORMATION IS PROHIBITED.</small>		DWN: D. ZHU 01JUN2007 CHK: S. ZHAO 01JUN2007 APVD: S. YAO	Tyco Electronics Corporation Shanghai, P.R. China, 200233
DIMENSIONS: INCHES 	TOLERANCES UNLESS OTHERWISE SPECIFIED: 0 PLC $\pm .01$ 1 PLC $\pm .01$ 2 PLC $\pm .01$ 3 PLC $\pm .005$ 4 PLC $\pm .0020$ ANGLES $\pm .2^\circ$	NAME: RIGHT ANGLE RECEPTACLE ASSEMBLY MULTI-BEAM XL SIZE: A1 CAGE CODE: 00779 DRAWING NO: 1892521	RESTRICTED TO: - SCALE: 4:1 SHEET: 1 OF 2 REV: A
MATERIAL: HOUSING - GLASS FILLED HIGH TEMP THERMO PLASTIC, UV94 V-0 SIGNAL CONTACT - HIGH CONDUCTIVITY COPPER ALLOY POWER CONTACT - HIGH CONDUCTIVITY COPPER ALLOY		CUSTOMER DRAWING	

LOC	DIST	REVISIONS			
P	LTH	DESCRIPTION	DATE	DWN	APVD
ES	00	SEE SHEET 1	-	-	-

PART NUMBER	ROWS	POWER		SIGNAL						
		P2	P1	6	5	4	3	2	1	
1892521-1	D	RM	RM	H	H	H	H	H	H	
	C			G	G	G	G	G	G	
	B			F	F	F	F	F	F	
	A			E	E	E	E	E	E	
24S + 2ACP										



CODE	DESCRIPTION	ROW
RM	POWER CONTACT STD, TAIL LENGTH .135	-
H	SIGNAL CONTACT TAIL LENGTH .135	D
G	SIGNAL CONTACT TAIL LENGTH .135	C
F	SIGNAL CONTACT TAIL LENGTH .135	B
E	SIGNAL CONTACT TAIL LENGTH .135	A

<small>THIS DRAWING IS UNPUBLISHED. RELEASED FOR PUBLICATION. IT IS THE PROPERTY OF TYCO ELECTRONICS CORPORATION. IT IS SUBJECT TO CHANGE AND WITHOUT WARRANTY OF MERCHANTABILITY. SHOULD BE CONTACTED FOR THE LATEST REVISION.</small>		DWN: D. ZHU CHK: S. ZHAO APVD: S. YAO	25APR2007 25APR2007 -	Tyco Electronics Corporation Shanghai, P.R. China, 200233
DIMENSIONS: INCHES	TOLERANCES UNLESS OTHERWISE SPECIFIED: 0 PLC ±. 1 PLC ±.01 2 PLC ±.01 3 PLC ±.01 4 PLC ±.005 5 PLC ±.002 ANGLES ±.020	NAME: RIGHT ANGLE RECEPTACLE ASSEMBLY PRODUCT SPEC: 108-1973 APPLICATION SPEC: 114-13038 WEIGHT: - CUSTOMER DRAWING	SIZE: A CAGE CODE: 00779 DRAWING NO: 1892521	RESTRICTED TO: - SCALE: 4:1 SHEET: 2 OF 2 REV: A