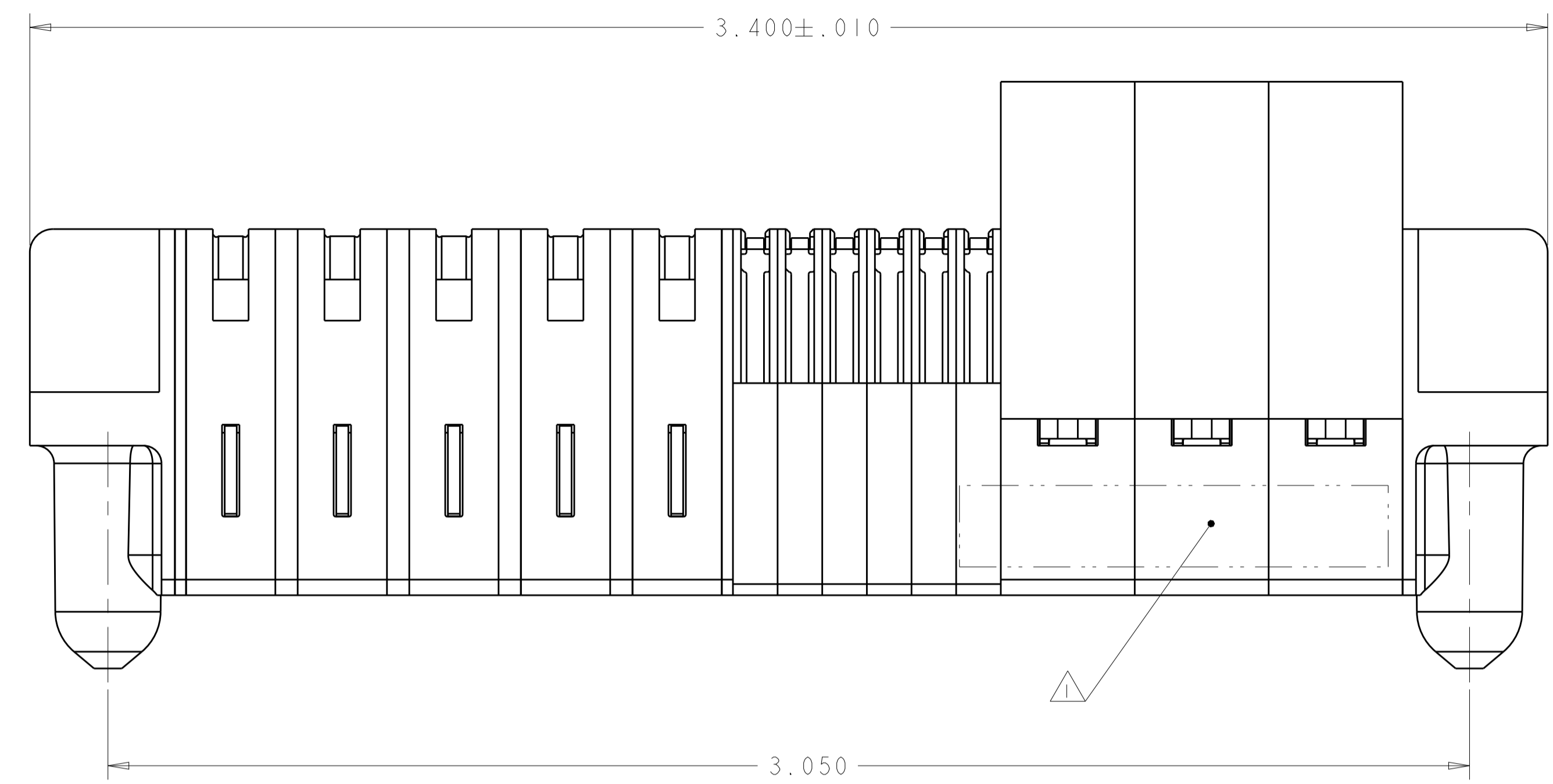
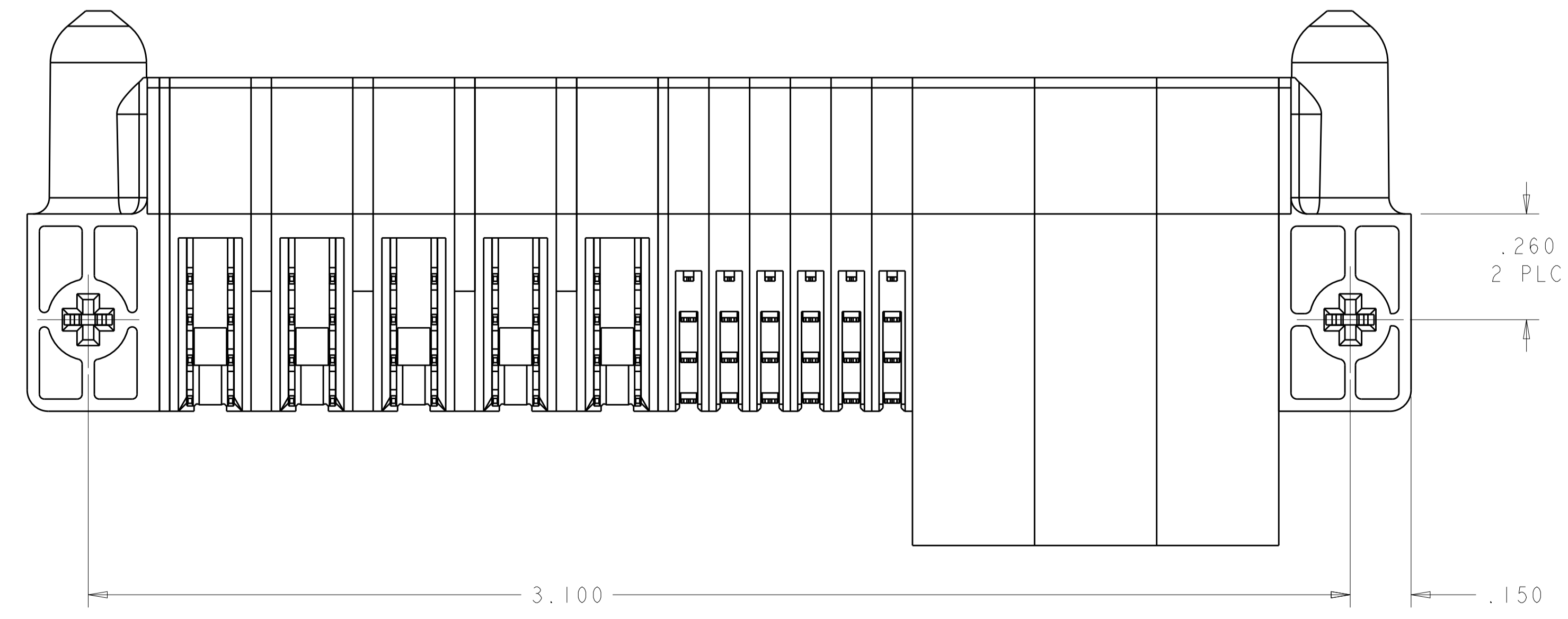
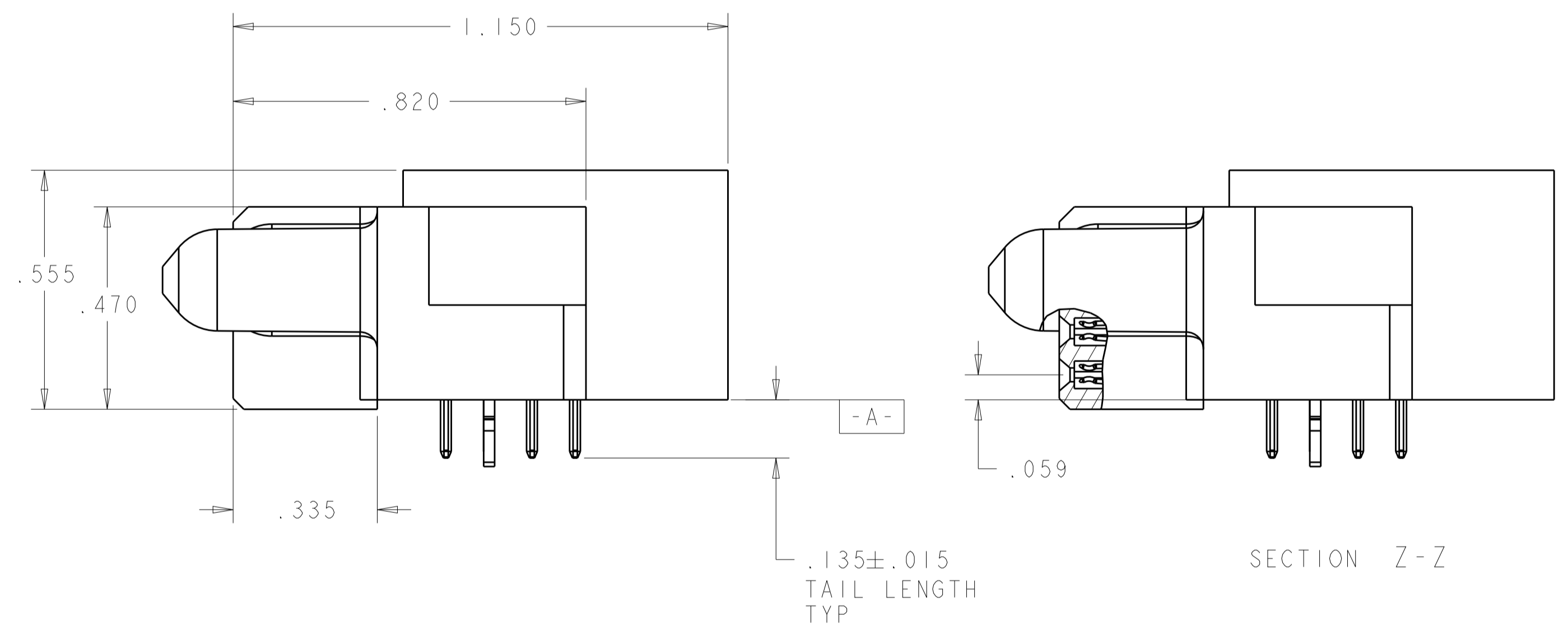
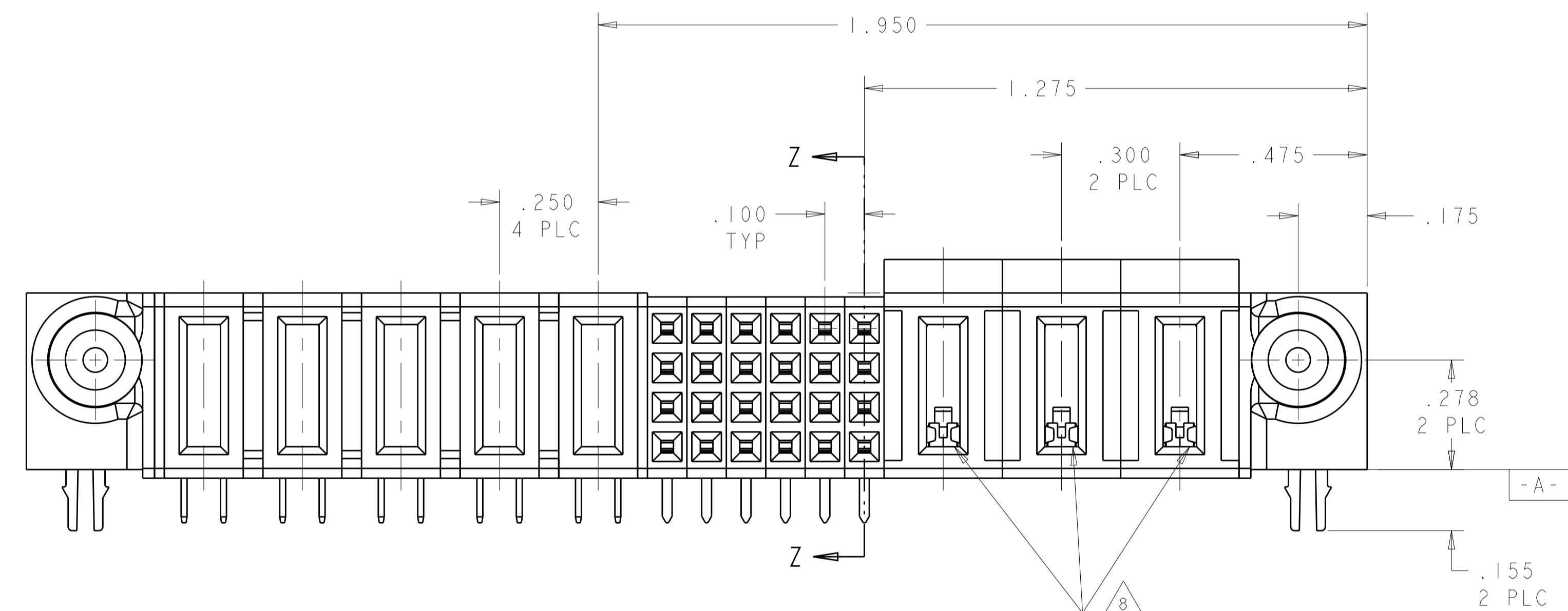


LOC	DIST	REVISIONS					
		P	LTN	DESCRIPTION	DATE	DWN	APVD
ES	00	A1		REV PER ECR-13-004638	18APR2007	CC	SZ



- 2 MATERIAL: HOUSING - GLASS FILLED HIGH TEMP THERMO PLASTIC, UL94 V-O.
SIGNAL CONTACT - COPPER ALLOY
POWER CONTACT - HIGH CONDUCTIVITY COPPER ALLOY
- 3 CONTACT PLATING: NOBLE METAL PLATING ON CONTACT FUNCTIONAL AREA OF POWER AND SIGNAL CONTACTS
- 4 MECHANICAL CONNECTOR KEEP OUT ZONE.
- 5 DATUM AND BASIC DIMENSIONS ESTABLISHED BY CUSTOMER.
- 6 PCB - ALL HOLE DIAMETERS ARE FINISHED HOLE SIZES
- 7 PCB - .0453±.0010 DRILLED HOLES PLATED WITH .0003 MIN Sn OVER .001 TO .003 Cu PLATING TO ACHIEVE A .040 DIAMETER HOLE
- 8 A/C POWER CABLE CONTACT LOADED IN THESE CAVITIES.
- 9 POWER CONTACT LUBRICATED WITH LUBRICANT

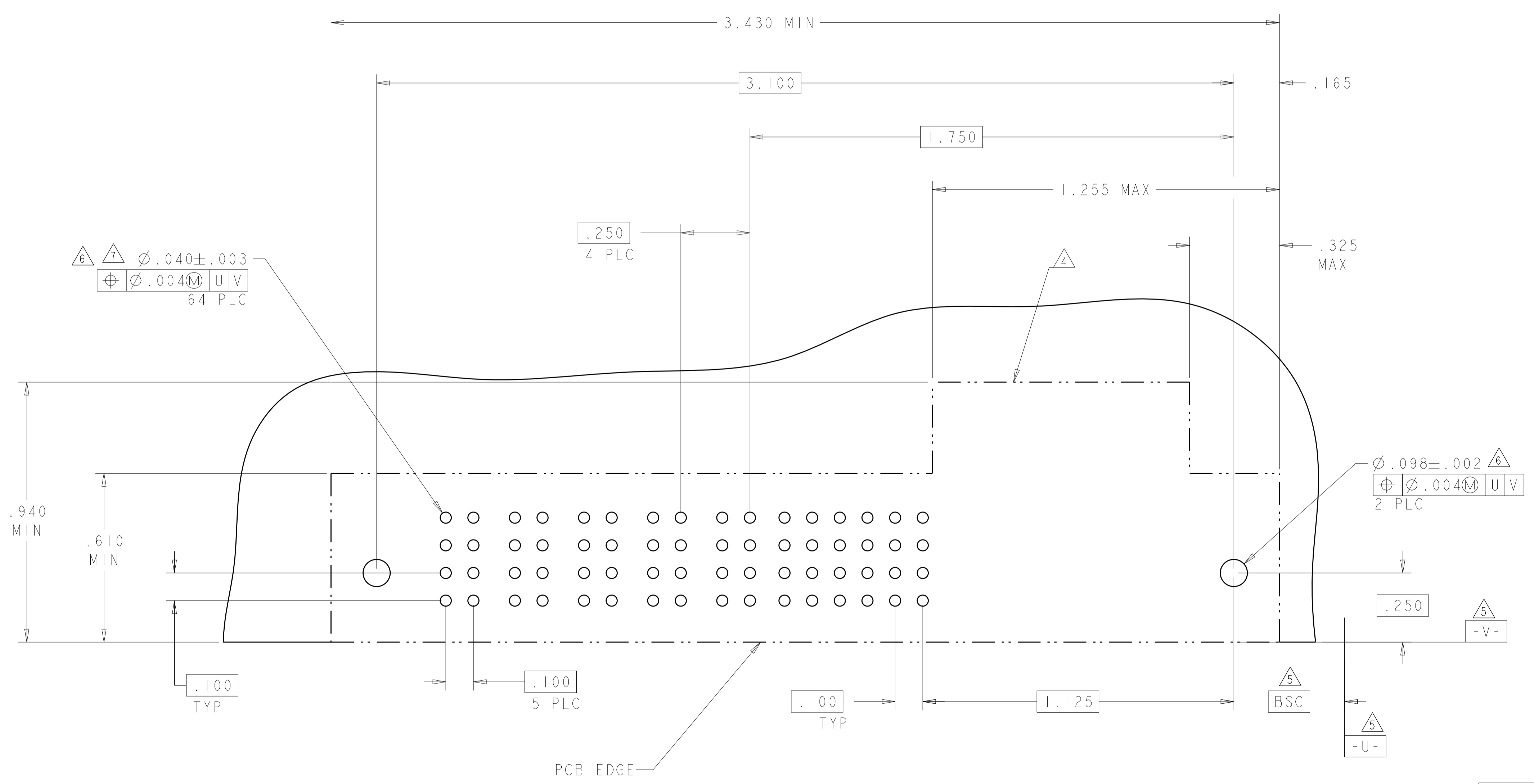
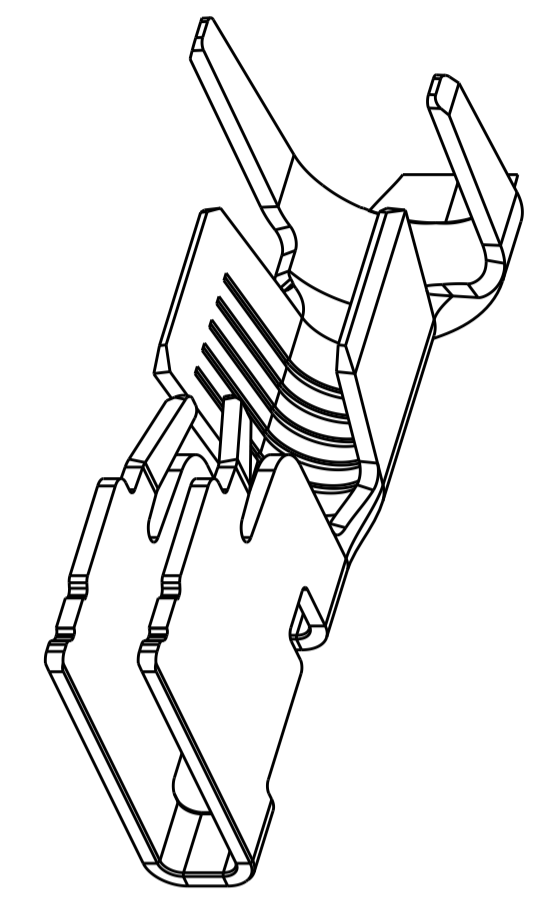


3ACP + 24S + 5P	1892508-1
DESCRIPTION	PART NUMBER

THIS DRAWING IS A CONTROLLED DOCUMENT.		DWN C. ZHOU 01FEB2007	NAME
DIMENSIONS: INCHES		CHK S. ZHAO 01FEB2007	TE Connectivity
TOLERANCES UNLESS OTHERWISE SPECIFIED:		APVD S. YAO	RIGHT ANGLE RECEPTACLE ASSEMBLY A/C PASS THRU W/GUIDES MULTI-BEAM XL
0 PLC ±.01	1 PLC ±.01	PRODUCT SPEC	108-1973
2 PLC ±.01	3 PLC ±.005	APPLICATION SPEC	114-13038
4 PLC ±.0020	ANGLES ±.2	SIZE	114-13038
MATERIAL	FINISH	WEIGHT	Customer Drawing
2	3	SCALE	4:1
SHEET 1 OF 2		REV	A1

LOC	DIST	REVISIONS			
ES	00	REV	DATE	BY	APPV
-	-	SEE SHEET 1	-	-	-

PART NUMBER	ROWS	POWER					SIGNAL						POWER		
		P8	P7	P6	P5	P4	6	5	4	3	2	1	P3	P2	P1
1892508-1	D C B A	RM	RM	RM	RM	H	H	H	H	H	H	STD	STD	STD	
						G	G	G	G	G	G				
						F	F	F	F	F	F				
3ACP + 24S + 5P		HD												HD	



CODE	DESCRIPTION	ROW
H	SIGNAL CONTACT, SOLDER TAIL	D
G	SIGNAL CONTACT, SOLDER TAIL	C
F	SIGNAL CONTACT, SOLDER TAIL	B
E	SIGNAL CONTACT, SOLDER TAIL	A
RM	POWER CONTACT, STD	-

THIS DRAWING IS A CONTROLLED DOCUMENT.

DW	C. ZHOU	01FEB2007
CHK	S. ZHAO	01FEB2007
APV	S. YAO	-

TE Connectivity

DIMENSIONS:	TOLERANCES UNLESS OTHERWISE SPECIFIED:	NAME
INCHES	0 PLC ±.01	RIGHT ANGLE RECEPTACLE ASSEMBLY
	1 PLC ±.01	A/C PASS THRU W/GUIDES
	2 PLC ±.01	MULTI-BEAM XL
	3 PLC ±.01	
	4 PLC ±.0020	
	ANGLES ±.020	
	FINISH #2	

MATERIAL	FINISH	WEIGHT	SIZE	CAGE CODE	DRAWING NO	RESTRICTED TO
-	-	-	A1	00779	C=1892508	-

Customer Drawing SCALE 4:1 SHEET 2 OF 2 REV A1