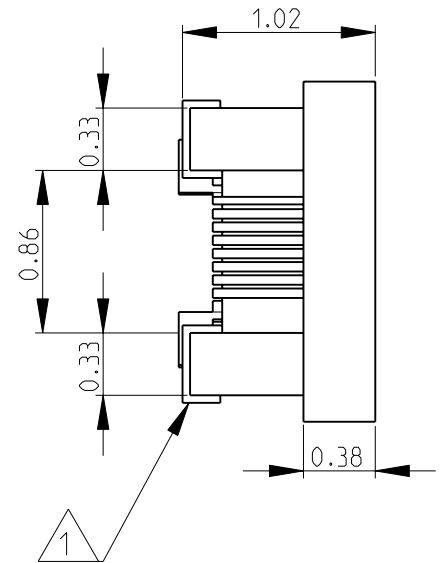
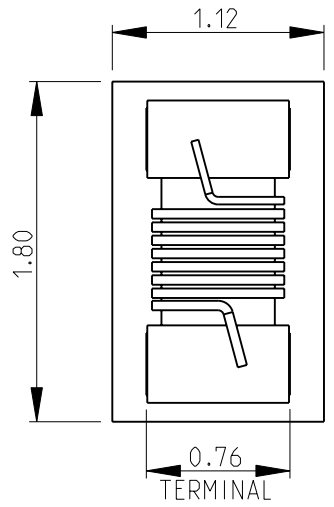


THIS DRAWING IS UNPUBLISHED. RELEASED FOR PUBLICATION 2009  
 © COPYRIGHT 2009 BY TYCO ELECTRONICS CORPORATION. ALL RIGHTS RESERVED.

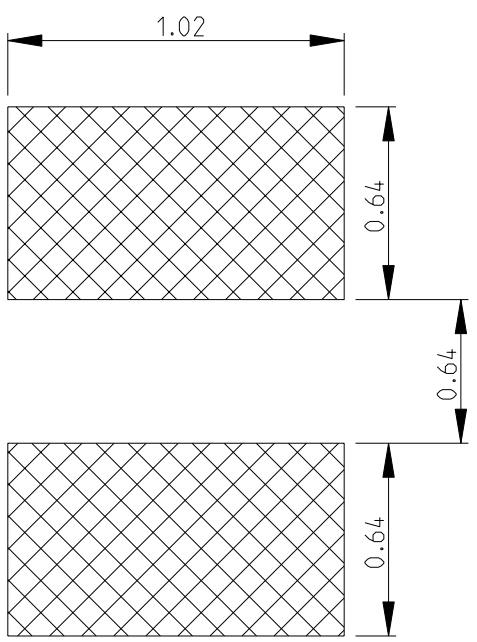
LOC		DIST		REVISIONS			
P	LTR	DESCRIPTION		DATE	DWN	APVD	
	BA	NEW RELEASE		16APR2010	PT	St.P	

SERIES 3650-1J AS SHOWN

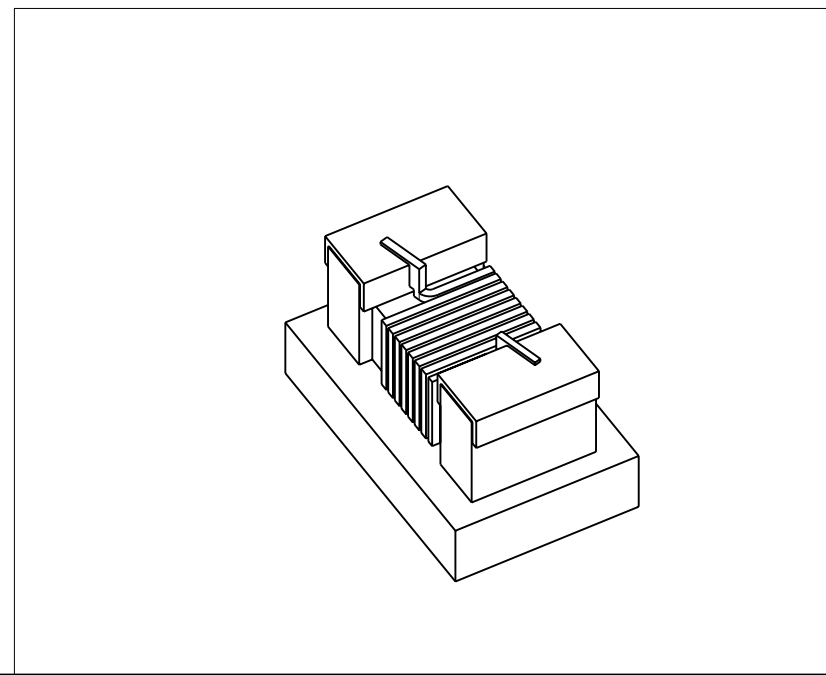
- 1 TERMINAL WRAPAROUND APPROX 0.007" (0.18mm) BOTH ENDS
- 2 FOR FURTHER INFORMATION SEE DATA SHEET FOR 3650 SERIES-LOW INDUCTANCE, HIGH FREQUENCY CHIP INDUCTOR



RECOMMENDED LAND PATTERN FOR 3650-1J SERIES



RoHS Compliant



<small>THIS DRAWING IS A CONTROLLED DOCUMENT FOR TYCO ELECTRONICS CORPORATION IT IS SUBJECT TO CHANGE AND THE CONTROLLING ENGINEERING ORGANIZATION SHOULD BE CONTACTED FOR THE LATEST REVISION.</small>		DWN	PARUSURAM.T	16APR2010	Tyco Electronics Corporation Dorcan, Swindon, SN3 5HH								
DIMENSIONS: mm		CHK	ALLAN.P	16APR2010									
		APVD	STEPHEN.P	16APR2010									
TOLERANCES UNLESS OTHERWISE SPECIFIED: 0 PLC ±0.2 1 PLC ±0.1 2 PLC ± 3 PLC ± 4 PLC ± ANGLES ±5°		PRODUCT SPEC	NAME			LOW INDUCTANCE, HIGH FREQUENCY CHIP INDUCTOR SERIES 36501J							
MATERIAL	-	FINISH	-		APPLICATION SPEC	-							
-		-		WEIGHT	-	SIZE	A3	CAGE CODE	00779	DRAWING NO	C=1879812	RESTRICTED TO	-
CUSTOMER DRAWING				SCALE	NTS	SHEET	1	OF	1	REV	BA		