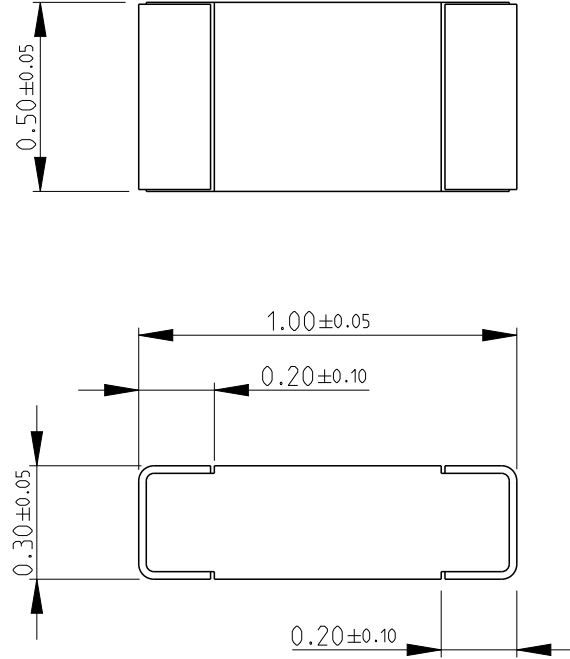
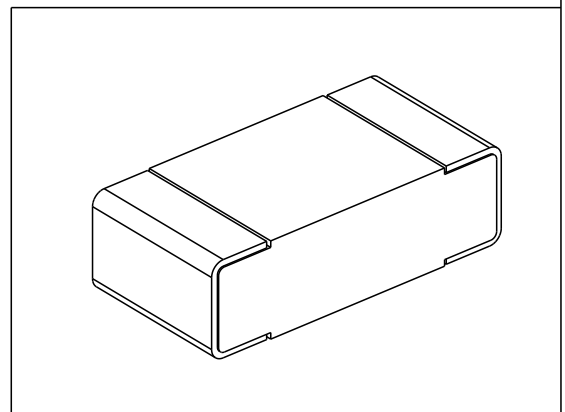


REVISIONS					
P	LTR	DESCRIPTION	DATE	DWN	APVD
	BA	NEW RELEASE	23MAR2017	RK	TN

FOR FURTHER INFORMATION SEE DATA SHEET FOR
CPF SERIES-THIN FILM PRECISION CHIP RESISTORS



RoHS Compliant



2008

RELEASED FOR PUBLICATION

ALL RIGHTS RESERVED.

BY -

© COPYRIGHT 2008

THIS DRAWING IS UNPUBLISHED.

DIMENSIONS: mm		DWN RAGHAVENDRA.K 23MAR2017	MATERIAL -	FINISH -			
TOLERANCES UNLESS OTHERWISE SPECIFIED:		CHK ALLAN.P 23MAR2017	 TE Connectivity				
0 PLC ± 0.2 1 PLC ± 0.1 2 PLC \pm 3 PLC \pm 4 PLC \pm ANGLES $\pm 5^\circ$		APVD TONY.N 23MAR2017					
		PRODUCT SPEC -	NAME THIN FILM PRECISION CHIP RESISTORS SERIES CPF 0402				
		APPLICATION SPEC -	SIZE A4	CAGE CODE 00779	DRAWING NO C-1879794	RESTRICTED TO -	
		WEIGHT -	CUSTOMER DRAWING		SCALE 50:1	SHEET 1 OF 1	REV BA