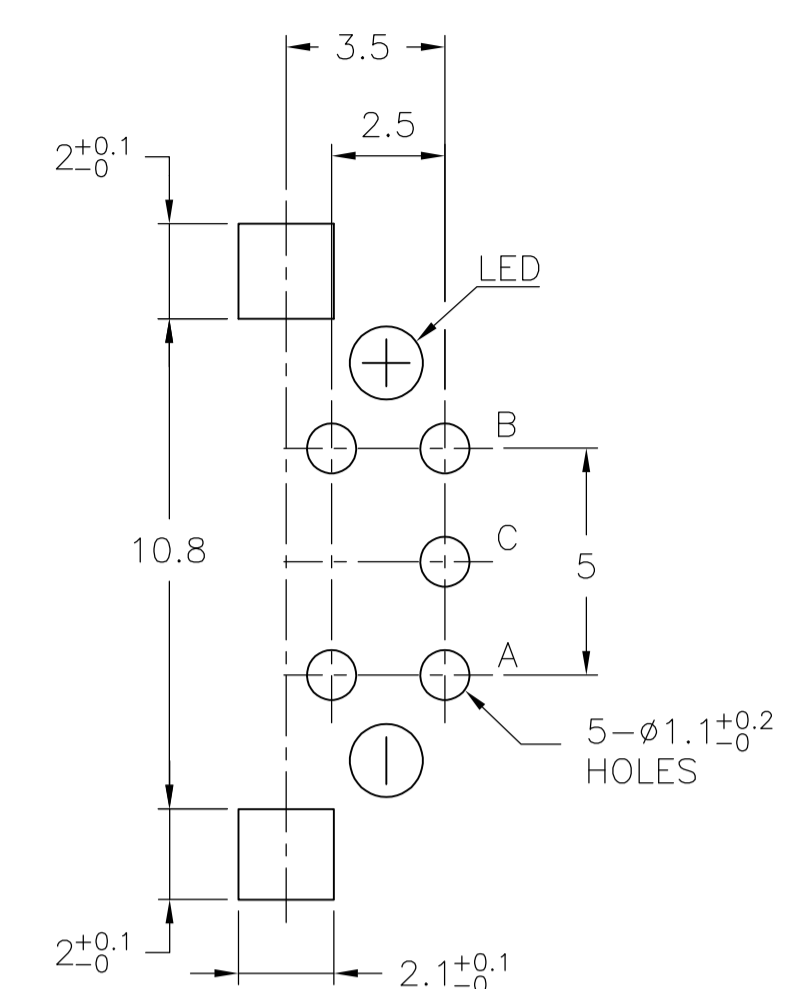
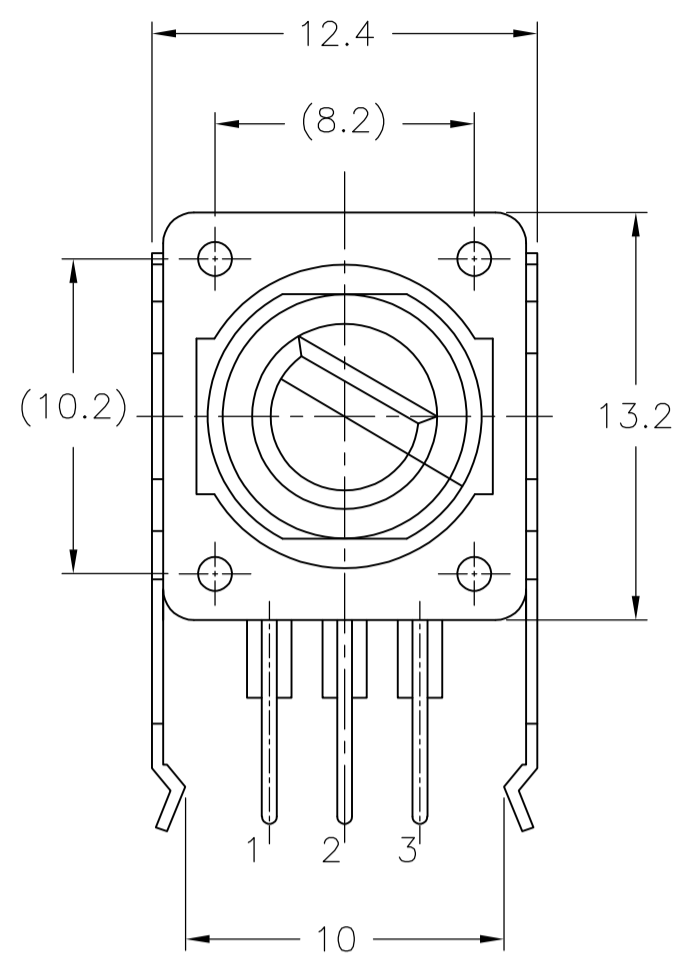
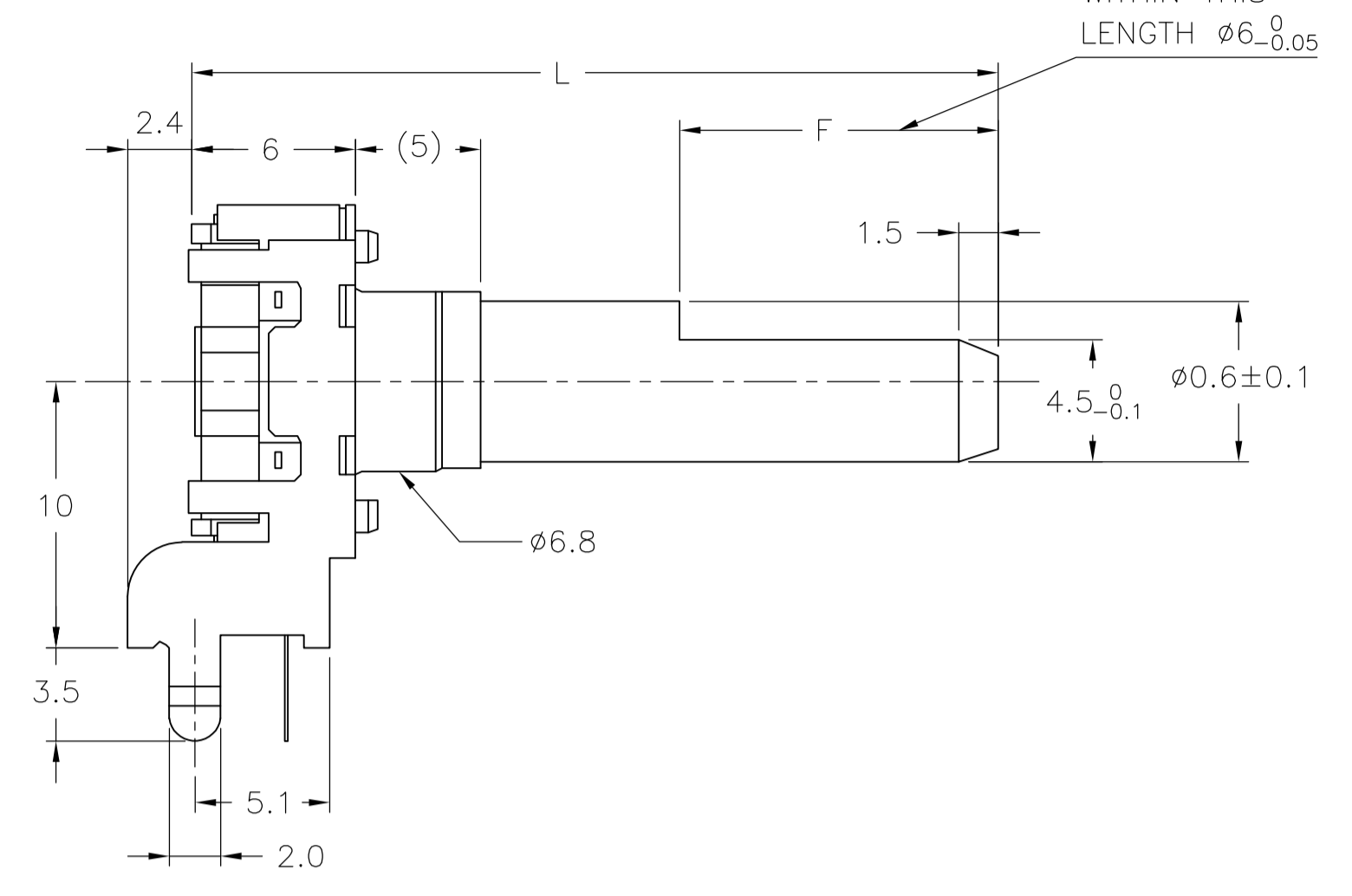


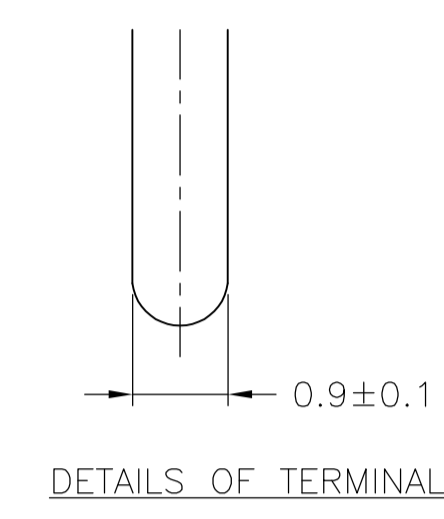
REVISIONS					
P	LTR	DESCRIPTION	DATE	DMN	APVD
BB		INITIAL RELEASE	01DEC2016	RK	PA

1 FOR FURTHER INFORMATION SEE DATA SHEET FOR 12mm ROTARY ENCODER.

DIMENSION-DPL12H

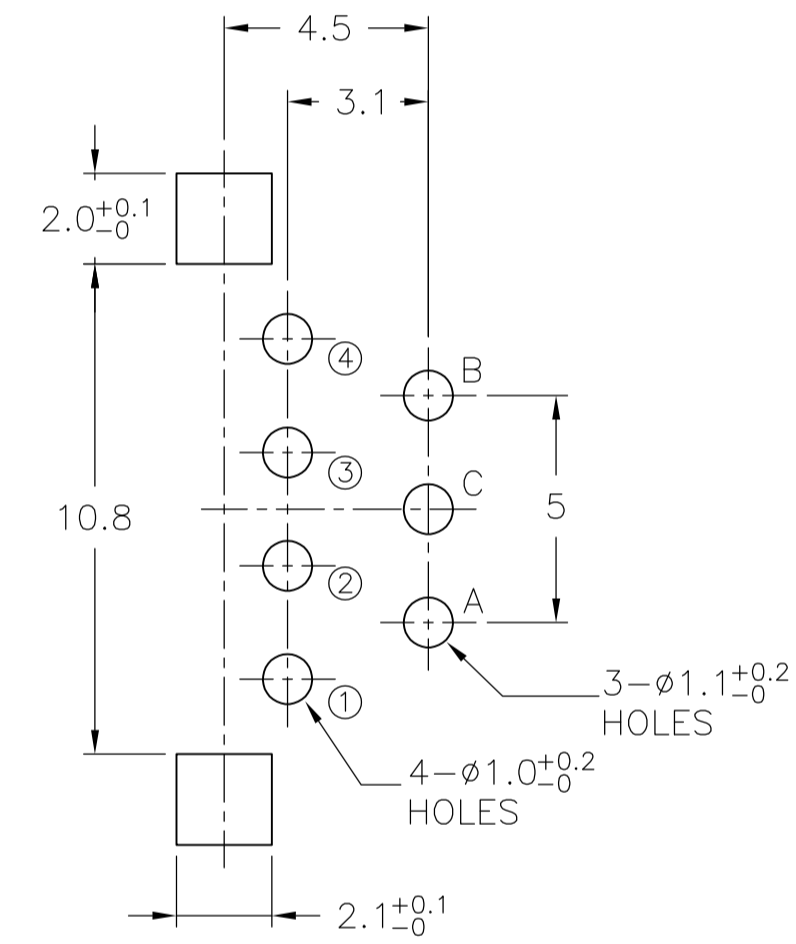
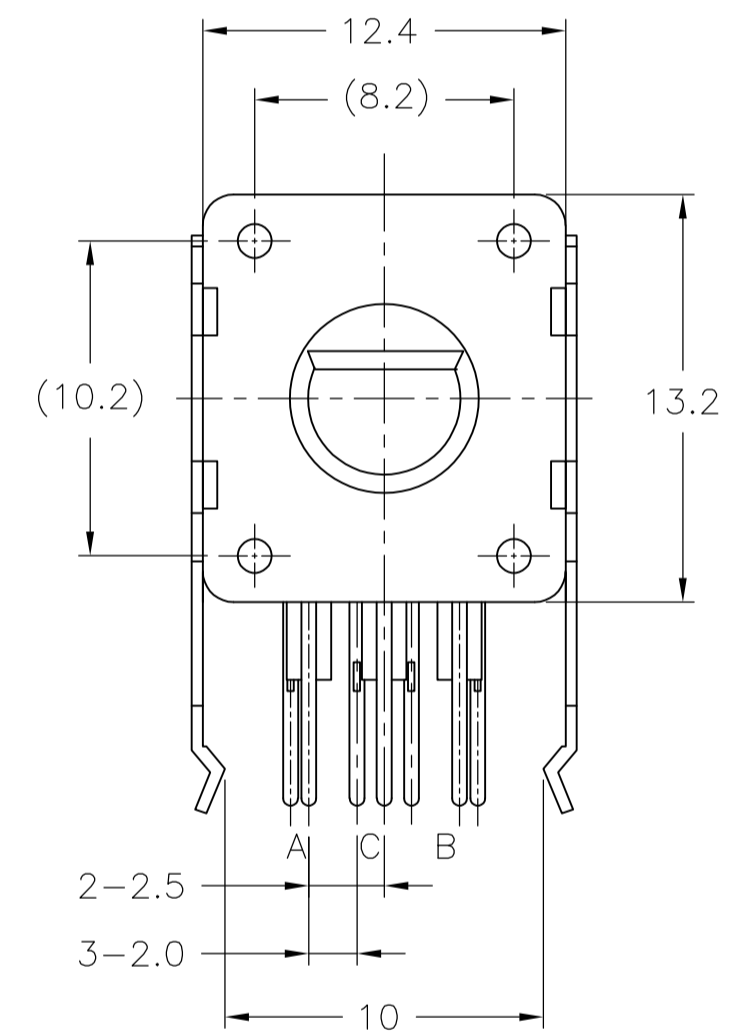
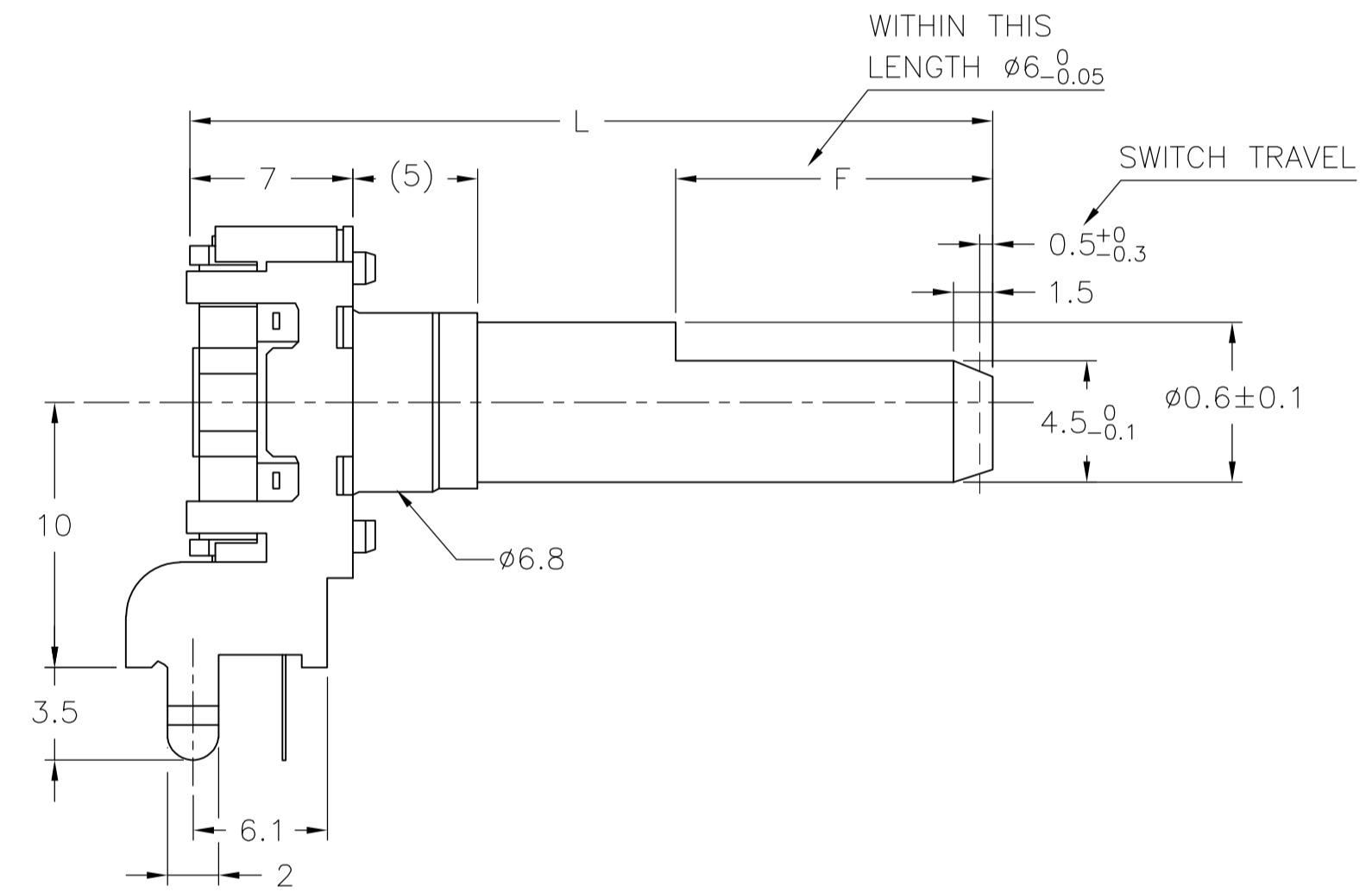


MOUNTING HOLE DETAIL
VIEWED FROM MOUNTING SIDE
P.C.B t=1.6mm

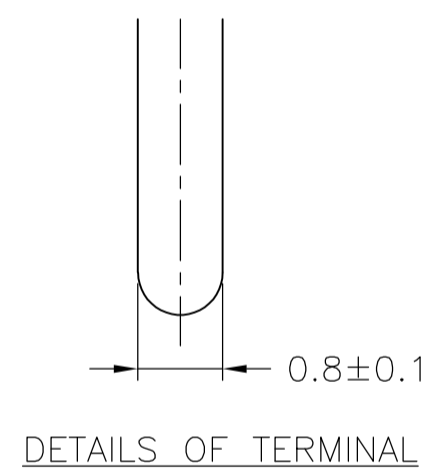


DETAILS OF TERMINAL

DIMENSION-DPL12SH



MOUNTING HOLE DETAIL
VIEWED FROM MOUNTING SIDE
P.C.B t=1.6mm



DETAILS OF TERMINAL

LED COLOUR MASTER GRID
DPL12
LED COLOR CODES

SWITCH OPTION	CODE	DESCRIPTION
SWITCH (DUAL COLOR)	1	BLUE/GREEN
	2	BLUE/ORANGE
	3	GREEN/RED
	4	RED/GREEN
	5	GREEN/ORANGE
	6	BLUE/RED
	7	WHITE/RED
	8	WHITE/GREEN
NO SWITCH (SINGLE COLOR)	R	RED
	L	LAWN GREEN
	B	BLUE
	O	ORANGE
	W	WHITE
	G	GREEN
	D	DARK ORANGE

SHAFT LENGTH MASTER GRID DPL12
SHAFT LENGTH - WITHOUT SWITCH

TYPE	DIM	OPTIONS (MM)		
K	L (FROM MOUNTING SURFACE)	24 ONLY		
F	L (FROM MOUNTING SURFACE)	17.5	20	25
	F	5	7	12

SHAFT LENGTH - WITH SWITCH

TYPE	DIM	OPTIONS (MM)		
K	L (FROM MOUNTING SURFACE)	25 ONLY		
F	L (FROM MOUNTING SURFACE)	18.5	21	26
	F	5	7	12

TOLERANCES	
L ≤ 10	±0.3
10 < L ≤ 100	±0.5
100 < L	±0.8

THIS DRAWING IS A CONTROLLED DOCUMENT.

DIMN	RAGHAVENDRA K	01DEC2016	TE Connectivity
CHK	ALLAN P	01DEC2016	
APVD	TONY N	01DEC2016	NAME
DIMENSIONS: mm			PRODUCT SPEC
TOLERANCES UNLESS OTHERWISE SPECIFIED:			APPLICATION SPEC
0 PLC	±	-	SIZE
1 PLC	±	0.2	CAGE CODE
2 PLC	±	-	DRAWING NO
3 PLC	±	-	RESTRICTED TO
4 PLC	±	-	WEIGHT
ANGLES	±	5°	A1 00779 C=1879749
MATERIAL	-	FINISH	-
CUSTOMER DRAWING			SCALE NTS SHEET 1 OF 1 REV BB