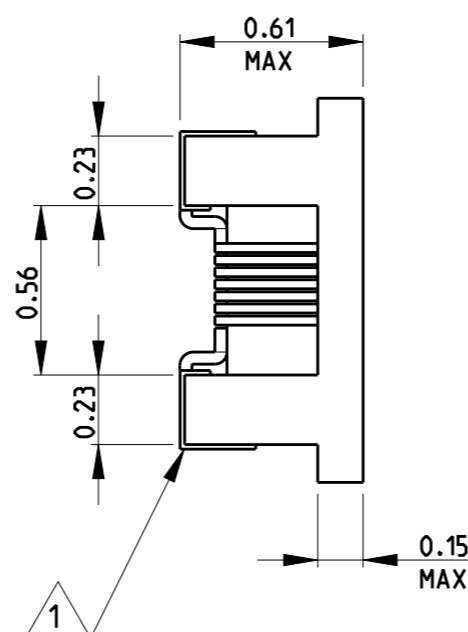
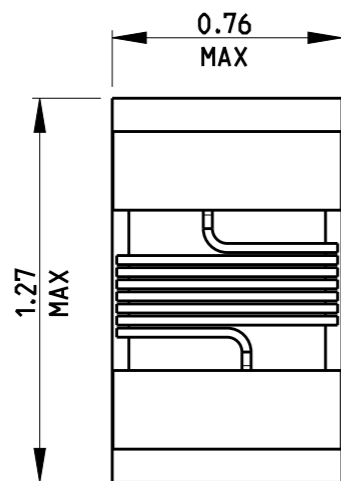


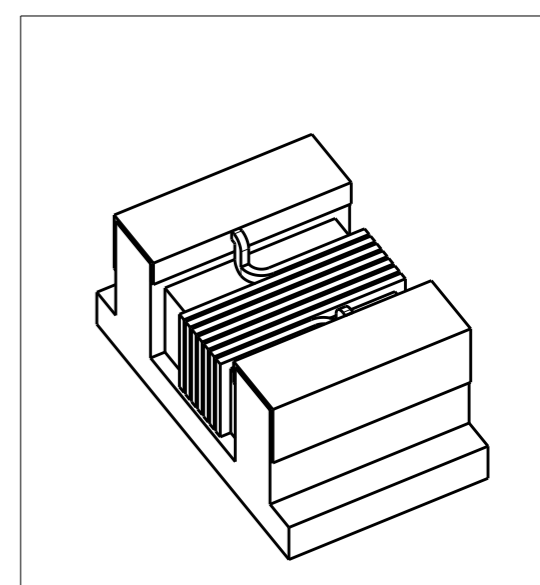
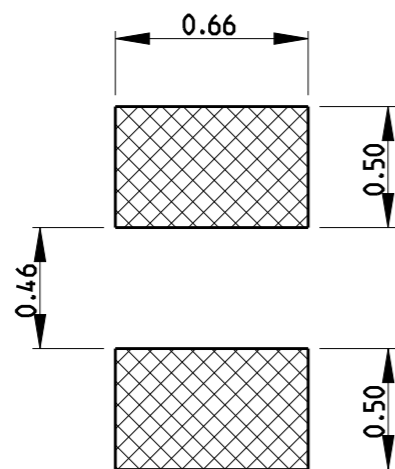
P	LTR	DESCRIPTION	DATE	DWN	APVD
	BA	INITIAL RELEASE	02APR2020	SR	AP

SERIES 36501E AS SHOWN



- 1. TERMINAL WRAPAROUND: 0.007" (0.18mm) APPROX. ON BOTH ENDS
- 2. FOR FURTHER INFORMATION SEE DATA SHEET FOR 3650 SERIES-LOW INDUCTANCE, HIGH FREQUENCY CHIP INDUCTOR

RECOMMENDED LAND PATTERN FOR 36501E SERIES



RoHS Compliant

THIS DRAWING IS A CONTROLLED DOCUMENT.		DWN SUPREETH R 02APR2020														
DIMENSIONS: mm		CHK A. PILE 02APR2020														
TOLERANCES UNLESS OTHERWISE SPECIFIED:		APVD A. PILE 02APR2020	NAME LOW INDUCTANCE, HIGH FREQUENCY CHIP INDUCTOR TYPE 3650 SERIES													
<table border="0"> <tr><td>0 PLC</td><td>±0.2</td></tr> <tr><td>1 PLC</td><td>±0.1</td></tr> <tr><td>2 PLC</td><td>±-</td></tr> <tr><td>3 PLC</td><td>±-</td></tr> <tr><td>4 PLC</td><td>±-</td></tr> <tr><td>ANGLES</td><td>±5°</td></tr> </table>		0 PLC	±0.2	1 PLC	±0.1	2 PLC	±-	3 PLC	±-	4 PLC	±-	ANGLES	±5°	PRODUCT SPEC -	RESTRICTED TO	
0 PLC	±0.2															
1 PLC	±0.1															
2 PLC	±-															
3 PLC	±-															
4 PLC	±-															
ANGLES	±5°															
MATERIAL -		FINISH -	APPLICATION SPEC -	SIZE A3												
		WEIGHT -	CAGE CODE 00779	DRAWING NO C-1879591												
CUSTOMER DRAWING			SCALE 40:1	SHEET 1 OF 1												
			REV BA													