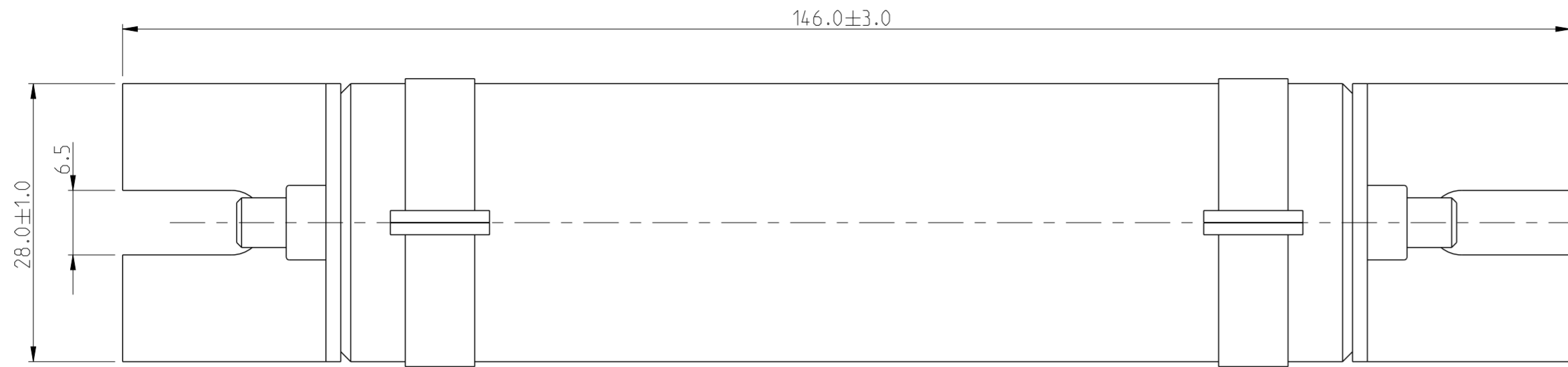


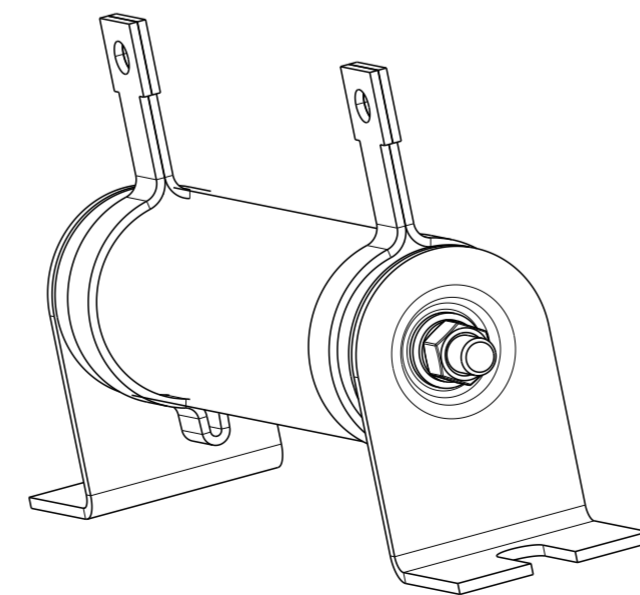
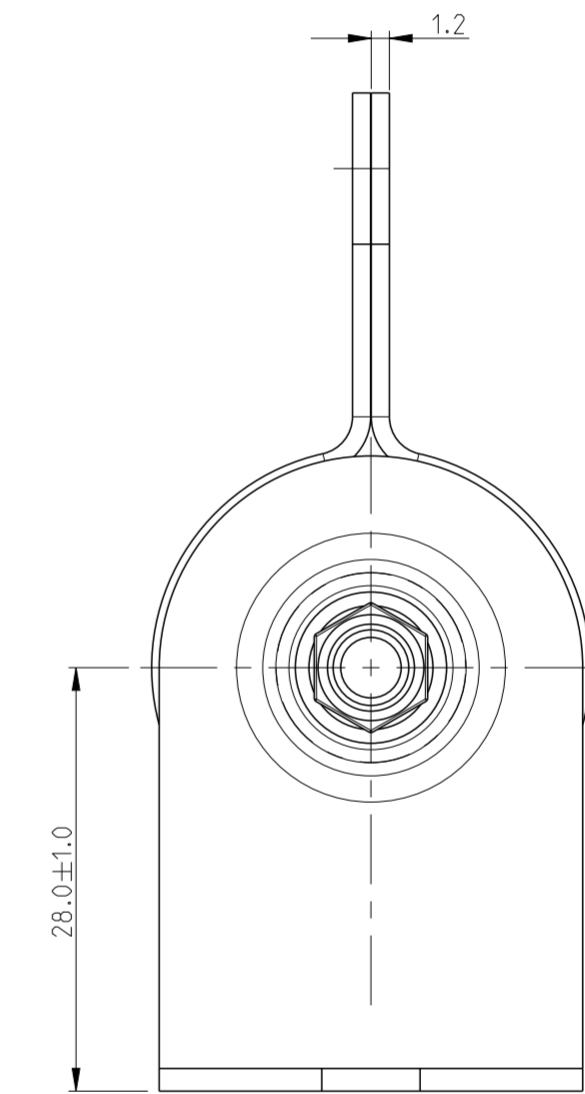
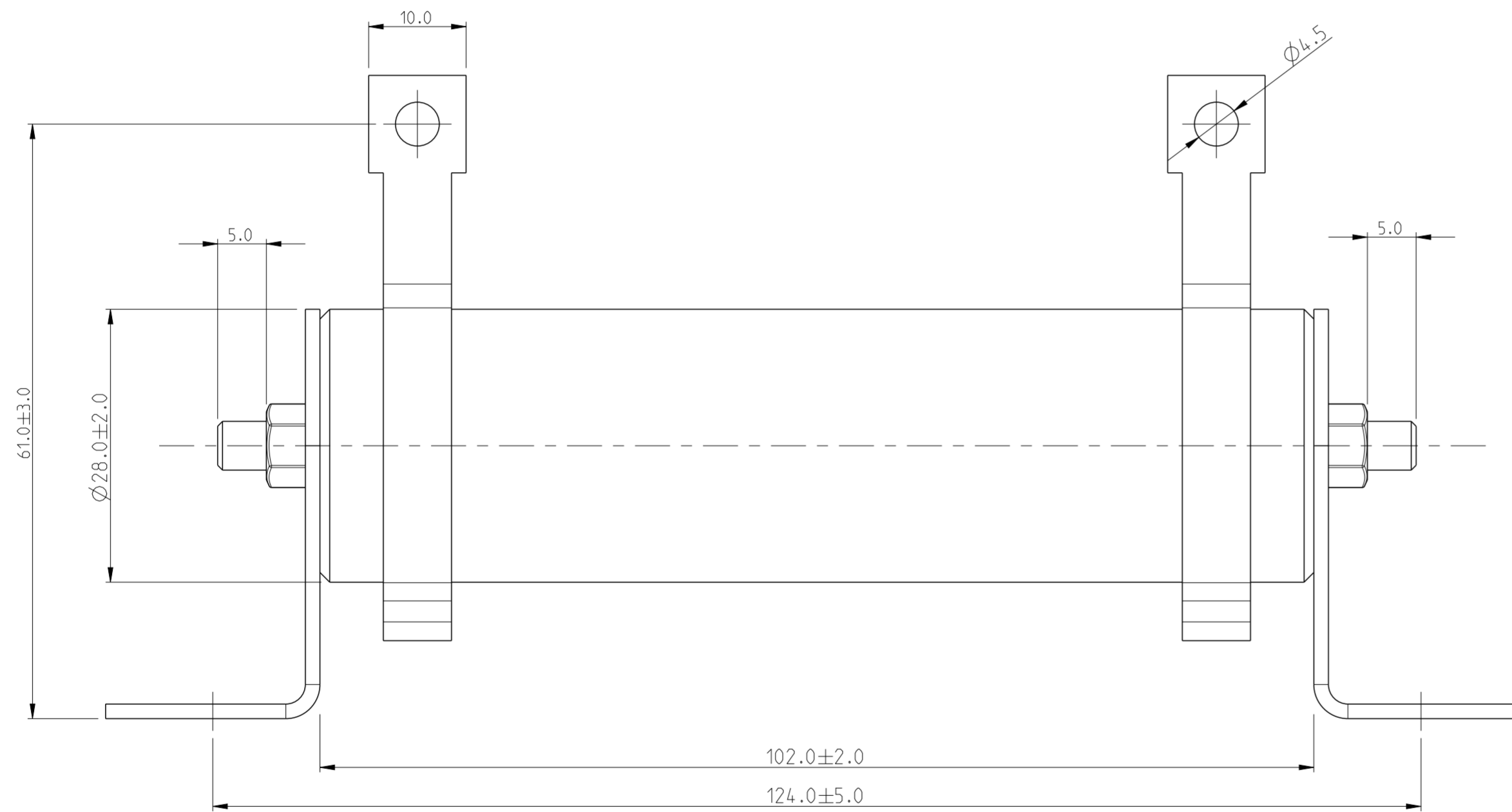
THIS DRAWING IS UNPUBLISHED. RELEASED FOR PUBLICATION 2009
 © COPYRIGHT 2009 ALL RIGHTS RESERVED.

LOC		DIST		REVISIONS			
P	LTR	DESCRIPTION		DATE	DWN	APVD	
	BB	INITIAL RELEASE		17NOV2015	KR	TN	



NOTES:

- POWER RATING: 50W
- INSULATION RESISTANCE DC 500V - 20 M OHMS MIN.
- VOLTAGE RESISTABILITY: AC 2500V 1 MINUTE
- TUBE BORE AND SIDE FACES SHOULD BE FREE OF PAINT
- PARTS SHALL BE BLANK, SMOOTH, FREE OF BURRS AND ALL OTHER FOREIGN MATERIAL
- FOR FURTHER INFORMATION SEE DATASHEET FOR TE SERIES HIGH POWER WIRE WOUND RESISTOR
- FOR SPECIFIC PART NUMBER, RESISTANCE VALUE AND TOLERANCE PLEASE REFER TO SMART PART SEARCH



1:1

RoHS Compliant

THIS DRAWING IS A CONTROLLED DOCUMENT.		DWN	16NOV2015	TE Connectivity	
		CHK	16NOV2015		
		APVD	16NOV2015	NAME	
		TONY N		HIGH POWER WIRE WOUND RESISTOR	
		PRODUCT SPEC		TE 50 SERIES	
		APPLICATION SPEC		SIZE	RESTRICTED TO
		WEIGHT		A2100779	-
		CUSTOMER DRAWING		CAGE CODE	DRAWING NO
		SCALE		1879441	-
		SHEET		1	1
		REV		BB	