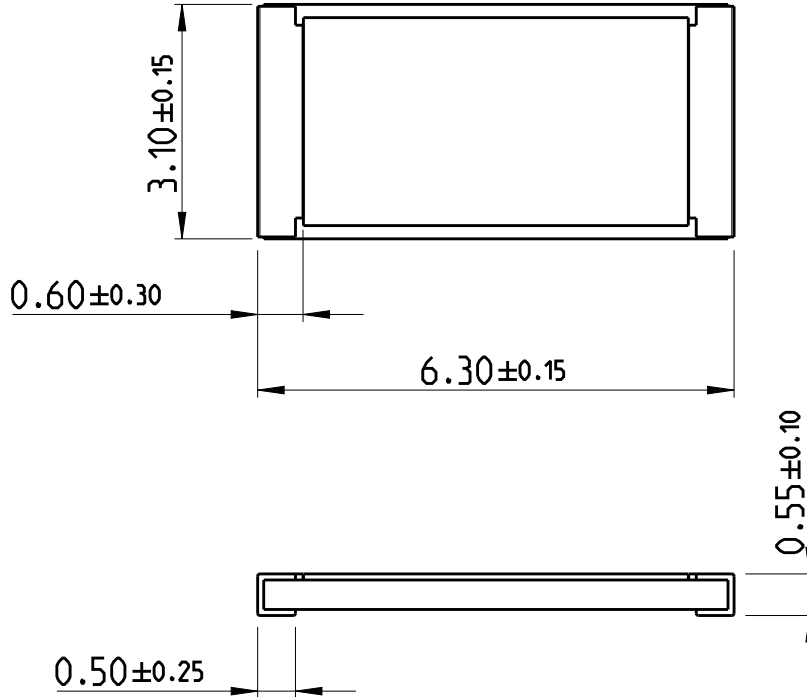
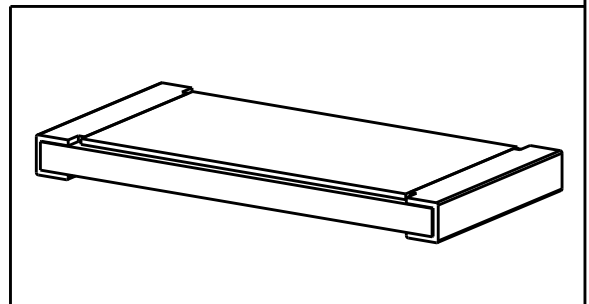


LOC	DIST	REVISIONS					
		P	LTR	DESCRIPTION	DATE	DWN	APVD
-	-		BA	NEW DRAWING	07AUG2012	KR	TN



FOR FURTHER INFORMATION SEE DATA SHEET FOR
PRECISION THIN FILM PRECISION RESISTORS- CPF SERIES

RoHS Compliant



20


RELEASED FOR PUBLICATION

ALL RIGHTS RESERVED.

THIS DRAWING IS UNPUBLISHED.

BY -

© COPYRIGHT 20

DIMENSIONS: mm	DWN RAGHAVENDRA K	07AUG2012	MATERIAL	-	FINISH	-
	CHK ALLAN P	07AUG2012	 TE Connectivity			
TOLERANCES UNLESS OTHERWISE SPECIFIED:	APVD TONY N	07AUG2012				
0 PLC ±	PRODUCT SPEC	-	NAME THIN FILM PRECISION RESISTORS TYPE CPF 2512 SERIES			
1 PLC ±0.5	APPLICATION SPEC	-	SIZE	CAGE CODE	DRAWING NO	RESTRICTED TO
2 PLC ±0.13			A 4	00779	C-1879394	-
3 PLC ±0.013	WEIGHT	0.038 Gram	SCALE 10:1			
4 PLC ±0.0001			SHEET 1 OF 1			
ANGLES ±			REV BA			
CUSTOMER DRAWING						

