

PN 0-1879327-1 AS SHOWN

P	LTR	DESCRIPTION	DATE	DWN	APVD
B		CABLE LENGTH CHANGED FOR 0-4	16JUL2010	PT	ST.P
C		LABEL TEXT CHANGED FOR 0-4	17JUN2020	MHS	ST.P

TE HEADER: 0-350766-1
CONTACT SOCKET,
PN: 926901-1 (2X)

1150±20

20±20

RESISTOR: CFH500 100R J WITH CUSTOM
LEAD LENGTH, LABEL AND CONNECTOR

R1652 500 100R J

DETAIL A

LABEL
LABEL TEXT TO READ: MCB-X13

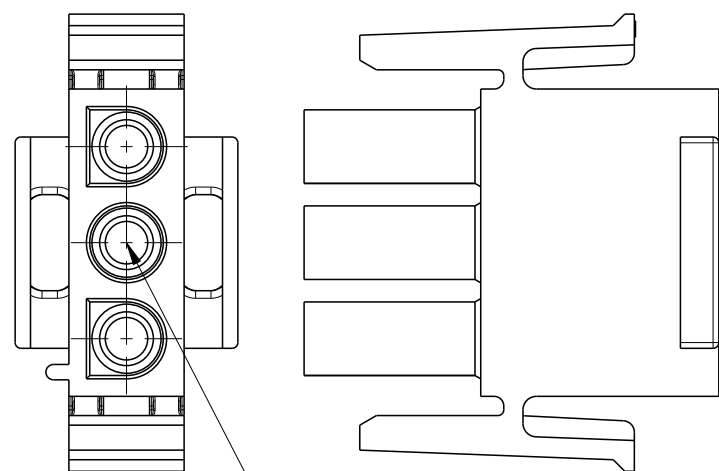
CABLE SPEC:
WIRE TYPE: C511
WORKING VOLTAGE: 500V
INSULATION THICKNESS: 0.55mm
CONDUCTOR STRANDS: 50 x 0.25mm
CONDUCTOR DIAMETER: 2.00mm

DETAIL A
SCALE 2:1

NOTE:

1. CABLES AND WIRES MUST BE UL/CSA APPROVED
2. LABEL MATERIAL: UL94 V-0, V1 OR V2 RATED

0-1879327-4	R1652 350 22R 5%	6001-0813-0101
0-1879327-3	R1652 350 50R 5%	6001-0713-1402
0-1879327-2	R1652 500 56R 5%	N/A
0-1879327-1	R1652 500 100R 5%	6001-0713-1602
TE PN	DESCRIPTION	CUSTOMER NO.



DO NOT USE PIN 2

THIS DRAWING IS A CONTROLLED DOCUMENT.		DWN SUBHASH.M 09-JAN-09																				
DIMENSIONS: mm		CHK PRAKASH.S 09-JAN-09																				
TOLERANCES UNLESS OTHERWISE SPECIFIED:		APVD STEPHEN.P 09-JAN-09																				
<table border="1"> <tr> <td>0 PLC</td> <td>±0.2</td> </tr> <tr> <td>1 PLC</td> <td>±0.1</td> </tr> <tr> <td>2 PLC</td> <td>±</td> </tr> <tr> <td>3 PLC</td> <td>±</td> </tr> <tr> <td>4 PLC</td> <td>±</td> </tr> <tr> <td>ANGLES</td> <td>±0.5°</td> </tr> <tr> <td>MATERIAL</td> <td>FINISH</td> </tr> <tr> <td>-</td> <td>-</td> </tr> <tr> <td>-</td> <td>-</td> </tr> </table>		0 PLC	±0.2	1 PLC	±0.1	2 PLC	±	3 PLC	±	4 PLC	±	ANGLES	±0.5°	MATERIAL	FINISH	-	-	-	-	NAME R1652	RESTRICTED TO	
0 PLC	±0.2																					
1 PLC	±0.1																					
2 PLC	±																					
3 PLC	±																					
4 PLC	±																					
ANGLES	±0.5°																					
MATERIAL	FINISH																					
-	-																					
-	-																					
		PRODUCT SPEC -	SIZE A3	CAGE CODE 00779	DRAWING NO 0-1879327																	
		APPLICATION SPEC -																				
		WEIGHT -																				
		CUSTOMER DRAWING	SCALE 1:1	SHEET 1 OF 4	REV C																	

REVISIONS

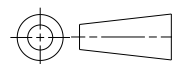
P	LTR	DESCRIPTION	DATE	DWN	APVD
		SEE SHEET 1			

PN: 0-1879327-2

THIS DRAWING IS A CONTROLLED DOCUMENT.

DIMENSIONS:

mm



TOLERANCES UNLESS OTHERWISE SPECIFIED:

- 0 PLC ±0.2
- 1 PLC ±0.1
- 2 PLC ±-
- 3 PLC ±-
- 4 PLC ±-
- ANGLES ±0.5°

MATERIAL

-

FINISH

-

DWN SUBHASH.M 09-JAN-09

CHK PRAKASH.S 09-JAN-09

APVD STEPHEN.P 09-JAN-09

PRODUCT SPEC

-

APPLICATION SPEC

-

WEIGHT

-

NAME R1652



TE Connectivity

SIZE	CAGE CODE	DRAWING NO	RESTRICTED TO
------	-----------	------------	---------------

A3	00779	C=1879327	
----	-------	-----------	--

CUSTOMER DRAWING

SCALE 1:1

SHEET 2 OF 4

REV C

PN 0-1879327-3 AS SHOWN

P	LTR	DESCRIPTION	DATE	DWN	APVD
		SEE SHEET 1			

TE HEADER: 0-350766-1
CONTACT SOCKET,
PN: 926901-1 (2X)

1150±20

20±20

RESISTOR: CFH350 50R J WITH CUSTOM
LEAD LENGTH, LABEL AND CONNECTOR

R1652 350 50R J

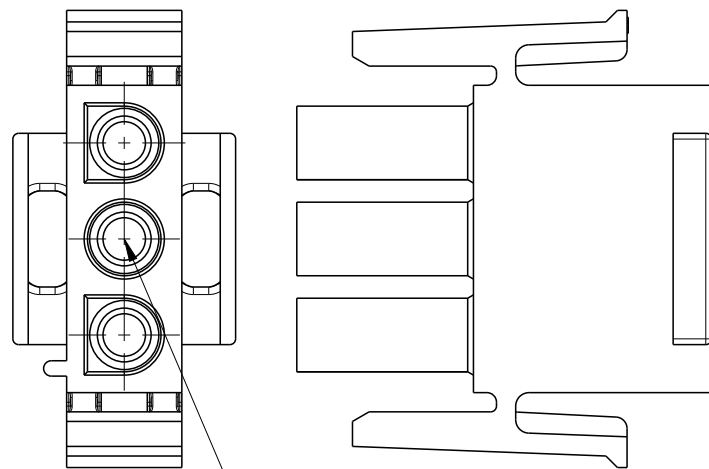
DETAIL A

LABEL
LABEL TEXT TO READ: MCB-X14


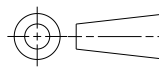
CABLE SPEC:
WIRE TYPE: C511
WORKING VOLTAGE: 500V
INSULATION THICKNESS: 0.55mm
CONDUCTOR STRANDS: 50 x 0.25mm
CONDUCTOR DIAMETER: 2.00mm

DETAIL A
SCALE 2:1

- NOTE:
1. CABLES AND WIRES MUST BE UL/CSA APPROVED
 2. LABEL MATERIAL: UL94 V-0, V1 OR V2 RATED



DO NOT USE PIN 2

THIS DRAWING IS A CONTROLLED DOCUMENT.		DWN SUBHASH.M 09-JAN-09	 TE Connectivity		
DIMENSIONS: mm		CHK PRAKASH.S 09-JAN-09			
		APVD STEPHEN.P 09-JAN-09			
TOLERANCES UNLESS OTHERWISE SPECIFIED:		NAME R1652	RESTRICTED TO		
0 PLC ±0.2 1 PLC ±0.1 2 PLC ± 3 PLC ± 4 PLC ± ANGLES ±0.5°		PRODUCT SPEC -	SIZE A3	CAGE CODE 00779	DRAWING NO C-1879327
MATERIAL -		FINISH -	WEIGHT -	SCALE 1:1	
		CUSTOMER DRAWING		SHEET 3 OF 4	REV C

PN 0-1879327-4 AS SHOWN

P	LTR	DESCRIPTION	DATE	DWN	APVD
		SEE SHEET 1			

TE HEADER: 0-350766-1
CONTACT SOCKET,
PN: 926901-1 (2X)

1100±20

20±20

RESISTOR: CFH350 22R J WITH CUSTOM
LEAD LENGTH, LABEL AND CONNECTOR

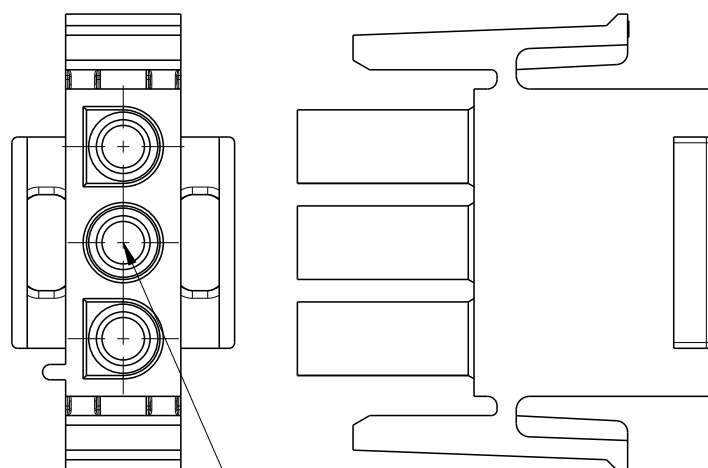
R1652 350 22R J

DETAIL A

LABEL
LABEL TEXT TO READ: MCB-X3/4

CABLE SPEC:
WIRE TYPE: C511
WORKING VOLTAGE: 500V
INSULATION THICKNESS: 0.55mm
CONDUCTOR STRANDS: 50 x 0.25mm
CONDUCTOR DIAMETER: 2.00mm


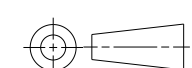
DETAIL A
SCALE 2:1



DO NOT USE PIN 2

NOTE:

1. CABLES AND WIRES MUST BE UL/CSA APPROVED
2. LABEL MATERIAL: UL94 V-0, V1 OR V2 RATED

THIS DRAWING IS A CONTROLLED DOCUMENT.		DWN SUBHASH.M 09-JAN-09	 TE Connectivity	
DIMENSIONS: mm		CHK PRAKASH.S 09-JAN-09		
		APVD STEPHEN.P 09-JAN-09		
TOLERANCES UNLESS OTHERWISE SPECIFIED:		NAME R1652	RESTRICTED TO	
0 PLC ±0.2		PRODUCT SPEC	SIZE	CAGE CODE
1 PLC ±0.1		APPLICATION SPEC	A3	00779
2 PLC ±		WEIGHT	DRAWING NO	©=1879327
3 PLC ±		CUSTOMER DRAWING	SCALE	1:1
4 PLC ±			SHEET	4 OF 4
ANGLES ±0.5°			REV	C
FINISH				