

THIS DRAWING IS UNPUBLISHED.

RELEASED FOR PUBLICATION

ALL RIGHTS RESERVED.

© COPYRIGHT - By -

LOC E DIST B

REVISIONS

P	LTR	DESCRIPTION	DATE	DWN	APVD
P		REVISED PER ECO-11-005150	21MAR11	RK	HMR

TECHNICAL SPECIFICATION

DISSIPATION AT 25°C

50 WATTS MOUNTED ON STANDARD HEATSINK R01 TO 50 K

BS OHMIC RANGE STABILITY

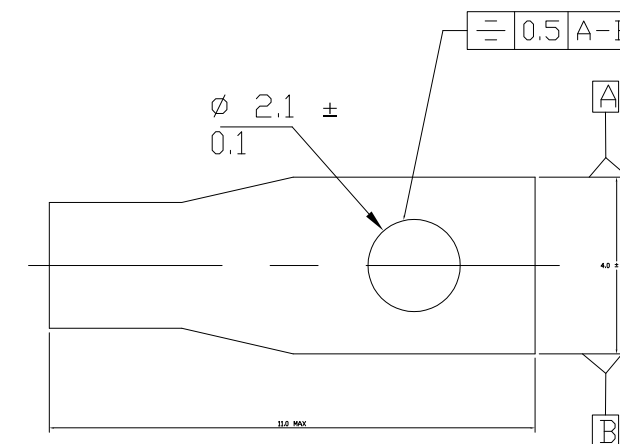
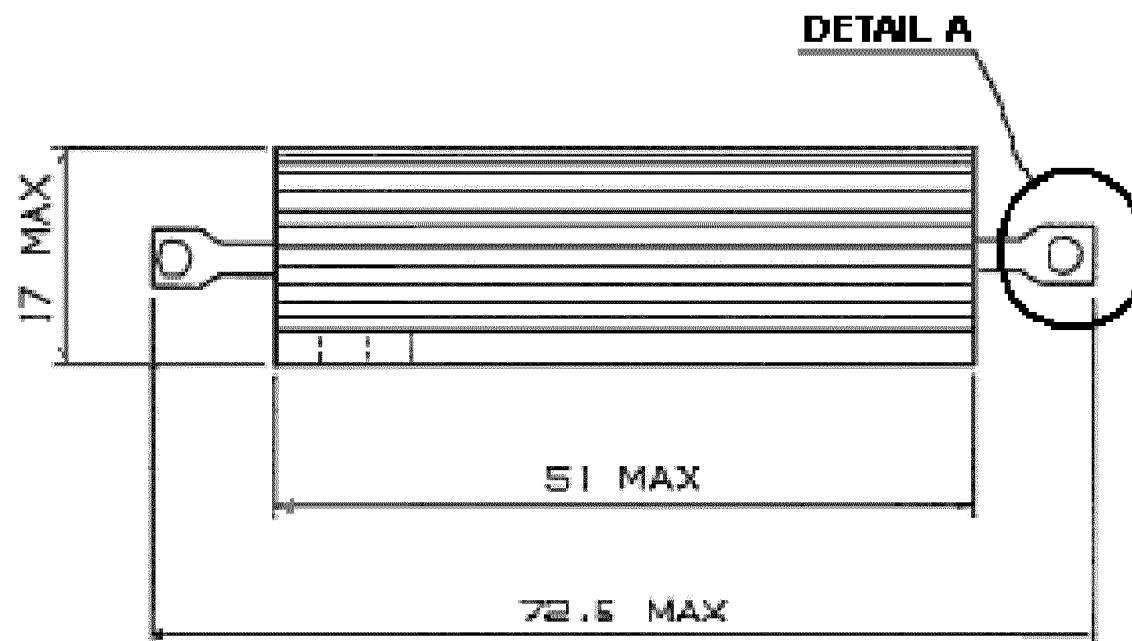
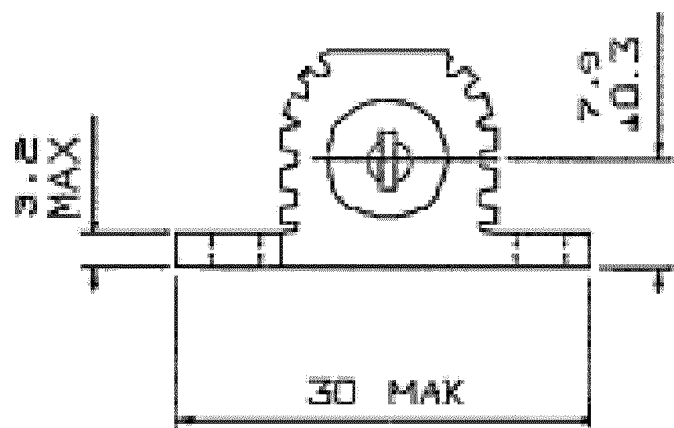
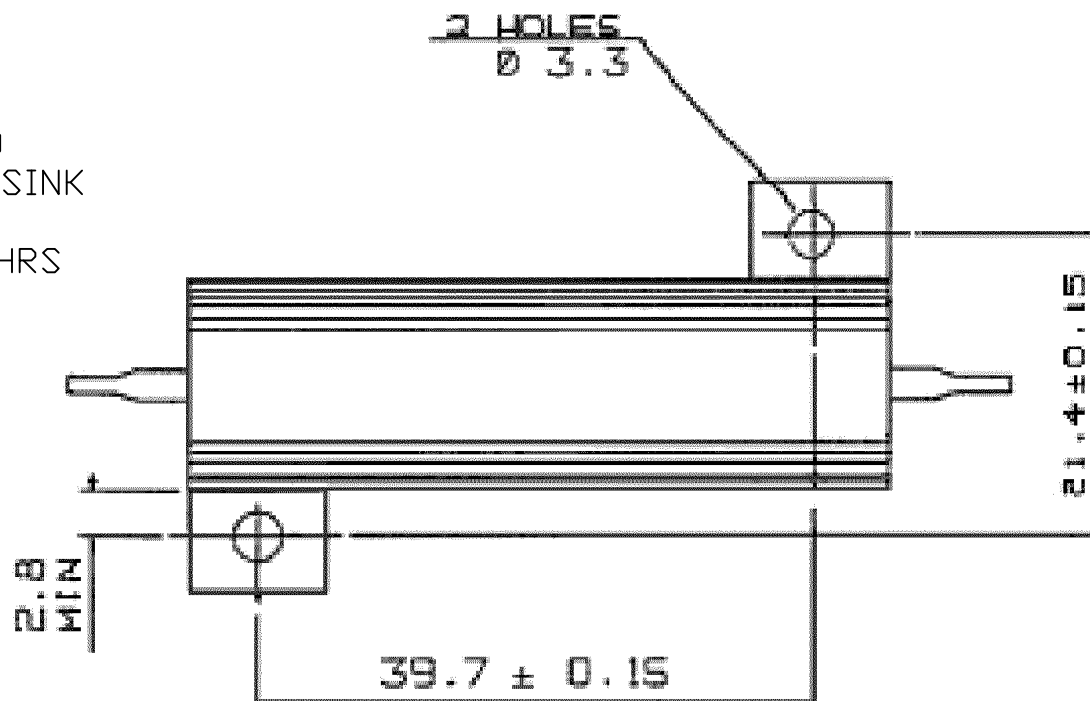
$\Delta R \leq 1\%$ PER 1000 HRS

ISOLATION VOLTAGE
MAX WORKING VOLTAGE
TEMP COEFFICIENT

2500V DC/AC PK
1250V DC/AC RMS
<100R $\pm 50\text{ppm}/^\circ\text{C}$
>100R $\pm 30\text{ppm}/^\circ\text{C}$

CLIMATIC CATEGORY

55/200/56



FOR A SPECIFIC PN FOR A RESISTANCE VALUE AND TOLERANCE, PLEASE REFER TO DMF.

RoHS Compliant

THIS DRAWING IS A CONTROLLED DOCUMENT.		DWN	ROB BLANCH	19SEPT06	STE TE Connectivity			
DIMENSIONS: mm		CHK	J CATCHPOLE	19SEPT06				
TOLERANCES UNLESS OTHERWISE SPECIFIED:		APVD	J CATCHPOLE	19SEPT06	NAME			
0 PLC	$\pm -$	PRODUCT SPEC		THS50 NARROW BORE METAL CLAD RESISTOR				
1 PLC	$\pm -$	APPLICATION SPEC		SIZE		CAGE CODE	DRAWING NO	RESTRICTED TO
2 PLC	$\pm -$	MATERIAL		A3		00779	C-1879071	-
3 PLC	$\pm -$	FINISH		CUSTOMER DRAWING		SCALE	SHEET	REV
4 PLC	$\pm -$	MATERIAL		-		NTS	1 OF 1	P
ANGLES	$\pm -$	MATERIAL		-				