

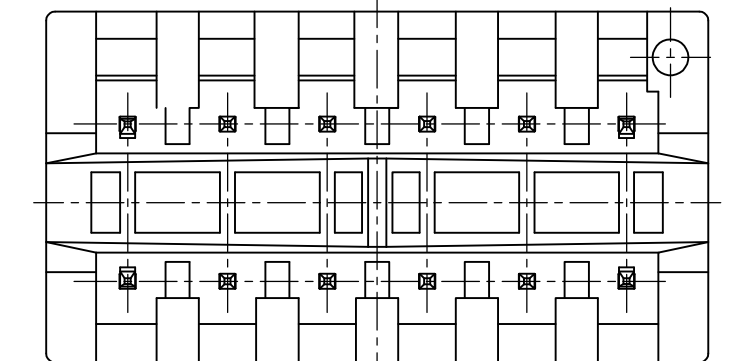
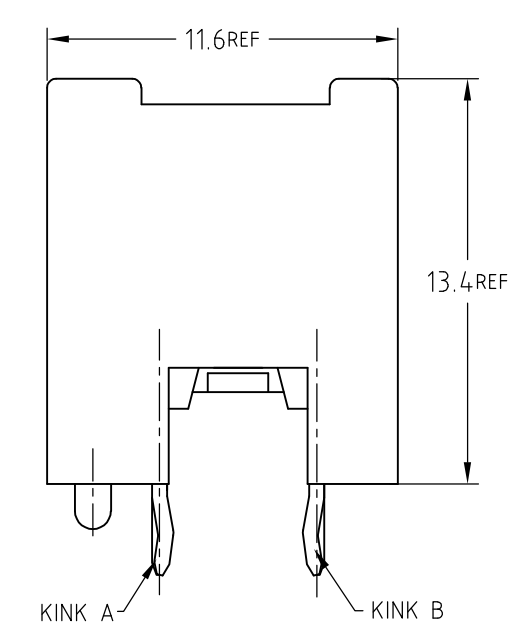
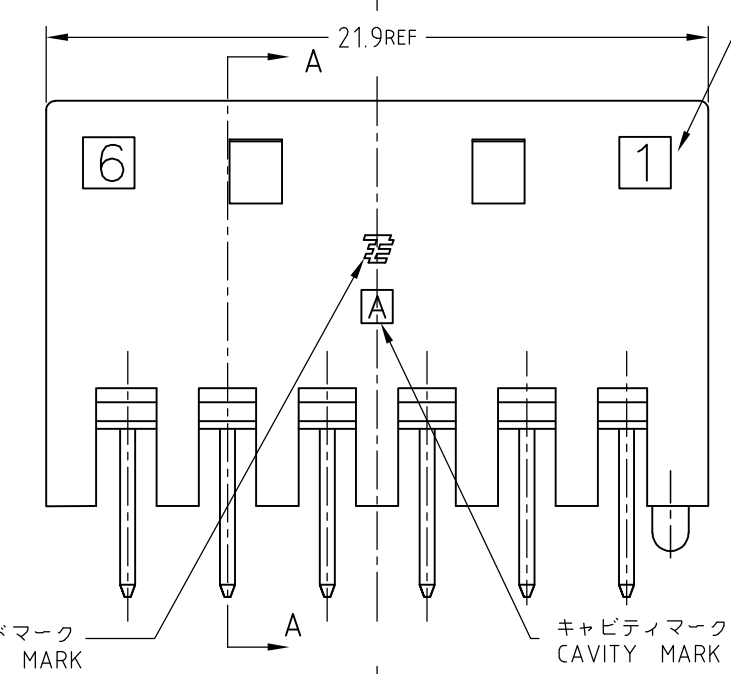
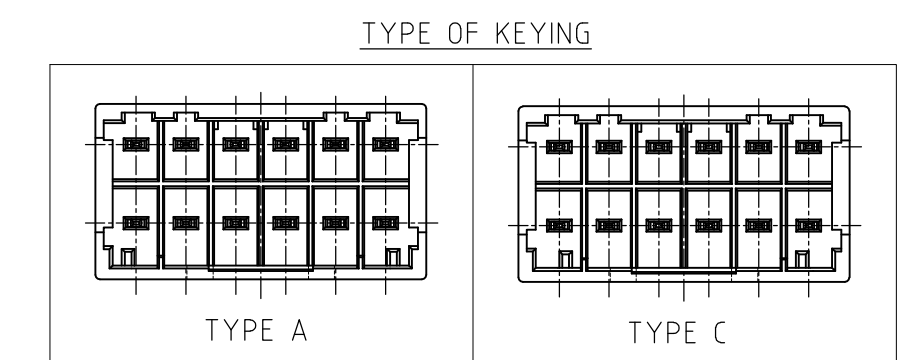
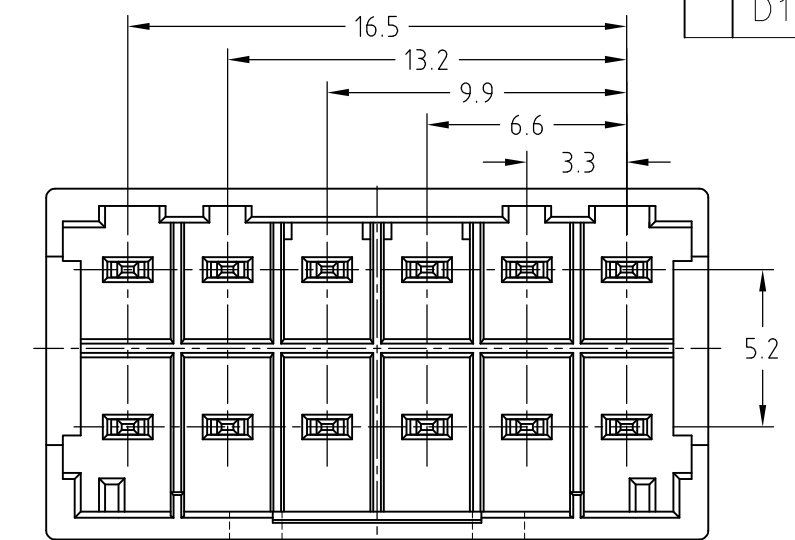
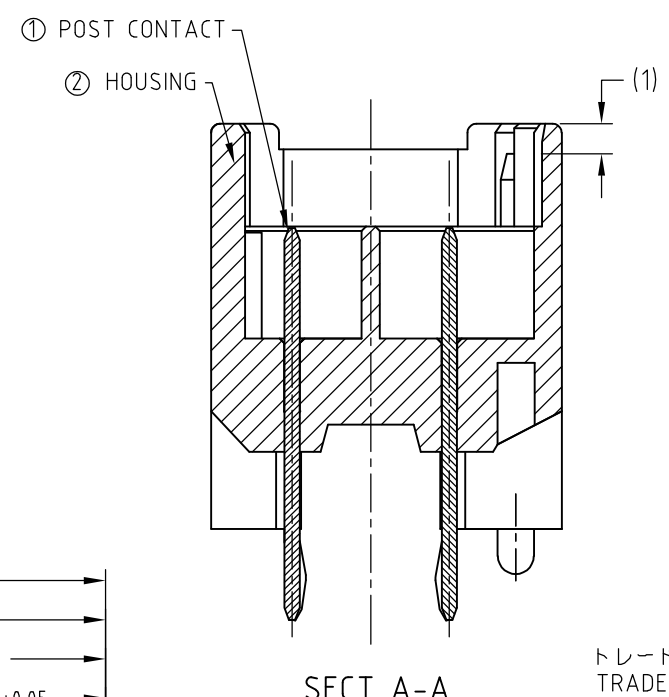
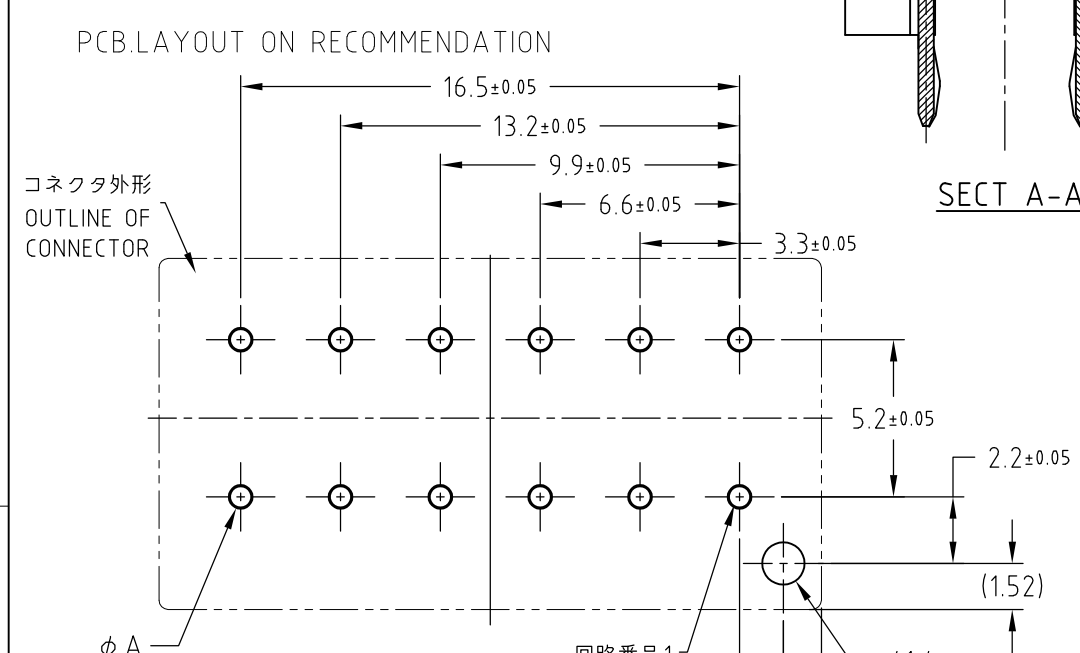
LOC	DIST	REVISIONS					
J	—	P	LTR	DESCRIPTION	DATE	DWN	APVD
				D1 REVISED PER ECR-10-019978	01OCT10	HMR	TM

TABLE

NO.	名称 (NAME)	材料 (MATERIAL)
②	ヘッダーハウジング (HEADER HOUSING)	6/6 ナイロンガラス強化UL94V-0 (6/6NYLON GRASS FILLED) UL94V-0
①	ポストコンタクト (POST CONTACT)	錫めっき仕上げ 銅合金 (COPPER ALLOY TIN PLATED)

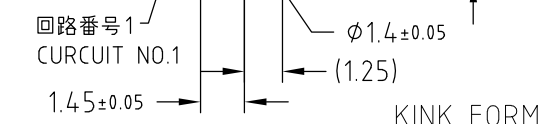
注
 △ 取付穴寸法
 2. 適応基板厚: 1.6t
 △ かん合相手製品型番:
 プラグハウジング: SEE TABLE

NOTES
 △ RECOMMENDED P.C.B LAYOUT
 2. APPLICABLE P.C.B THICKNESS:1.6
 △ MATING CONN.P/N:
 PLUG HOUSING:SEE TABLE



2-1871570-3	C	WITH	BLUE	2-1871571-3
1871570-1	A	WITHOUT	NATURAL	5-1871571-1
1871570-1	A	WITH	NATURAL	1871571-1
MATING CONN.P/N △	TYPE OF KEYING	KINK	COLOR	PART NUMBER

パンチ加工 (PUNCHED HOLE)	0.7 +0.1 -0
ドリル加工 (DRILLED HOLE)	0.8±0.05
	A寸法 DIM.A



×CHARACTOR IS STRAIGHT PIN.

KINK FORM	B	S	S	S	S	B
CURCUIT NO.	12	11	10	9	8	7
KINK FORM	A	S	S	S	S	A
CURCUIT NO.	6	5	4	3	2	1

THIS DRAWING IS A CONTROLLED DOCUMENT.

DWN T.HATANO 23FEB2006
 CHK N.YAMASAKI 23FEB2006
 APVD N.YAMASAKI 23FEB2006

Tyco Electronics
 Tyco Electronics AMP K.K.
 Kawasaki, Japan

NAME 名称: GRACE INERTIA CONNECTOR 3.3
 製品規格: 108-78231
 APPLICATION SPEC 取付適用規格: —

SIZE: A3 CAGE CODE: 00779 DRAWING NO 番号: C-1871571 RESTRICTED TO: —

SCALE 尺度: 4:1 SHEET 1 OF 1 REV D1

CUSTOMER DRAWING