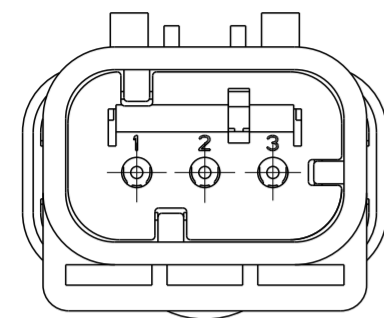
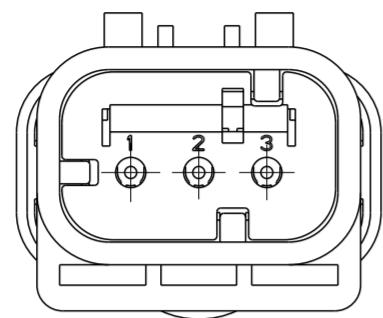


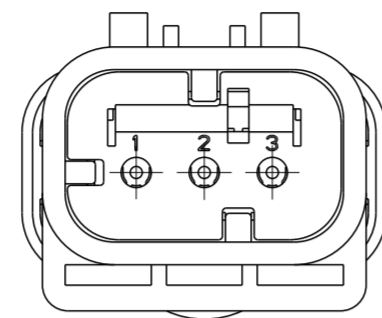
REVISIONS				
P	LTR	DESCRIPTION	DATE	APVD
	D1	REVISED PER ECR-10-019377	04OCT2010	HMR TM
	E	REVISED PER ECR-14-000206	26DEC2013	PV RB
	E1	REVISED PER ECR-24-201925	05MAR2024	HY TK



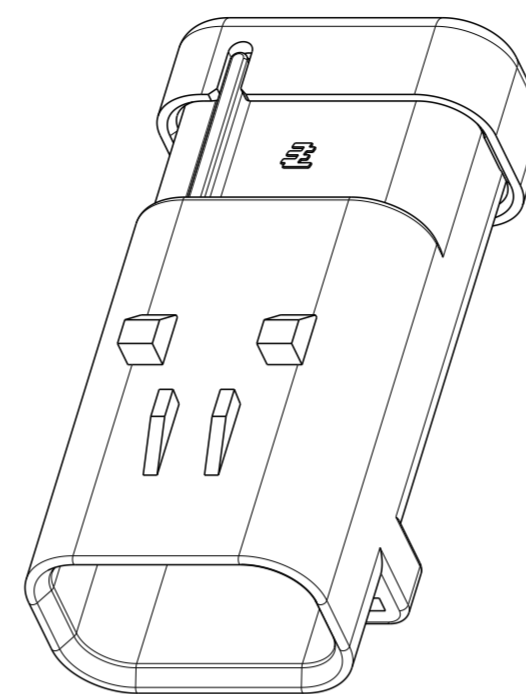
1871413-2
 SCALE 2:1



1871413-3
 SCALE 2:1



1871413-4
 SCALE 2:1

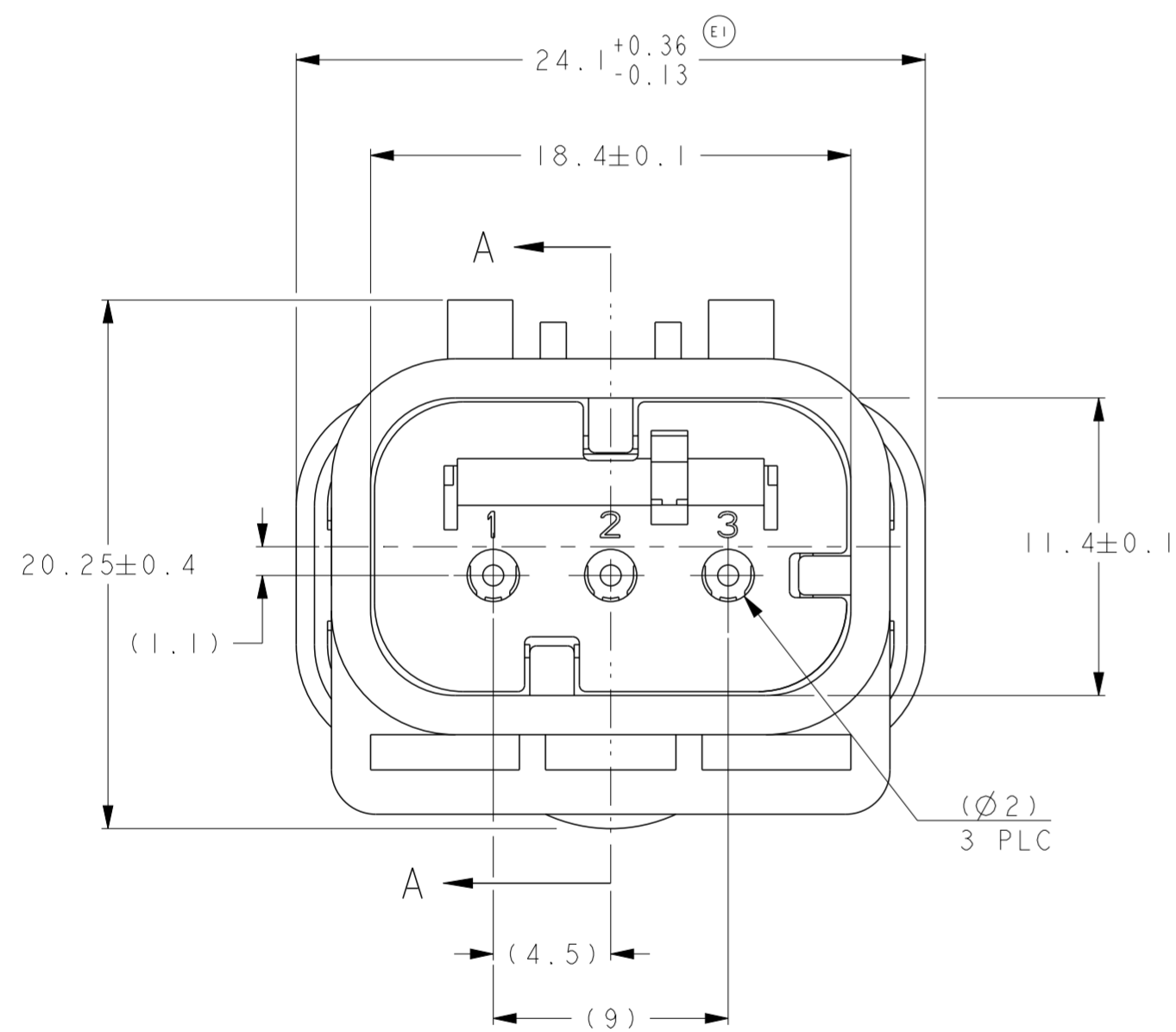


SCALE 2:1

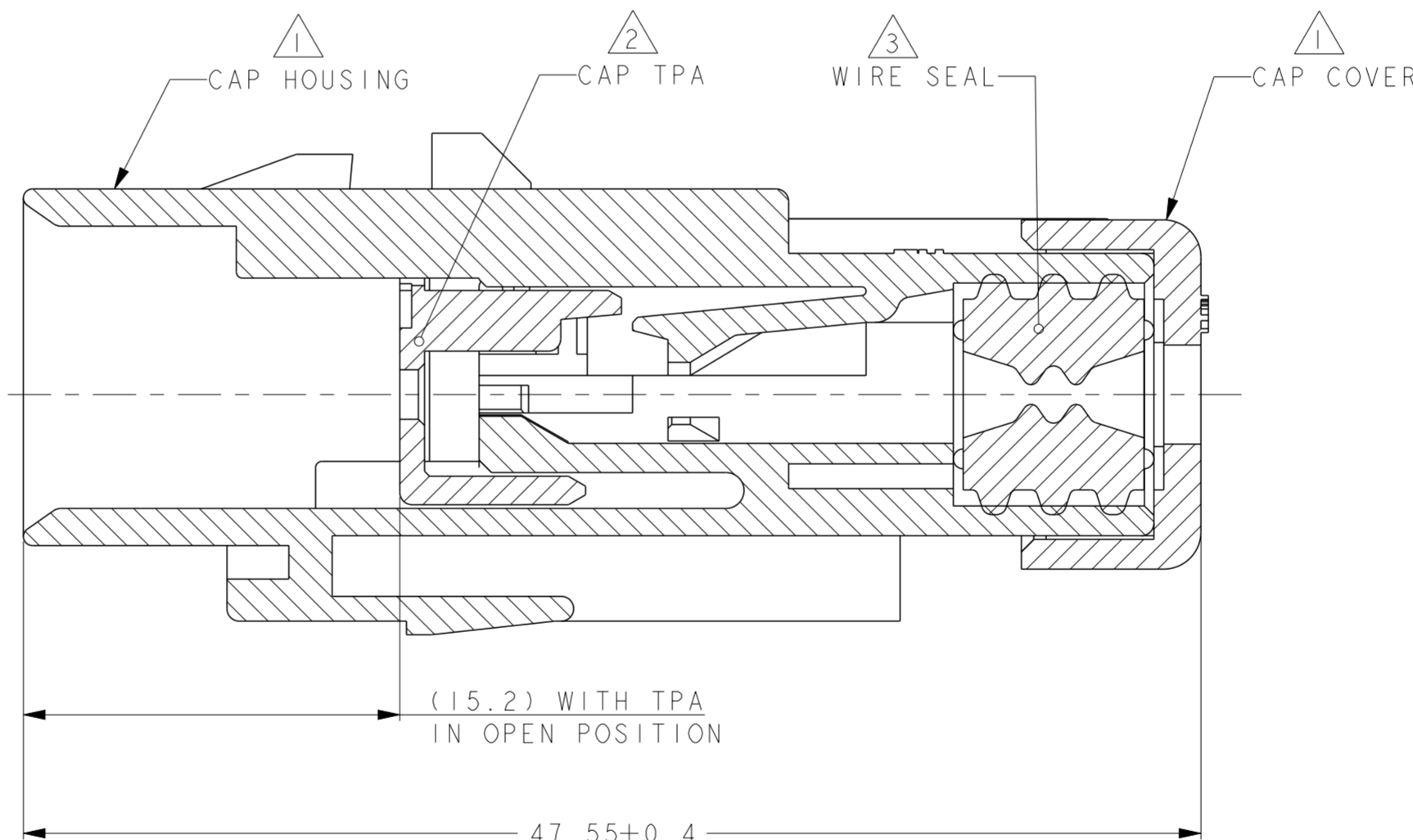
- 1 MATERIAL: 15% GLASS FILLED THERMOPLASTIC
 COLOR: BLACK
- 2 MATERIAL: 15% GLASS FILLED THERMOPLASTIC
 COLOR: (SEE TABLE)
- 3 MATERIAL: SILICONE
 COLOR: RUST

4. WIRE INSULATION RANGE: $\varnothing 1.3 \sim \varnothing 2.3$

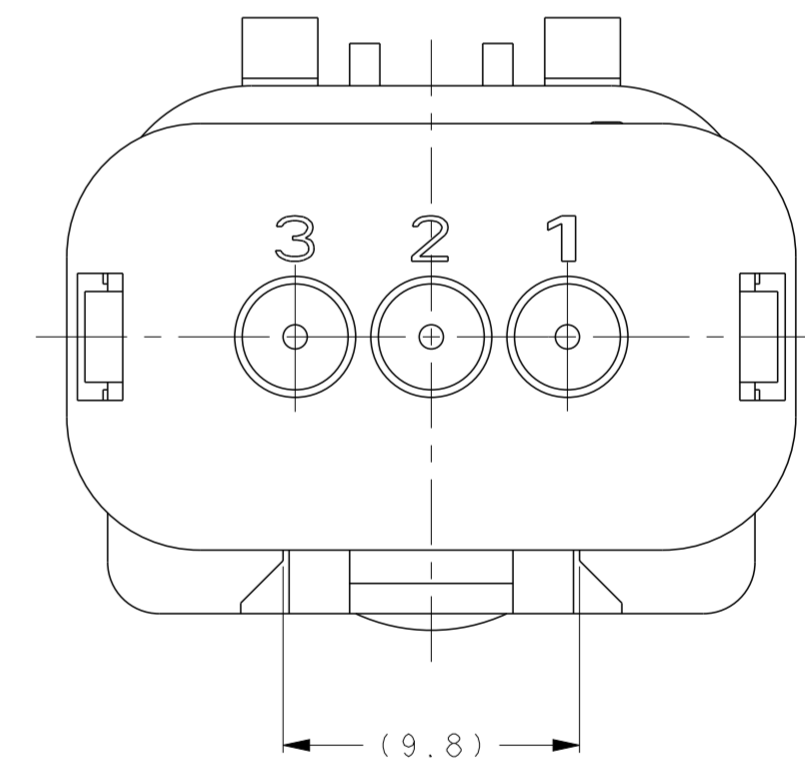
5. OBSOLETE PARTS: OBSOLETE CIS STREAMLINING PER
 D.RENAUD/D.SINISI



1871413-1 SHOWN



A - A
 OPEN POSITION



TPA COLOR	PART NUMBER
GREEN	1871413-4
YELLOW	1871413-3
GRAY	1871413-2
RED	1871413-1

5
OBSOLETE

THIS DRAWING IS A CONTROLLED DOCUMENT.		DWN Y. KATO	21DEC2005	TE Connectivity	
DIMENSIONS: mm		CHK J. AKASAKA	28DEC2005		
TOLERANCES UNLESS OTHERWISE SPECIFIED:		APVD D. MITSUGI	28DEC2005		
0 PLC ± 1 PLC ± 2 PLC ± 3 PLC ± 4 PLC ± ANGLES ± FINISH -		PRODUCT SPEC 108-2184	APPLICATION SPEC 114-13065		
MATERIAL		WEIGHT		NAME CAP ASSY, 3 POS. BRACKET REVERSE TYPE SMALL WIRE SIZE AMP SEAL 16	
		CUSTOMER DRAWING		SIZE A2	RESTRICTED TO
				CAGE CODE 0779	
				DRAWING NO C-1871413	
				SCALE 4:1	
				SHEET 1	
				OF 1	
				REV E1	