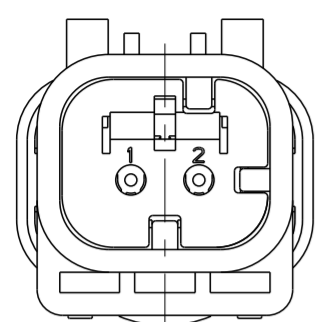
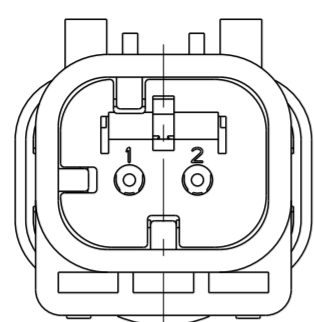


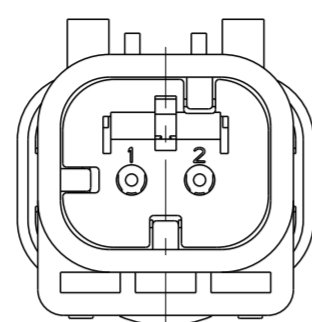
REVISIONS				
P	LTR	DESCRIPTION	DATE	APVD
C1		REVISED PER ECR-10-019377	04OCT2010	HMR TM
D		REVISED PER ECR-14-000206	26DEC2013	PV RB
D1		REVISED PER ECR-24-201925	05MAR2024	HY TK



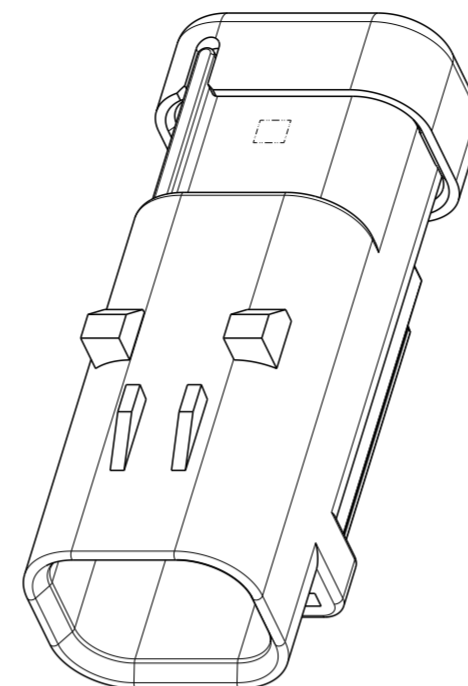
1871412-2
SCALE 2:1



1871412-3
SCALE 2:1

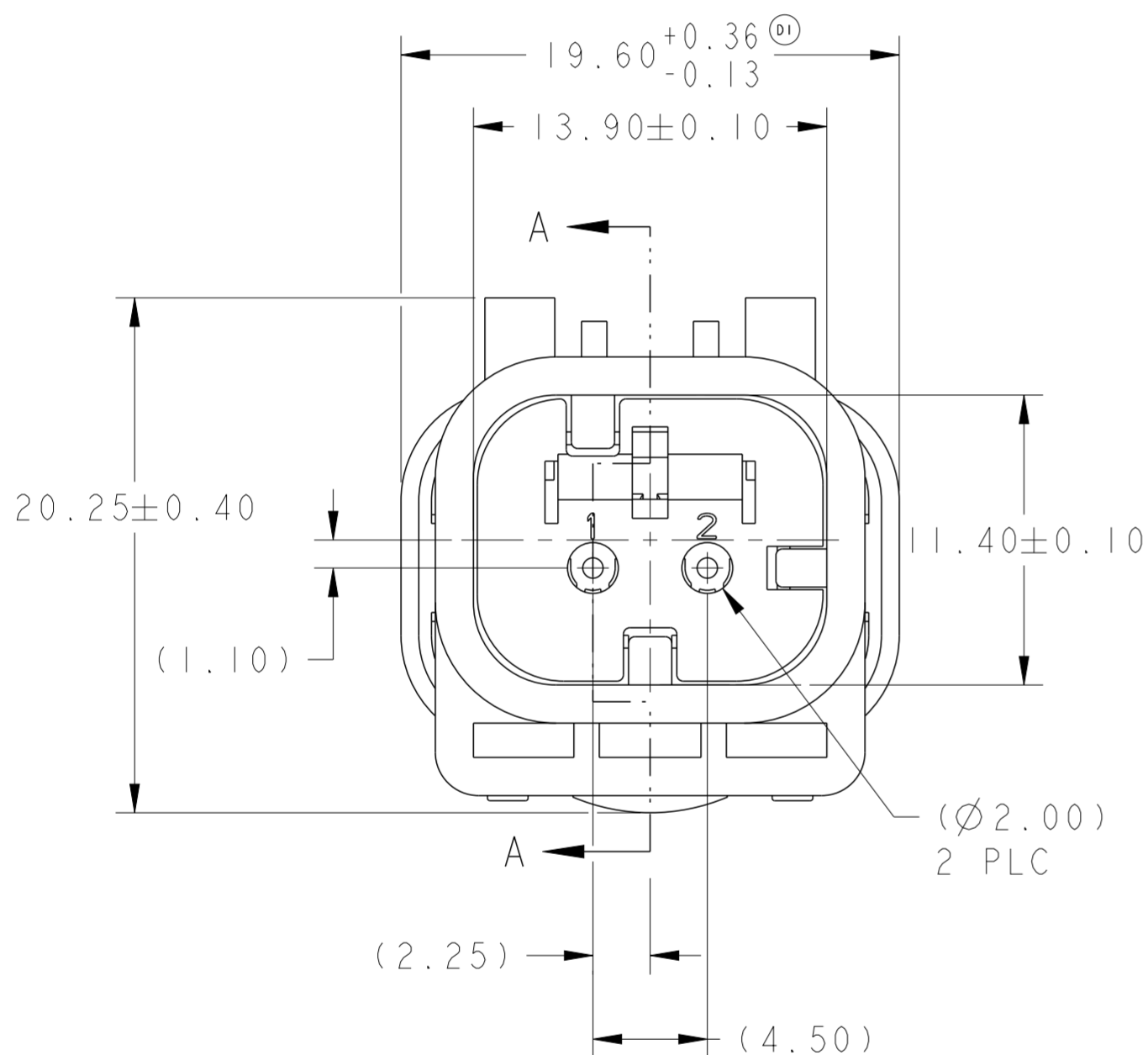


1871412-4
SCALE 2:1

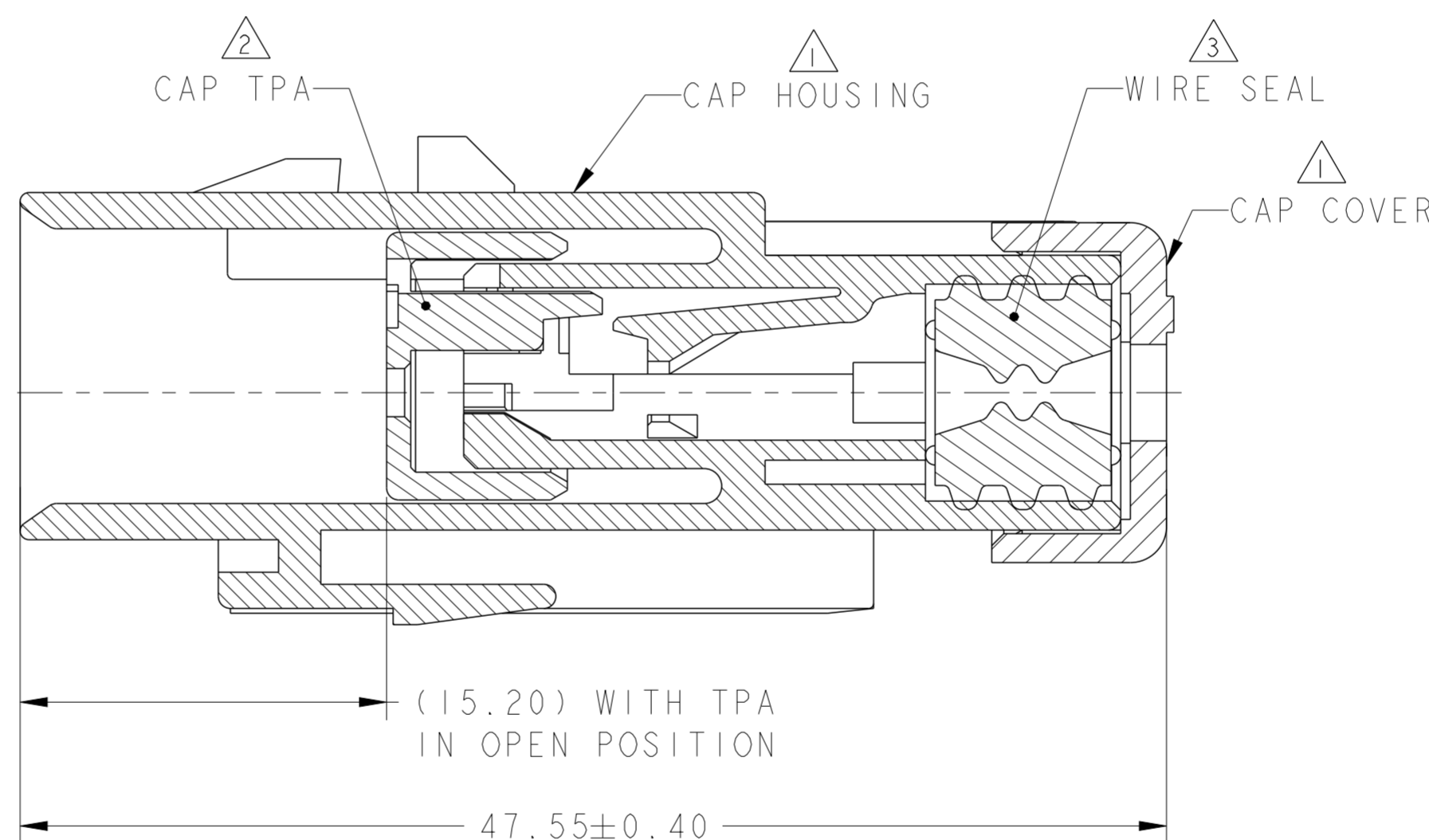


SCALE 2:1

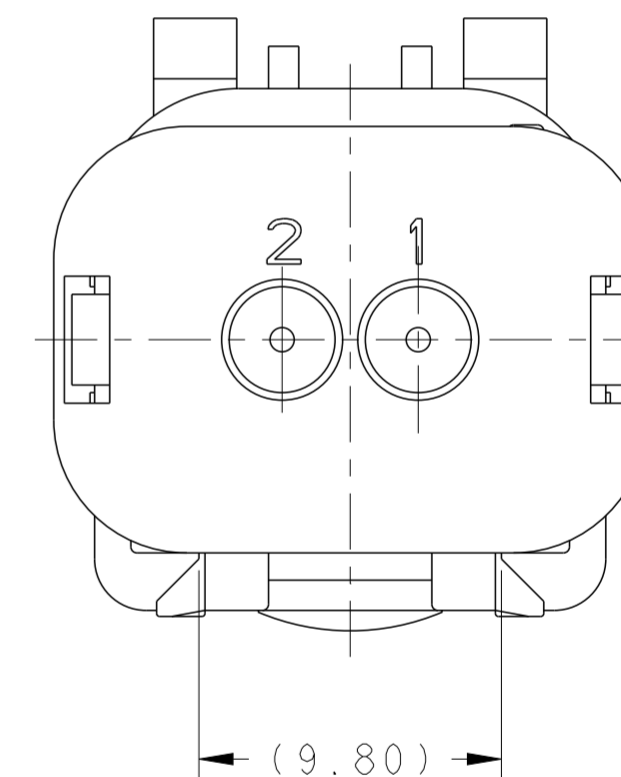
- ① MATERIAL: 15% GLASS FILLED THERMOPLASTIC
COLOR: BLACK
- ② MATERIAL: 15% GLASS FILLED THERMOPLASTIC
COLOR: (SEE TABLE)
- ③ MATERIAL: SILICONE
COLOR: LIGHT GRAY
- 4. WIRE INSULATION RANGE: $\varnothing 1.3 \sim \varnothing 2.3$



1871412-1 SHOWN



A-A



GREEN	1871412-4
YELLOW	1871412-3
GRAY	1871412-2
RED	1871412-1
TPA COLOR	PART NUMBER

THIS DRAWING IS A CONTROLLED DOCUMENT.		DWN S. KUBOTA 02NOV2006	STE TE Connectivity	
DIMENSIONS: mm		CHK J. AKASAKA 06NOV2006		
TOLERANCES UNLESS OTHERWISE SPECIFIED:		APVD J. AKASAKA 06NOV2006	NAME CAP ASSY, 2 POS. BRACKET REVERSE TYPE SMALL WIRE SIZE AMPSEAL 16	
0 PLC ±		PRODUCT SPEC 108-2184	SIZE A2	CAGE CODE -
1 PLC ±		APPLICATION SPEC 114-13065	DRAWING NO. C-1871412	RESTRICTED TO -
2 PLC ±		WEIGHT -	SCALE 4:1	SHEET 1 OF 1
3 PLC ±		CUSTOMER DRAWING	REV D1	
4 PLC ±				
ANGLES ±				
FINISH -				