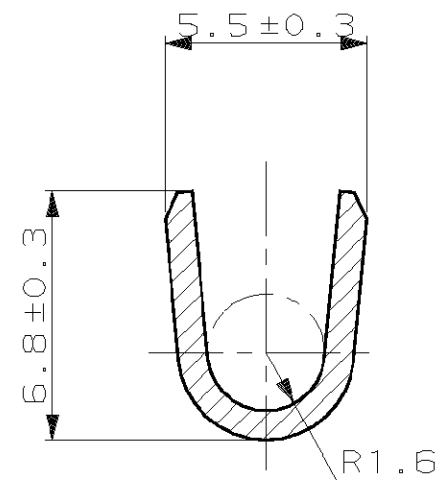
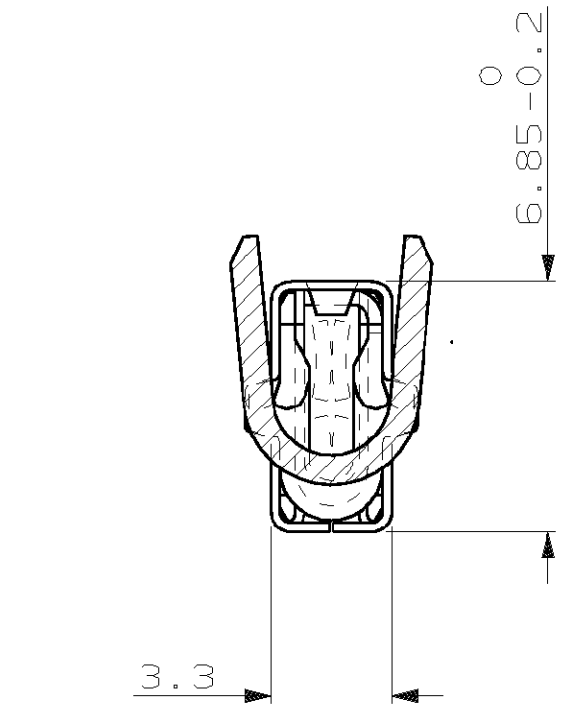
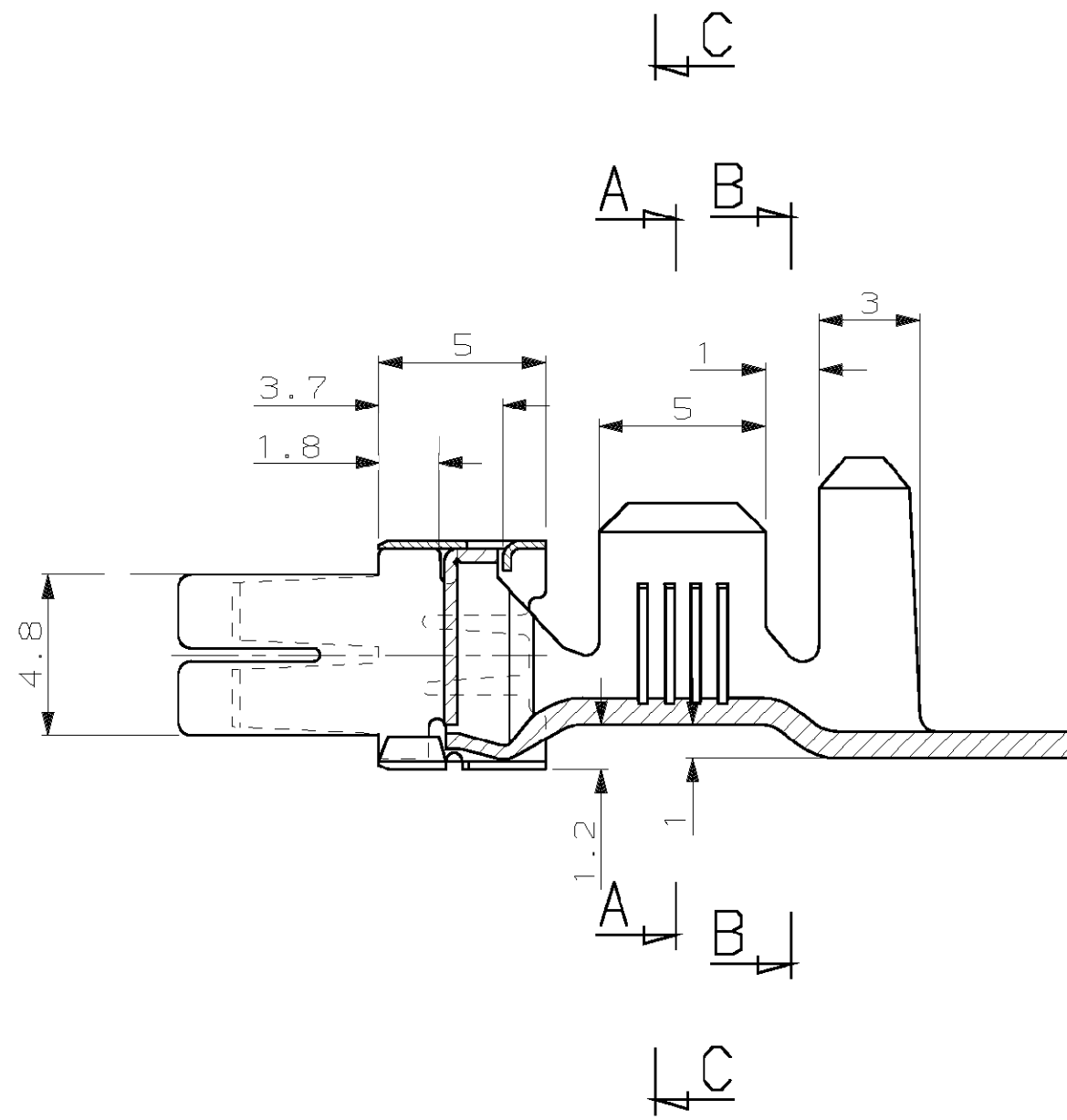


THIS DRAWING IS UNPUBLISHED.
 DIFFUSION RESEINTE AMP
 (C) COPYRIGHT 19 BY AMP INCORPORATED. ALL RIGHTS RESERVED. TOUS DROITS RESERVES.

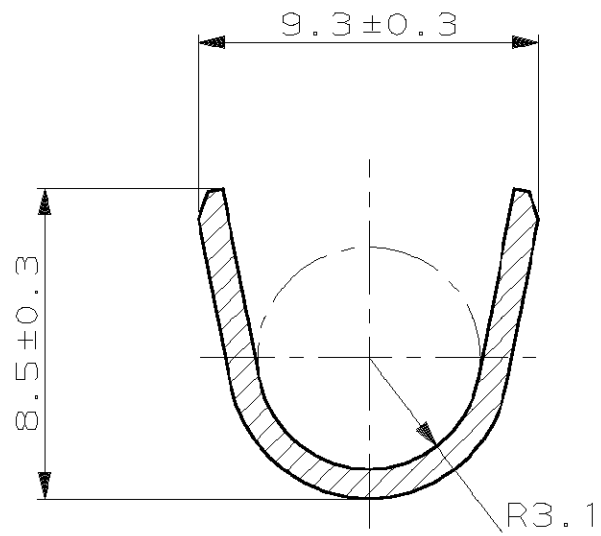
LOC		DIST		REVISIONS			
P	LTR	REV	DESCRIPTION	DATE	DWN	DESS.	APVD
F		7		SEE ECR-17-013246	13SEP2017	SCK	JC



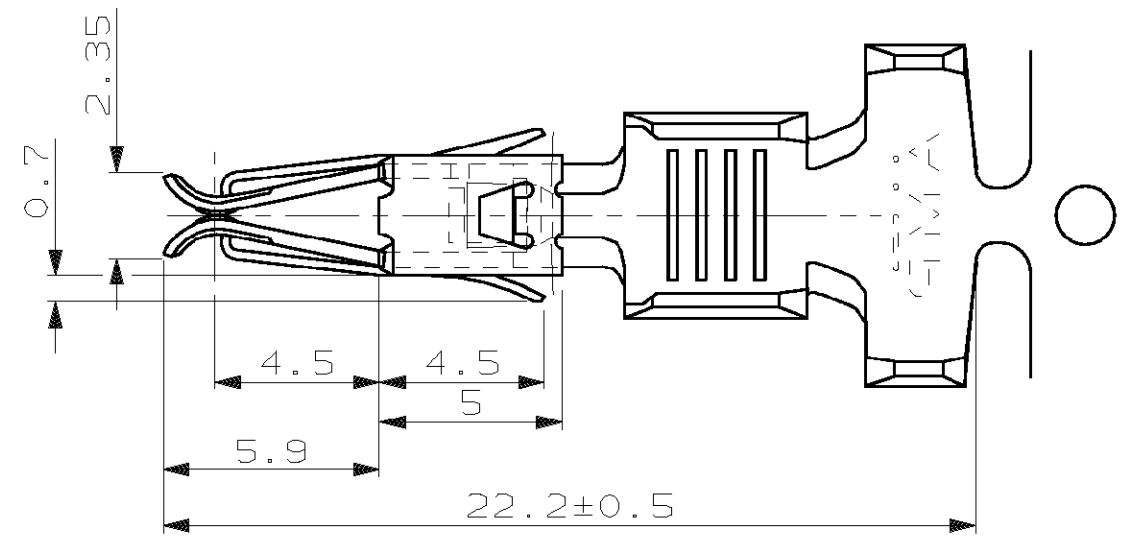
SECTION A-A




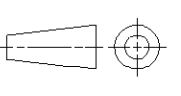
SECTION C-C



SECTION B-B



5-7 mm ² , dia. isol. 5.7 max.	185283-1	PRE-TINNED	KFC ep 0.4/0.8
WIRE DIM.	REF. TE	FINISH	MATERIAL

THIS DRAWING IS A CONTROLLED DOCUMENT. CE PLAN EST UN DOCUMENT CONTROLE.		DWN/DESSINE GERARD ROBERT 03-SEP-98	 TE Connectivity	
DIMENSIONS: mm	TOLERANCES UNLESS OTHERWISE SPECIFIED: TOLERANCES NON SPECIFIEES (SUIV NB DE DECIMALES):	CHK/VERIFIE J.J. L'ALANGE 05-MAY-00	NAME TITRE	
	0-PLC/DCE ± 1-PLC/DCE ± 2-PLC/DCE ± 3-PLC/DCE ± 4-PLC/DCE ± ±0.3	APVD/APPROUVE J.J. REVIL 05-MAY-00	PRODUCT SPEC 108-15122	
MATERIAL MATIERE	FINISH FINITION	APPLICATION SPEC 114-15058	WEIGHT MASSE APPROX. 1.7gr	RESTRICTED TO -
CUSTOMER DRAWING/PLAN CLIENT		UNIQUEMENT POUR REFERENCE	SCALE EHELLE 5:1	SHEET FEUILLE 1 OF 1
			SIZE FORMAT A2	CAGE CODE 00779
			DRAWING NO TITRE C-185283	REV A