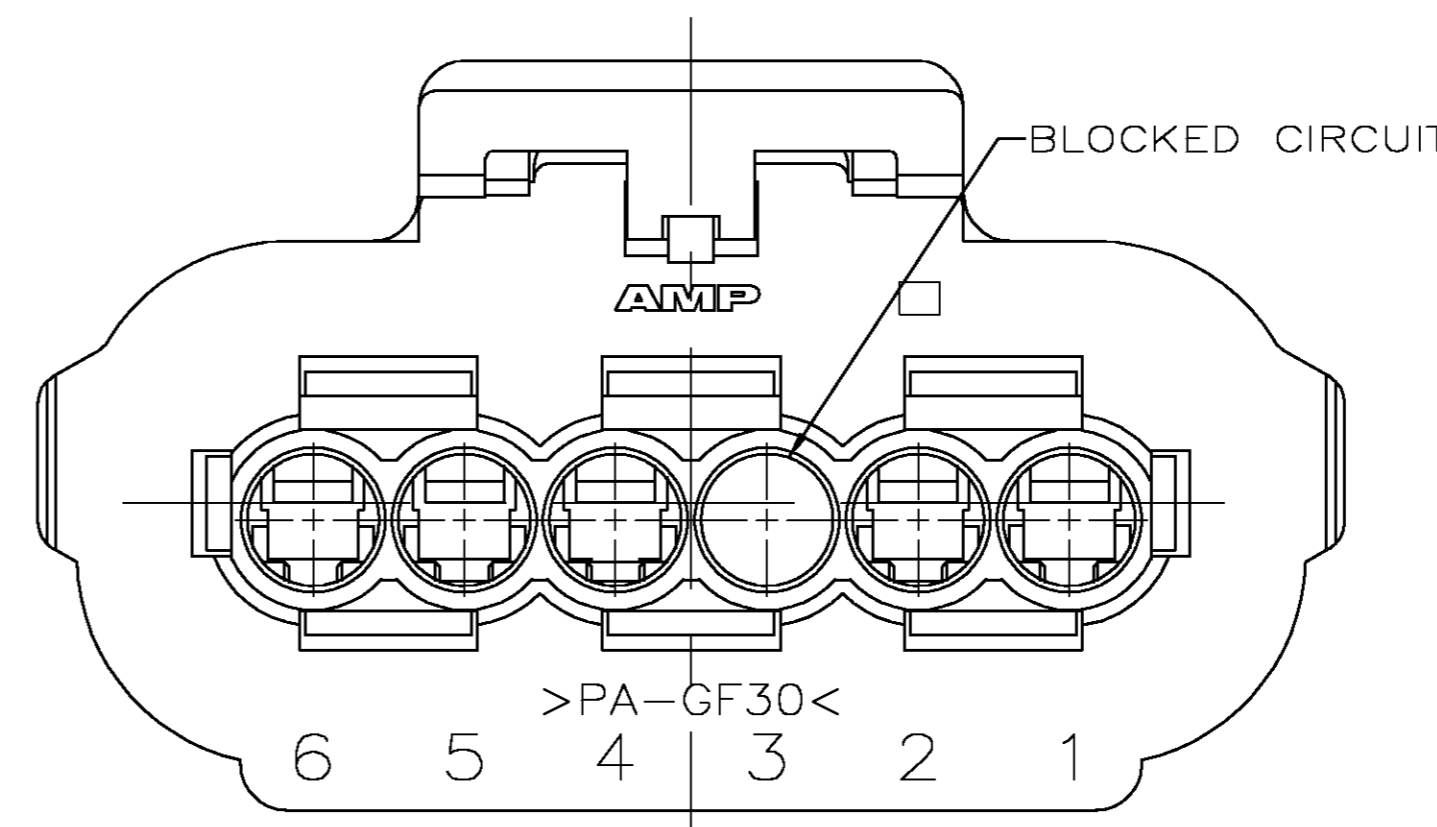
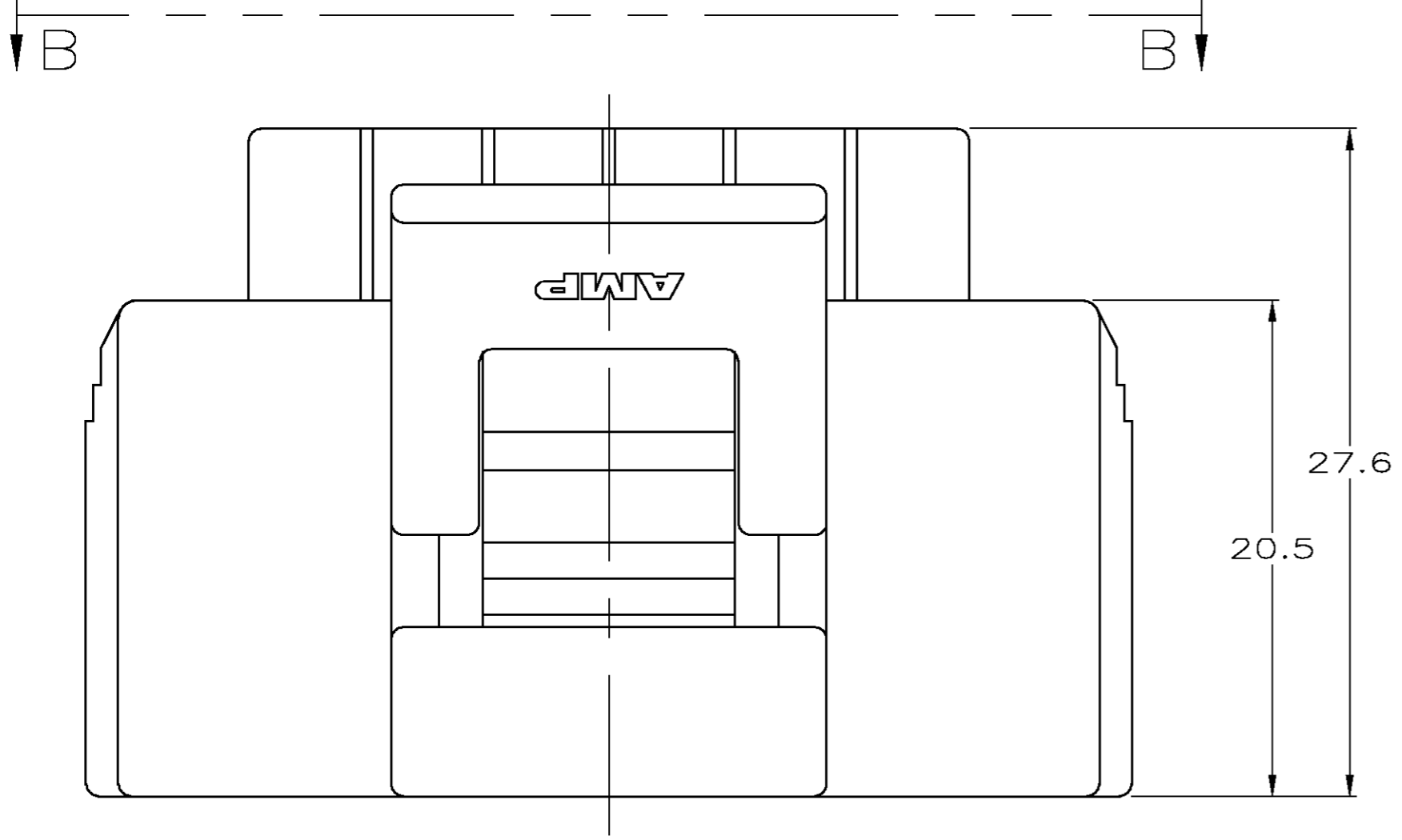


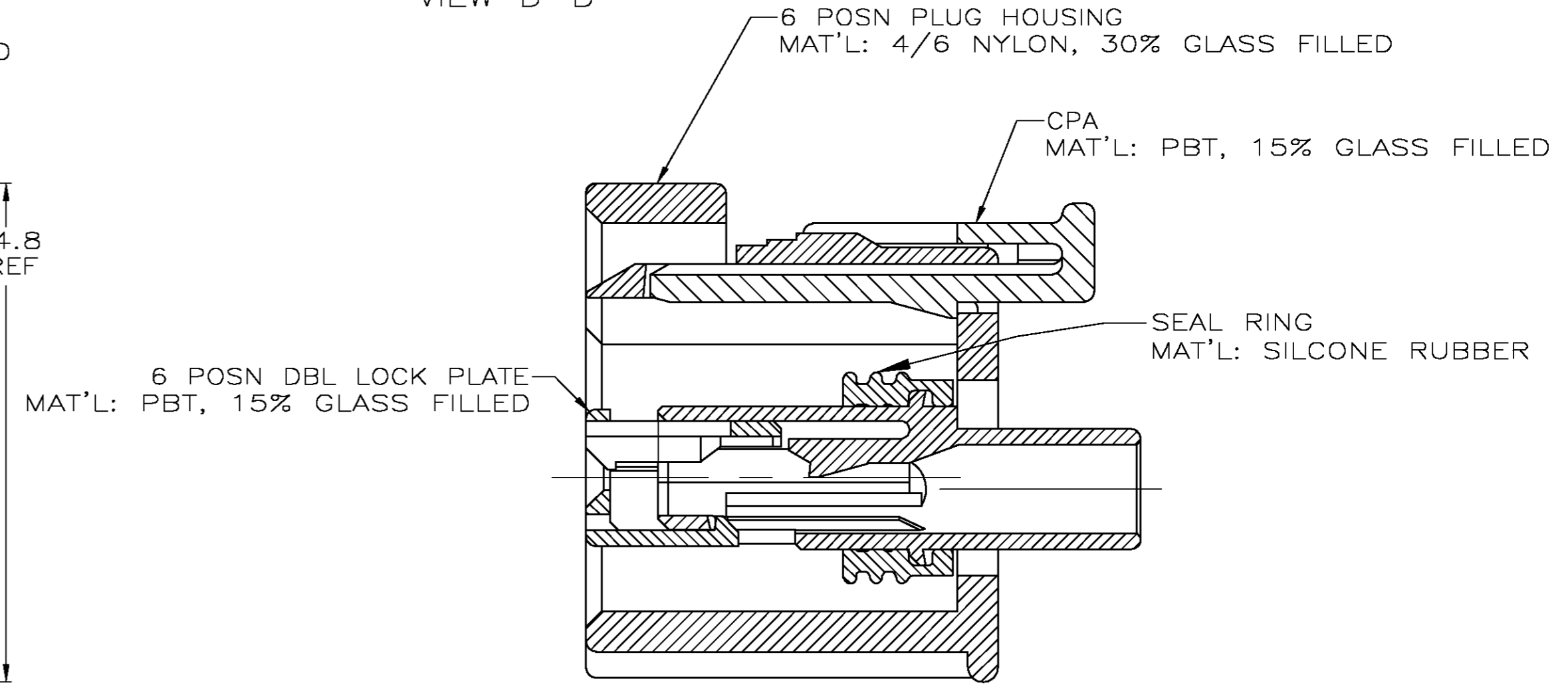
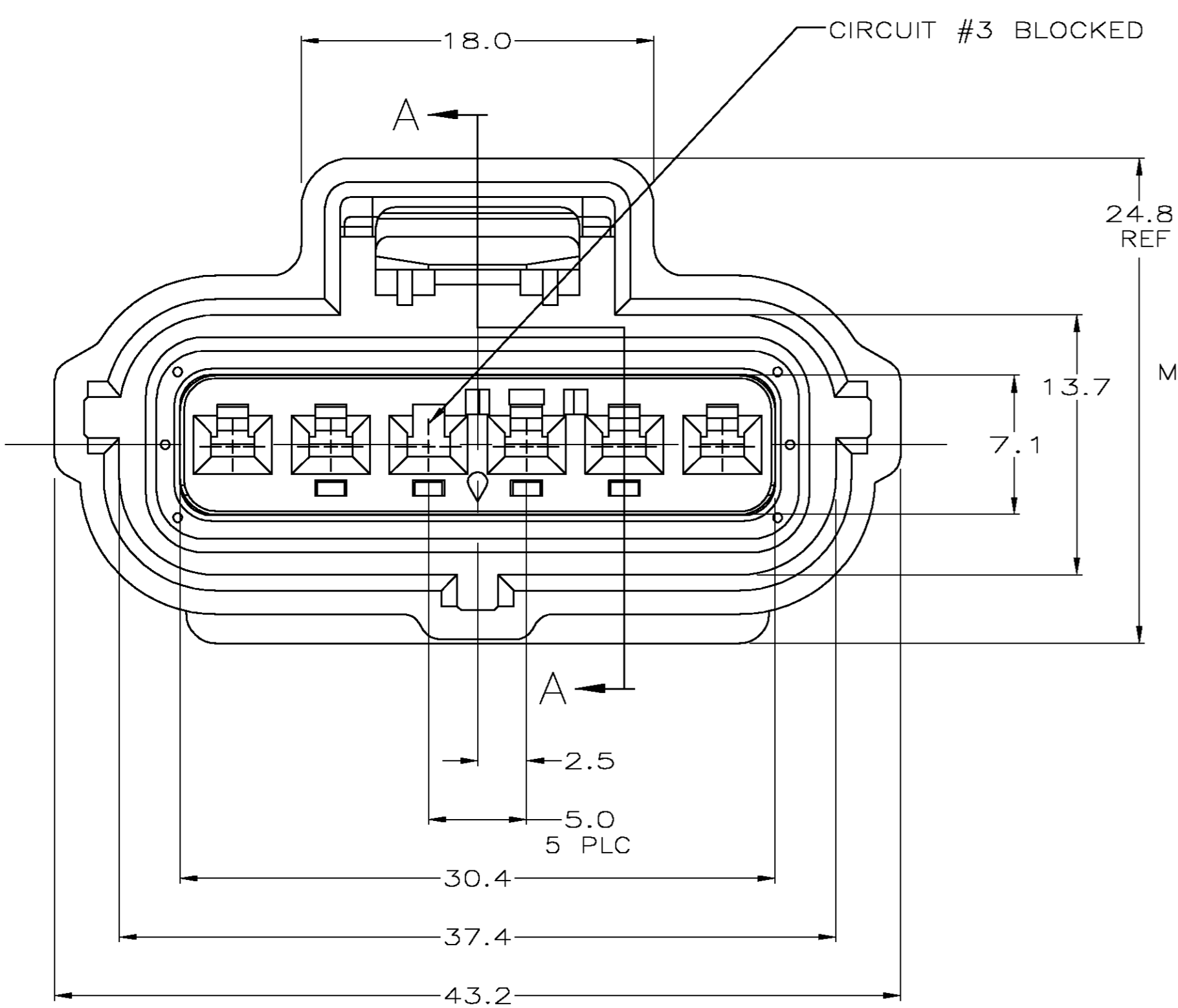
THIS DRAWING IS UNPUBLISHED. RELEASED FOR PUBLICATION
 © COPYRIGHT BY TYCO ELECTRONICS CORPORATION. ALL RIGHTS RESERVED.

LOC	DIST	REVISIONS			
P	LTR	DESCRIPTION	DATE	DWN	APVD
GE	00	E	EC 0K40-0177-04	12AUG04	JRB KLC



NOTES:
 1. CIRCUIT NO. 3 BLOCKED

VIEW B-B



SECTION A-A

184341-1
 PART NO.

THIS DRAWING IS A CONTROLLED DOCUMENT.		DWN	KD LYTLE	22SEP99	 Tyco Electronics Corporation Harrisburg, Pa 17105-3608	
DIMENSIONS: mm		CHK	M HUDDLESTON	22SEP99		
TOLERANCES UNLESS OTHERWISE SPECIFIED:		APVD	M HUDDLESTON	22SEP99		
0 PLC ± - 1 PLC ± - 2 PLC ± 0.30 3 PLC ± - 4 PLC ± - ANGLES ± ° FINISH -		NAME	1 X 6B PLG ASY KEY A-C3 W/CPA			
MATERIAL		APPLICATION SPEC	-		SIZE	A2
		WEIGHT	-		CAGE CODE	00779
		CUSTOMER DRAWING	-		DRAWING NO	C=184341
		SCALE	4:1		SHEET	1 OF 1
		REV	E		RESTRICTED TO	-