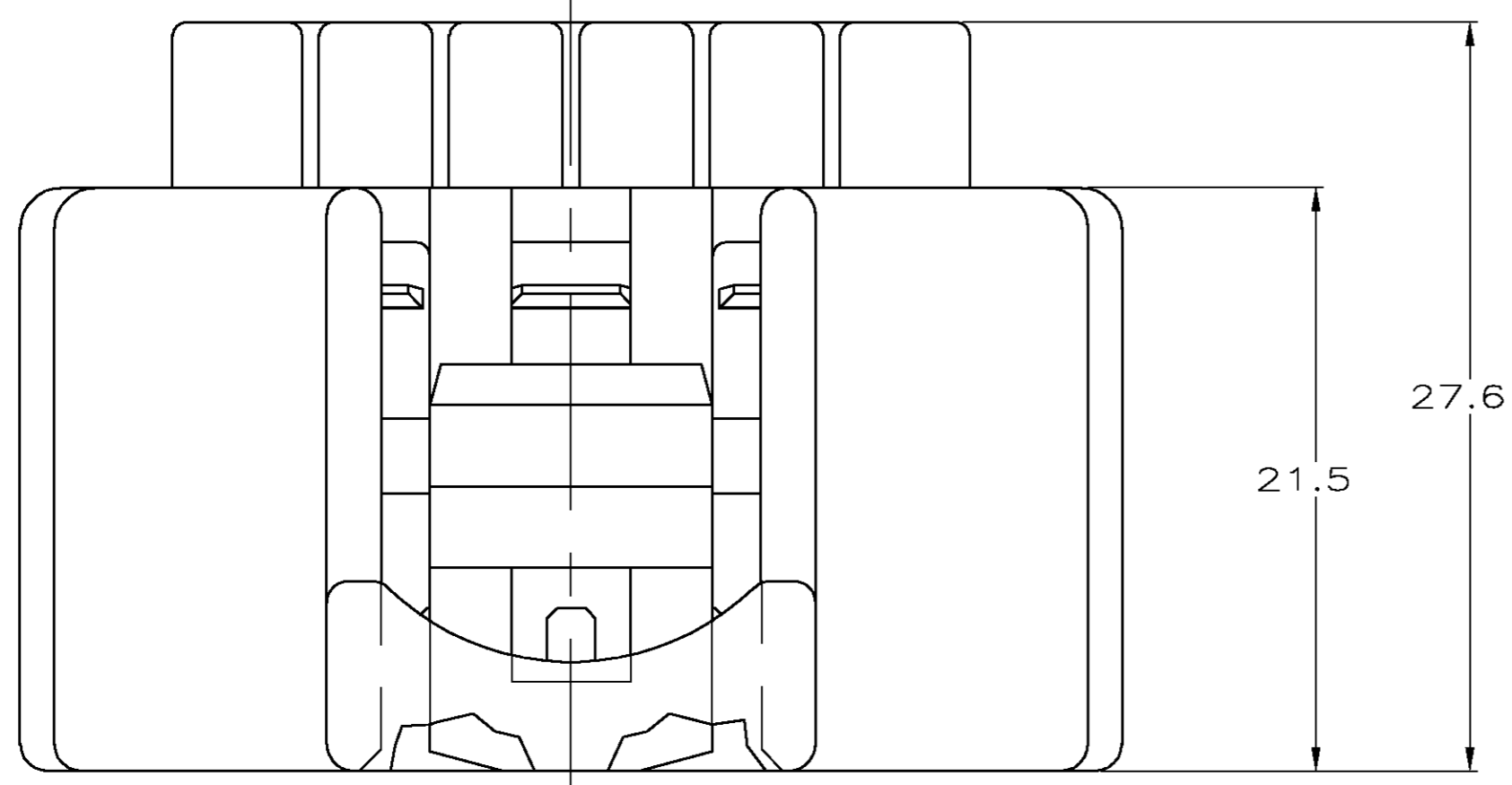
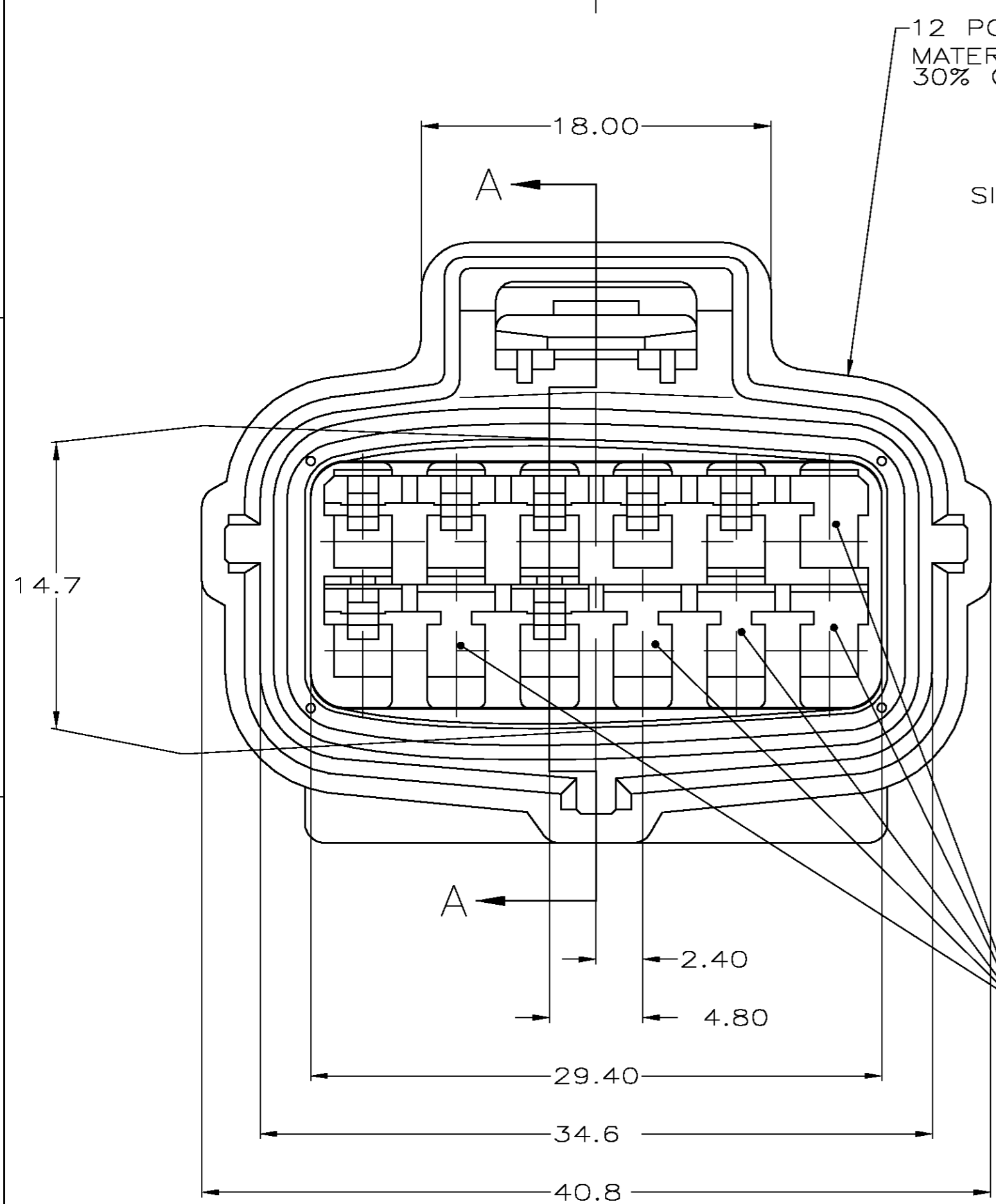


THIS DRAWING IS UNPUBLISHED. RELEASED FOR PUBLICATION
 © COPYRIGHT BY TYCO ELECTRONICS CORPORATION. ALL RIGHTS RESERVED.

LOC	DIST	REVISIONS			
P	LTR	DESCRIPTION	DATE	DWN	APVD
GE	00	E	REV PER EC 0K40-0448-03	25JUN03	AH KLC



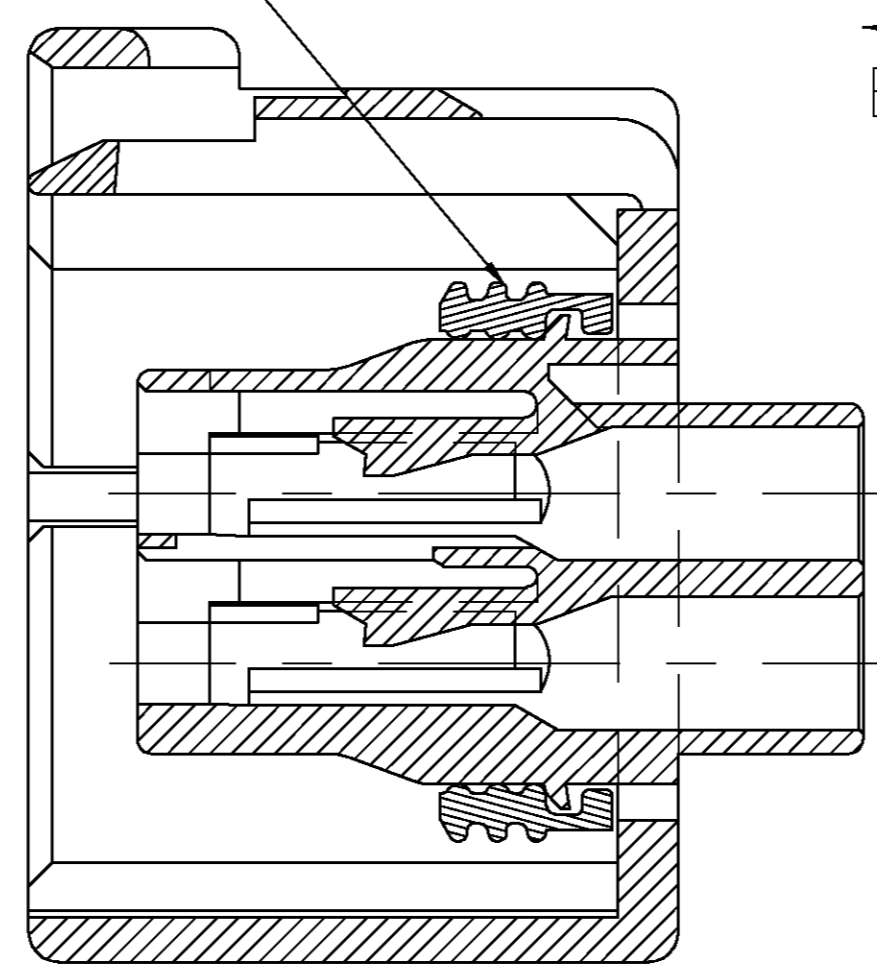
SECONDARY LOCK PLATE, P/N 184058-1, REQUIRED AS A SEPARATE COMPONENT.



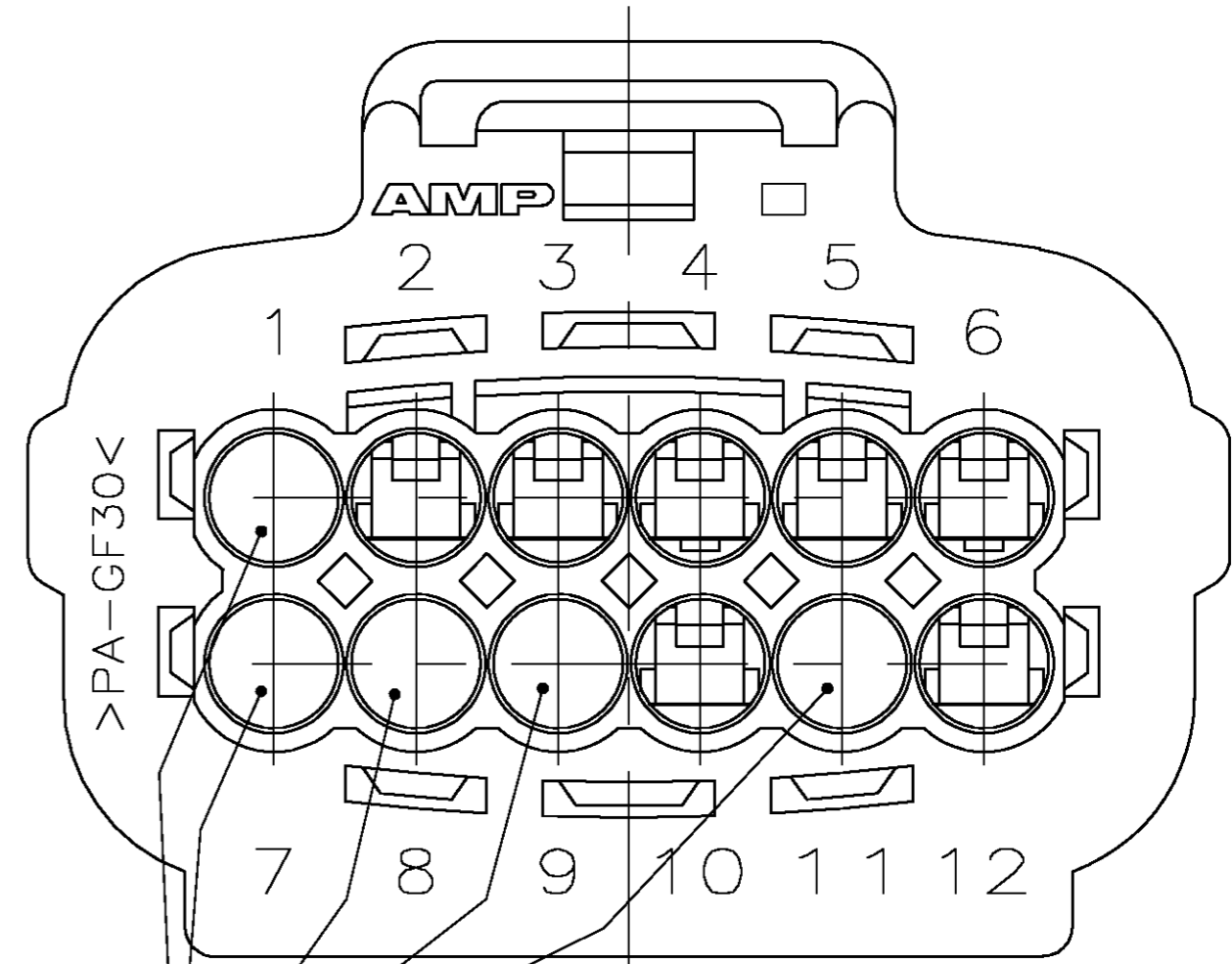
12 POSITION PLUG
 MATERIAL: 4/6 NYLON
 30% GLASS FILLED

SEAL RING
 MATERIAL:
 SILICONE RUBBER

THESE CIRCUITS BLOCKED
 (#1, #7, #8, #9, #11)



SECTION A-A



VIEW B-B

THESE CIRCUITS
 BLOCKED

THIS DRAWING IS A CONTROLLED DOCUMENT.		DWN	KD LYTLE	02/05/97	BLACK		184291-1	
DIMENSIONS:		CHK	EJ OSWANDEL	02/17/97	PLUG COLOR		PART NUMBER	
MM	TOLERANCES UNLESS OTHERWISE SPECIFIED:	APVD	-	-	Tyco Electronics Corporation Harrisburg, PA 17105-3608			
0 PLC	± -	PRODUCT SPEC	-	NAME				
1 PLC	± 0.3	APPLICATION SPEC	-	12 POSITION PLUG ASSY.				
2 PLC	± 0.15	WEIGHT	-	SIZE	CAGE CODE	DRAWING NO	RESTRICTED TO	
3 PLC	± -	CUSTOMER DRAWING	-	A2	00779	C=184291	-	
4 PLC	± -	SCALE	4:1	SHEET		1 OF 1	REV	
ANGLES	± 4°							E
FINISH	-							