

4

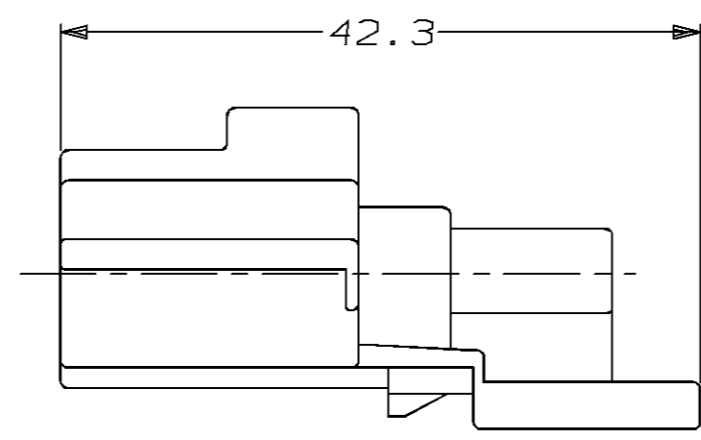
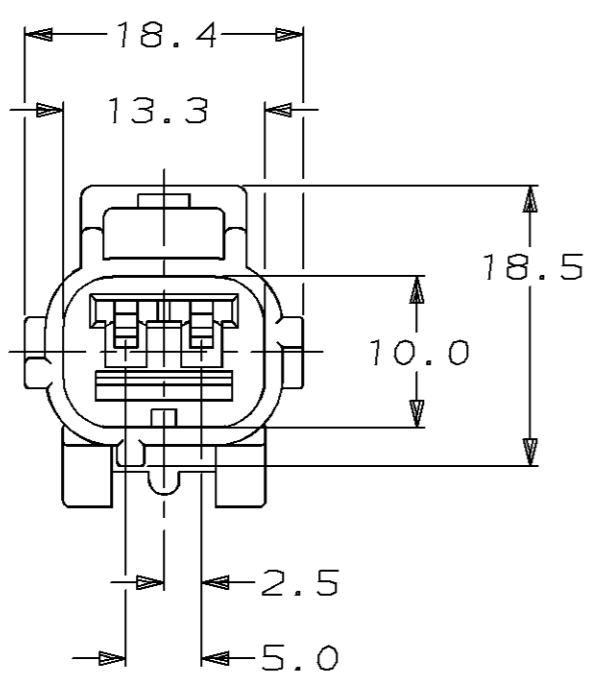
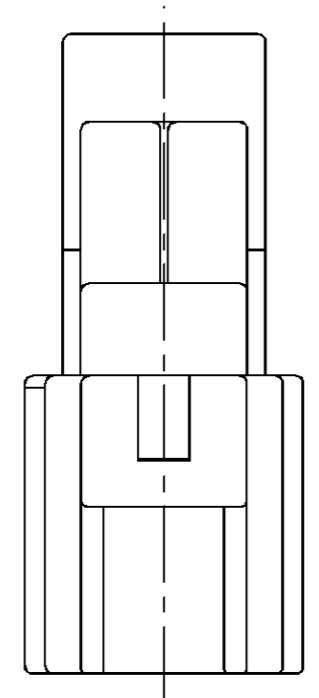
3

2

1

THIS DRAWING IS UNPUBLISHED. RELEASED FOR PUBLICATION, 19 .
 © COPYRIGHT 19 BY AMP INCORPORATED. ALL RIGHTS RESERVED.

LOC	DIST	REVISIONS					
		P	LTR	DESCRIPTION	DATE	DWN	APVD
G	16		0	INITIAL RELEASE	02/14/96	KW	JK
			A	REV PER ECN #OKSO-0014-96	09/20/96	KW	JK



184167-1
 PART NUMBER

<small>THIS DRAWING IS A CONTROLLED DOCUMENT FOR AMP INCORPORATED. IT IS SUBJECT TO CHANGE AND THE CONTROLLING ENGINEERING ORGANIZATION SHOULD BE CONTACTED FOR THE LATEST REVISION.</small>		DWN	K. WISE	02/14/96	AMP Incorporated Harrisburg, PA 17105-3608
DIMENSIONS:		CHK	J. KUNKLE	03/08/96	
mm		APVD	J. KUNKLE	03/08/96	
		PRODUCT SPEC	NAME		
TOLERANCES UNLESS OTHERWISE SPECIFIED: 0 PLC ±- 1 PLC ±0.3 2 PLC ±- 3 PLC ±- 4 PLC ±- ANGLES ±- FINISH BLACK		APPLICATION SPEC		CAP HSG, SSC, 2 POSN E KEY	
MATERIAL		WEIGHT		SIZE	
PBT, 15% GLASS FILLED		-		A3	
		CUSTOMER DRAWING		CAGE CODE	
				00779	
				DRAWING NO	
				C-184167	
				SCALE	
				2:1	
				SHEET	
				1 OF 1	
				REV	
				A	