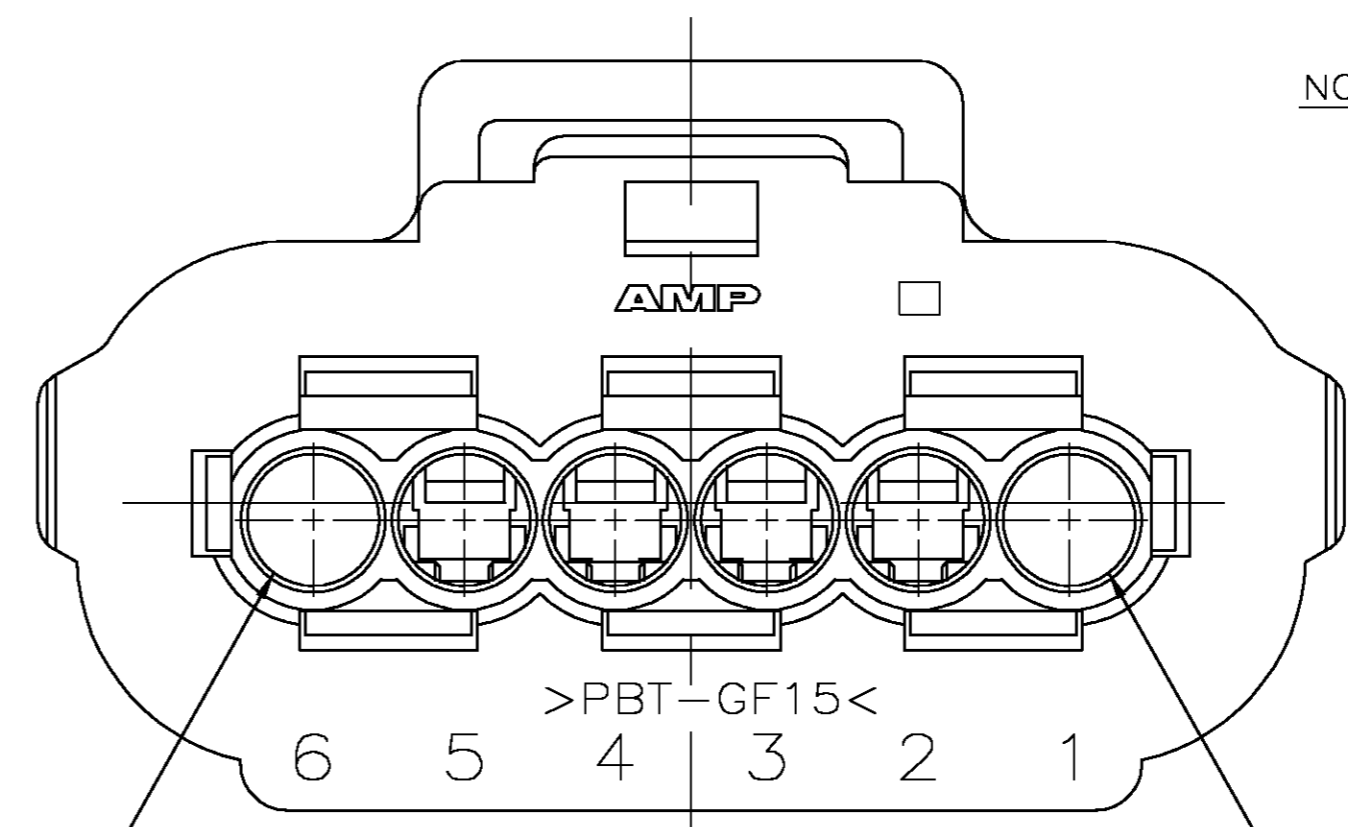
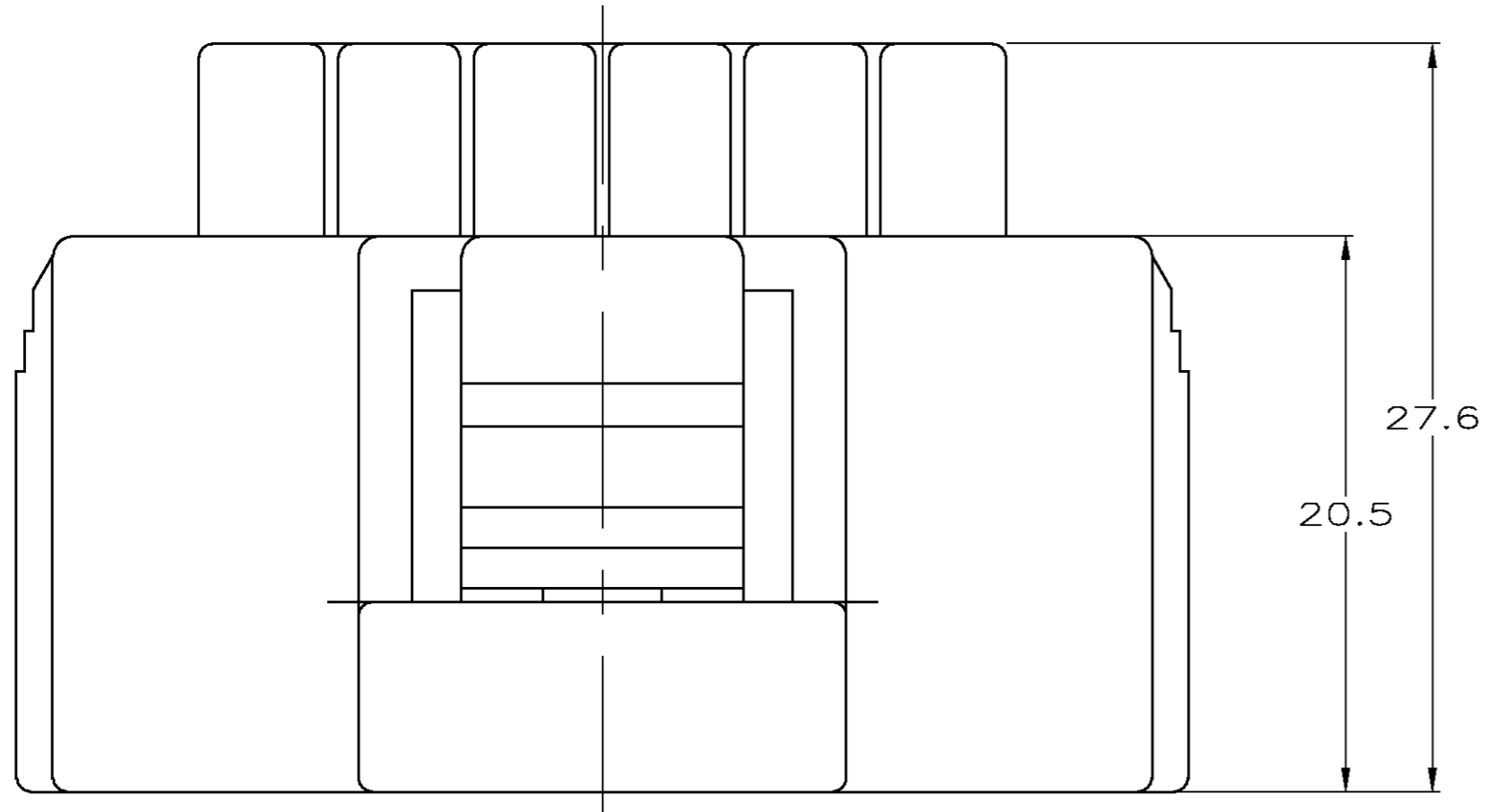


THIS DRAWING IS UNPUBLISHED. RELEASED FOR PUBLICATION  
 © COPYRIGHT BY TYCO ELECTRONICS CORPORATION. ALL RIGHTS RESERVED.

LOC	DIST	REVISIONS			
P	LTR	DESCRIPTION	DATE	DWN	APVD
G	16	B	EC 0K40-0177-04	12AUG04	JRB KLC

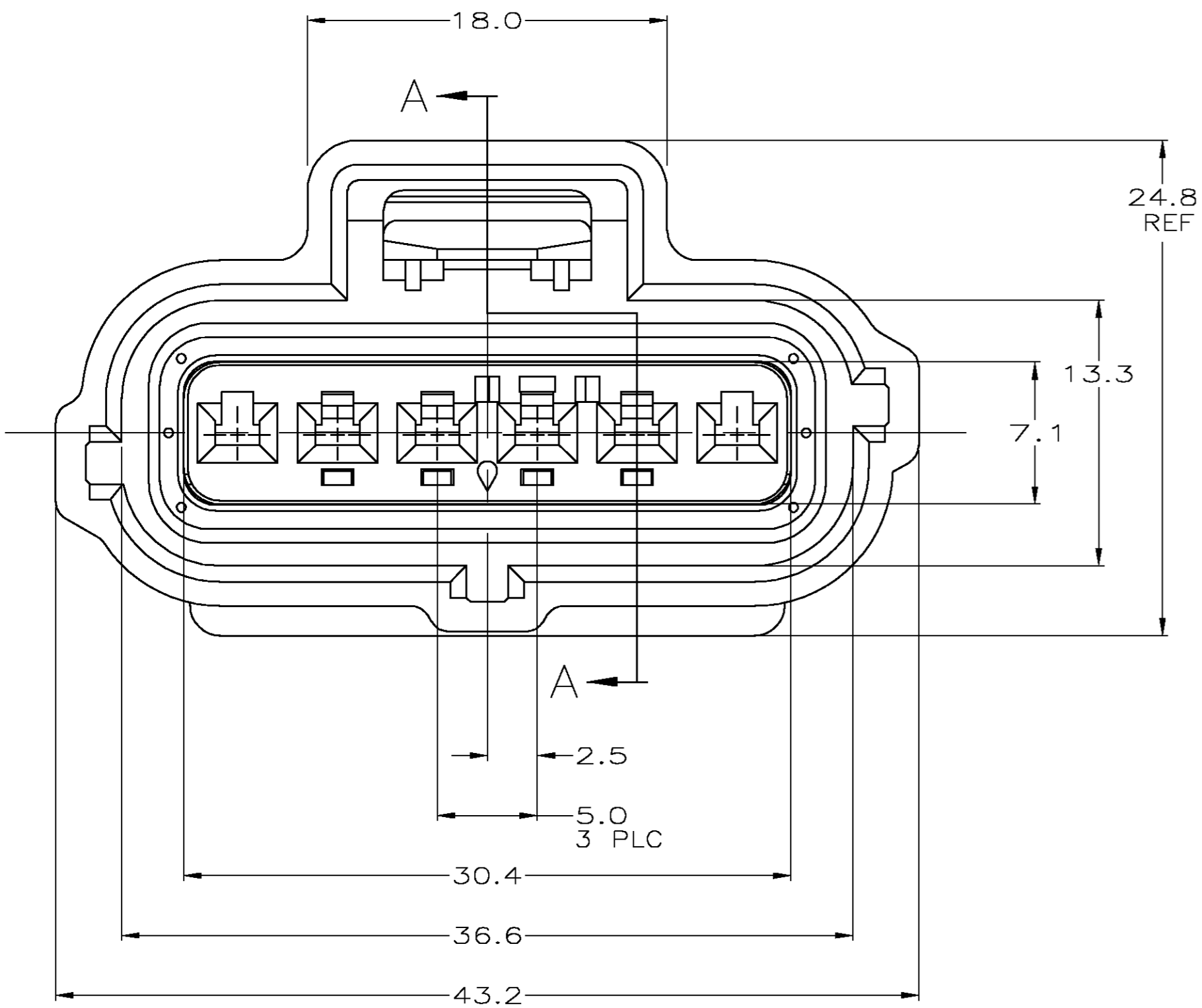


NOTES:  
 1. END CIRCUITS 1 AND 6 ARE BLOCKED.

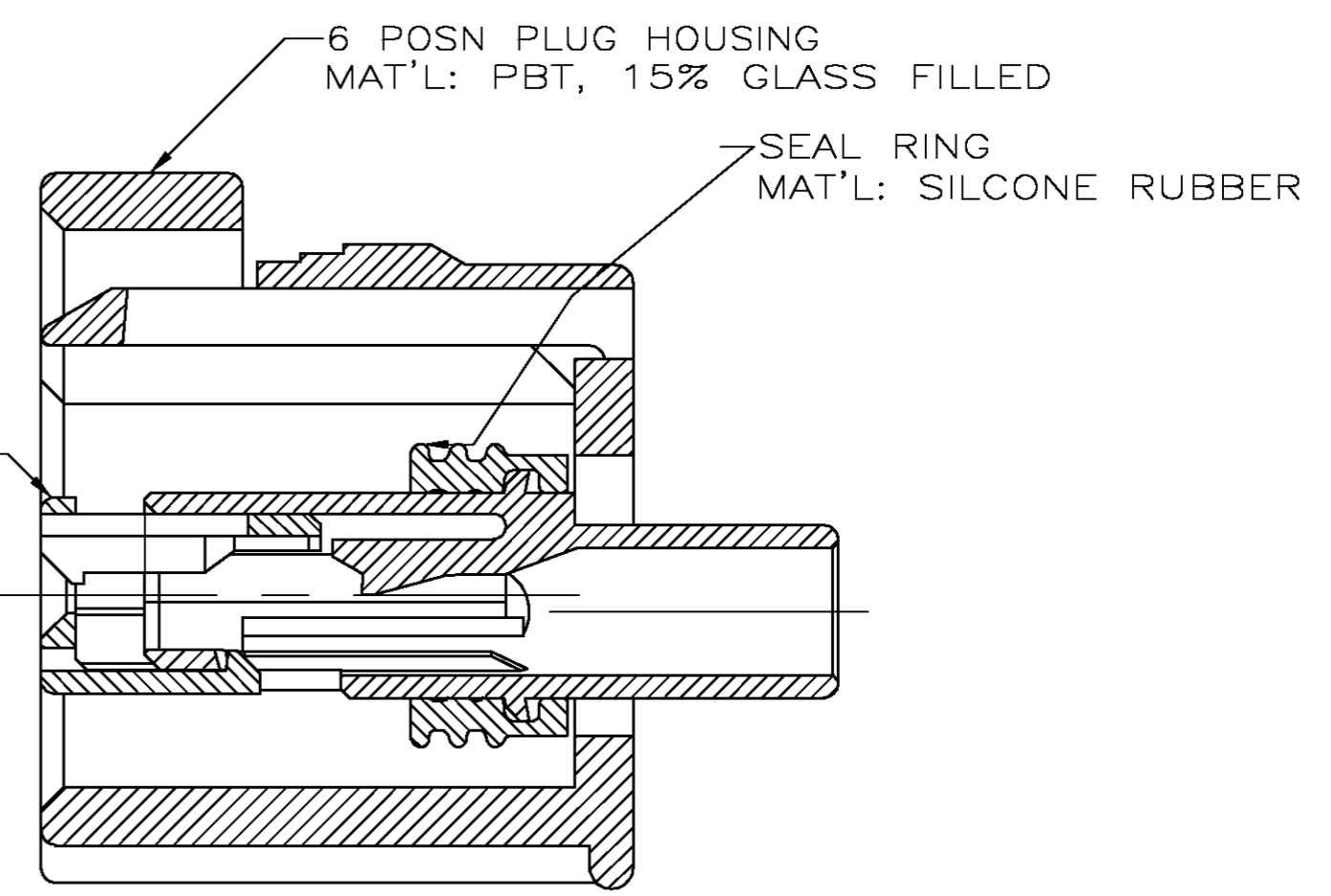
BLOCKED CIRCUIT

VIEW B-B

BLOCKED CIRCUIT



6 POSN DBL LOCK PLATE  
 MAT'L: PBT, 15% GLASS FILLED



SECTION A-A

184136-1  
 PART NUMBER

THIS DRAWING IS A CONTROLLED DOCUMENT.		DWN K.WISE 04/10/96	 Tyco Electronics Corporation Harrisburg, Pa 17105-3608
DIMENSIONS: mm		CHK C.HYRB 04/25/96	
TOLERANCES UNLESS OTHERWISE SPECIFIED:		APVD C.HYRB 04/25/96	NAME 1 X 6B PLG ASY KEY D-C3
0 PLC ± -		PRODUCT SPEC	SIZE A2
1 PLC ± -		APPLICATION SPEC	CAGE CODE 00779
2 PLC ± 0.3			DRAWING NO C=184136
3 PLC ± -			RESTRICTED TO
4 PLC ± -			
ANGLES ± -		WEIGHT	
FINISH		CUSTOMER DRAWING	SCALE 4:1
			SHEET 1 OF 1
			REV B