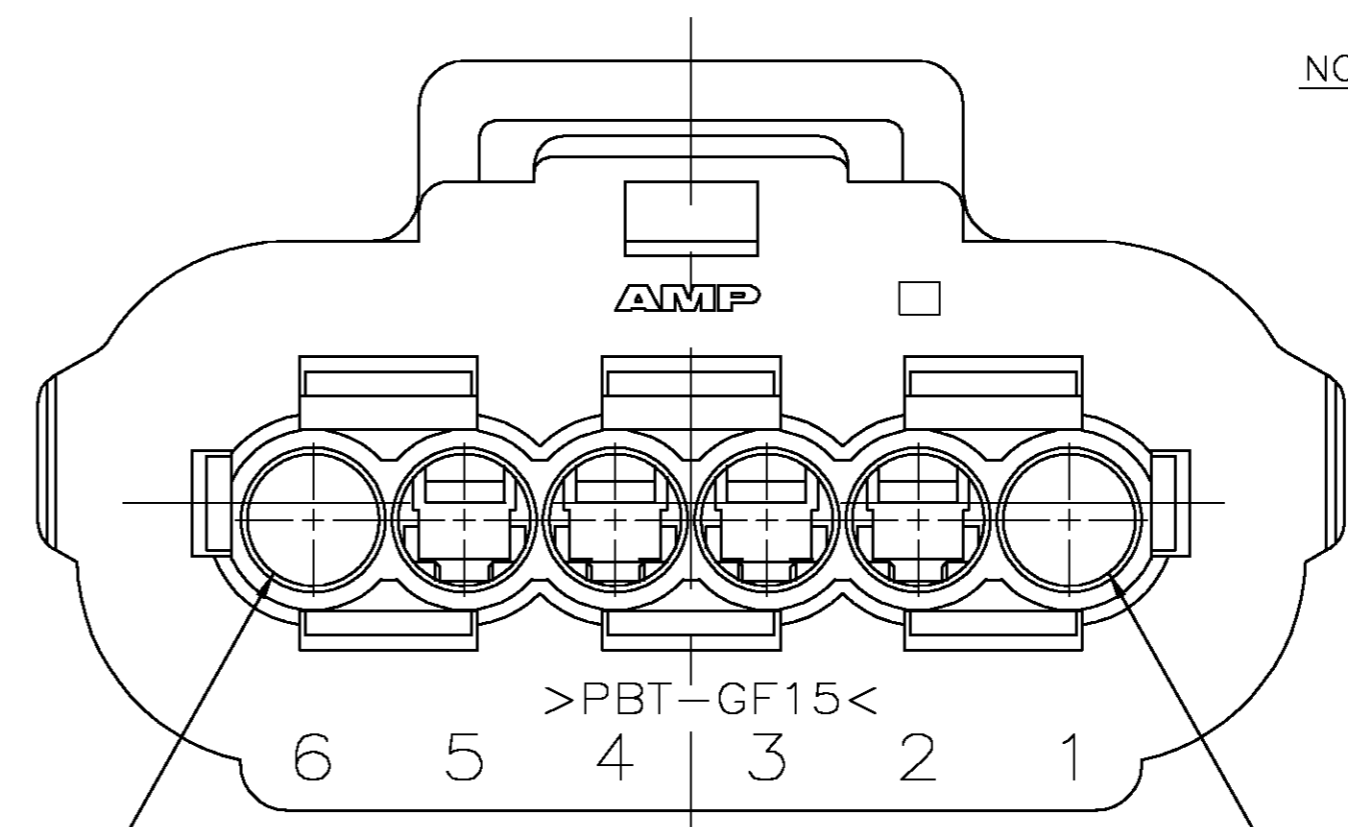
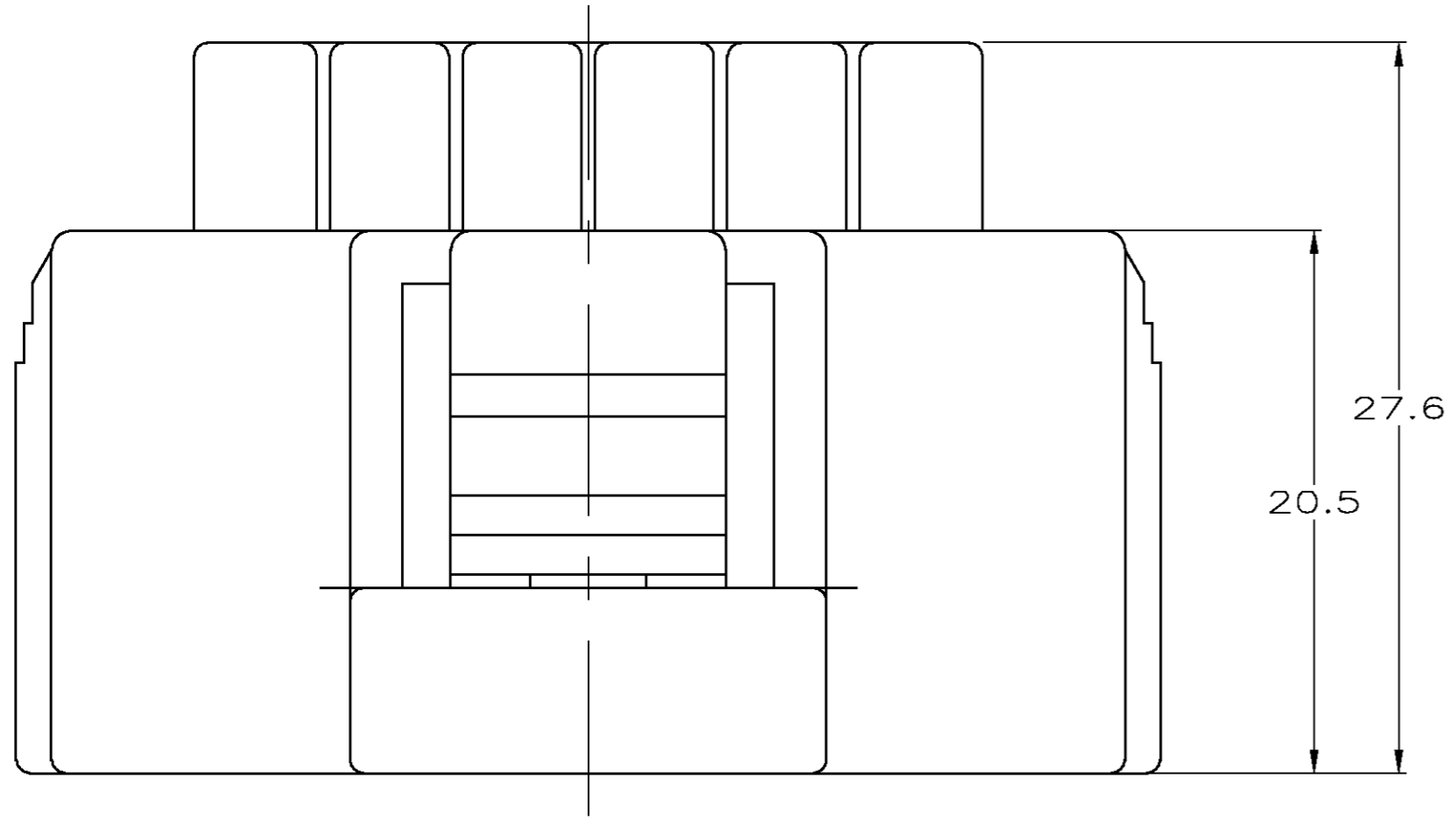


THIS DRAWING IS UNPUBLISHED. RELEASED FOR PUBLICATION
 © COPYRIGHT BY TYCO ELECTRONICS CORPORATION. ALL RIGHTS RESERVED.

LOC	DIST	REVISIONS					
G	16	P	LTR	DESCRIPTION	DATE	DWN	APVD
		B		EC 0K40-0177-04	12AUG04	JRB	KLC

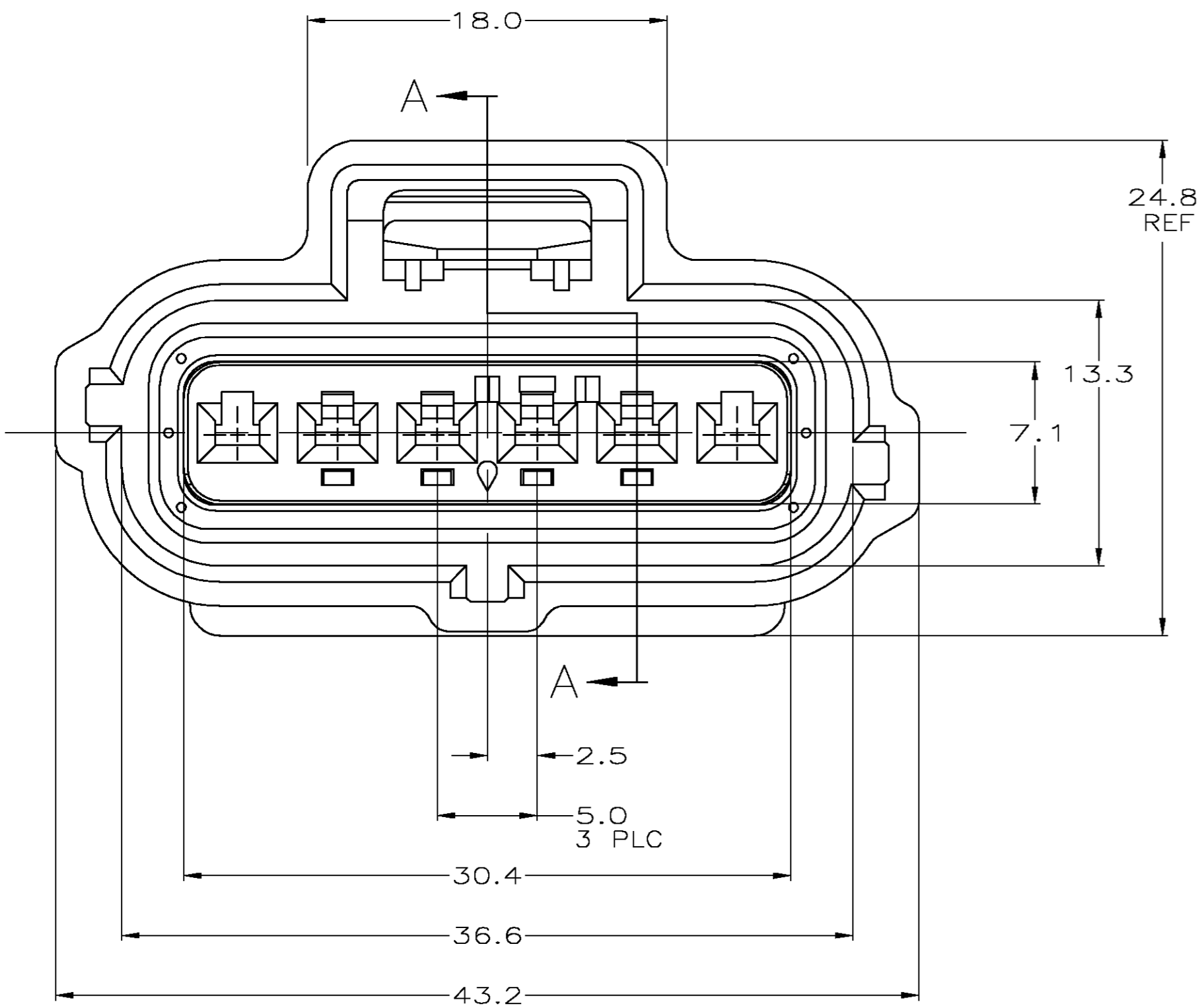
NOTES:
 1. END CIRCUITS 1 AND 6 ARE BLOCKED.



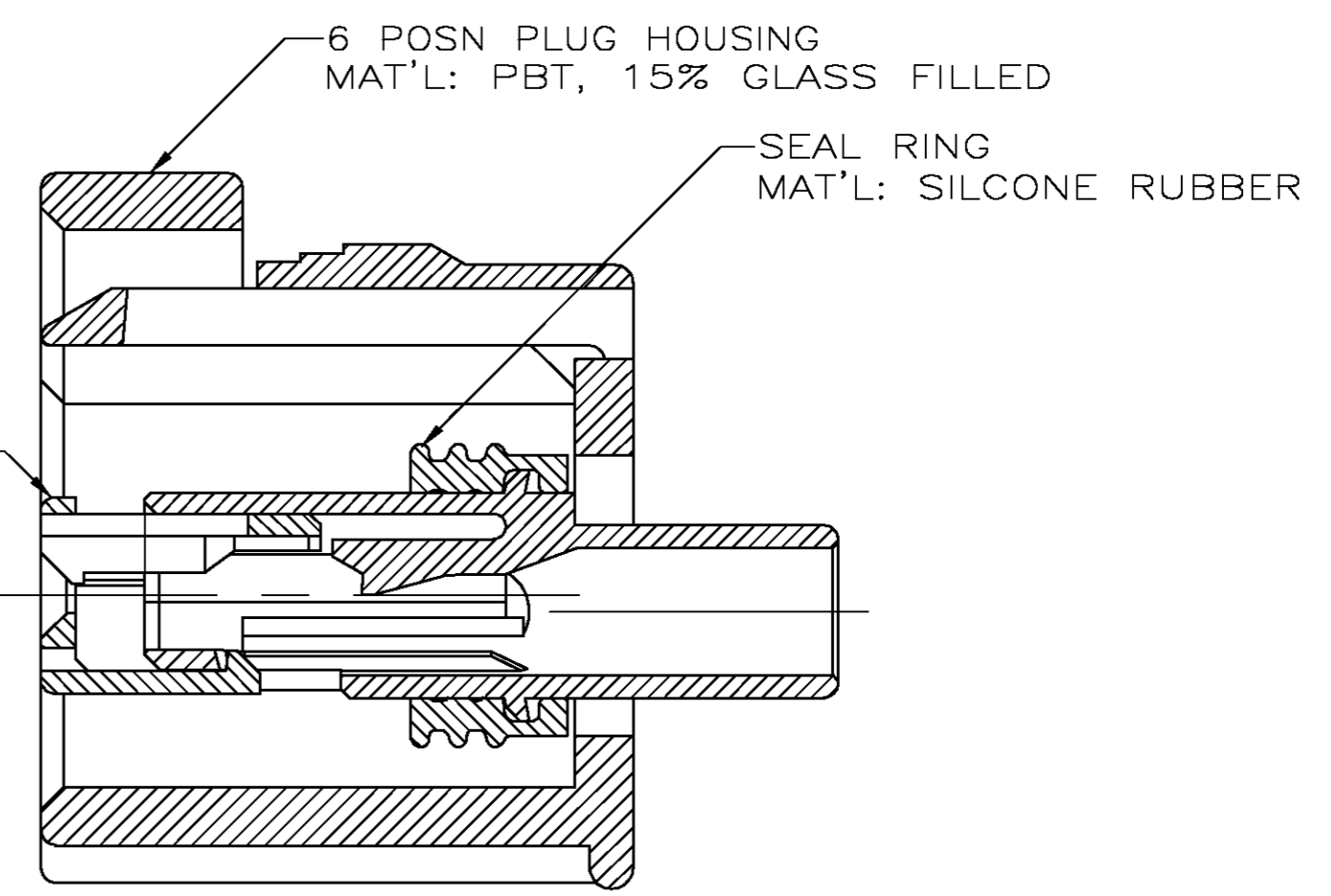
BLOCKED CIRCUIT

VIEW B-B

BLOCKED CIRCUIT



6 POSN DBL LOCK PLATE
 MAT'L: PBT, 15% GLASS FILLED



SECTION A-A

184134-1
 PART NUMBER

THIS DRAWING IS A CONTROLLED DOCUMENT.		DWN K.WISE 04/10/96	tyco Electronics	Tyco Electronics Corporation Harrisburg, Pa 17105-3608	
DIMENSIONS: mm		CHK C.HYRB 04/25/96		NAME 1 X 6B PLG ASY KEY C-C3	
TOLERANCES UNLESS OTHERWISE SPECIFIED:		APVD C.HYRB 04/25/96	PRODUCT SPEC		
0 PLC ± -		APPLICATION SPEC			
1 PLC ± -		WEIGHT			
2 PLC ± 0.3		SIZE A2			
3 PLC ± -		CAGE CODE 00779			
4 PLC ± -		DRAWING NO C=184134			
ANGLES ± -		RESTRICTED TO			
FINISH		SCALE 4:1			
MATERIAL		SHEET 1 OF 1			
		REV B			
		CUSTOMER DRAWING			