

4

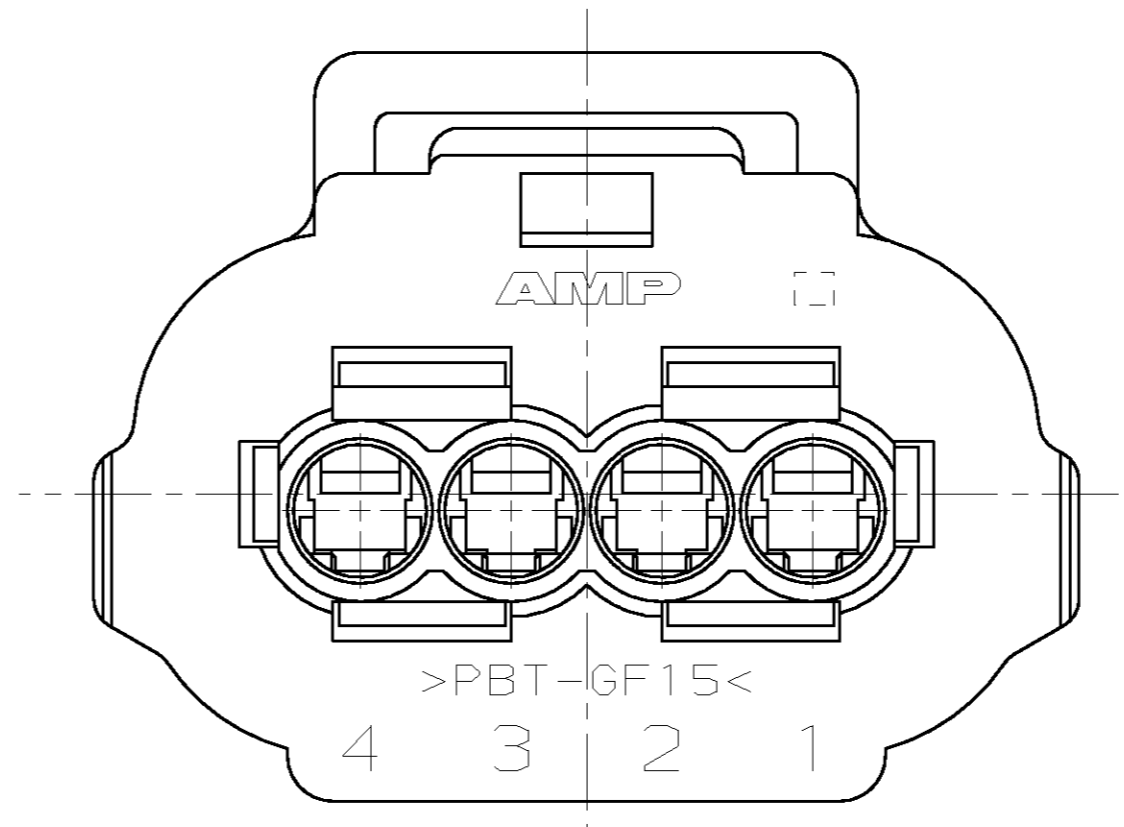
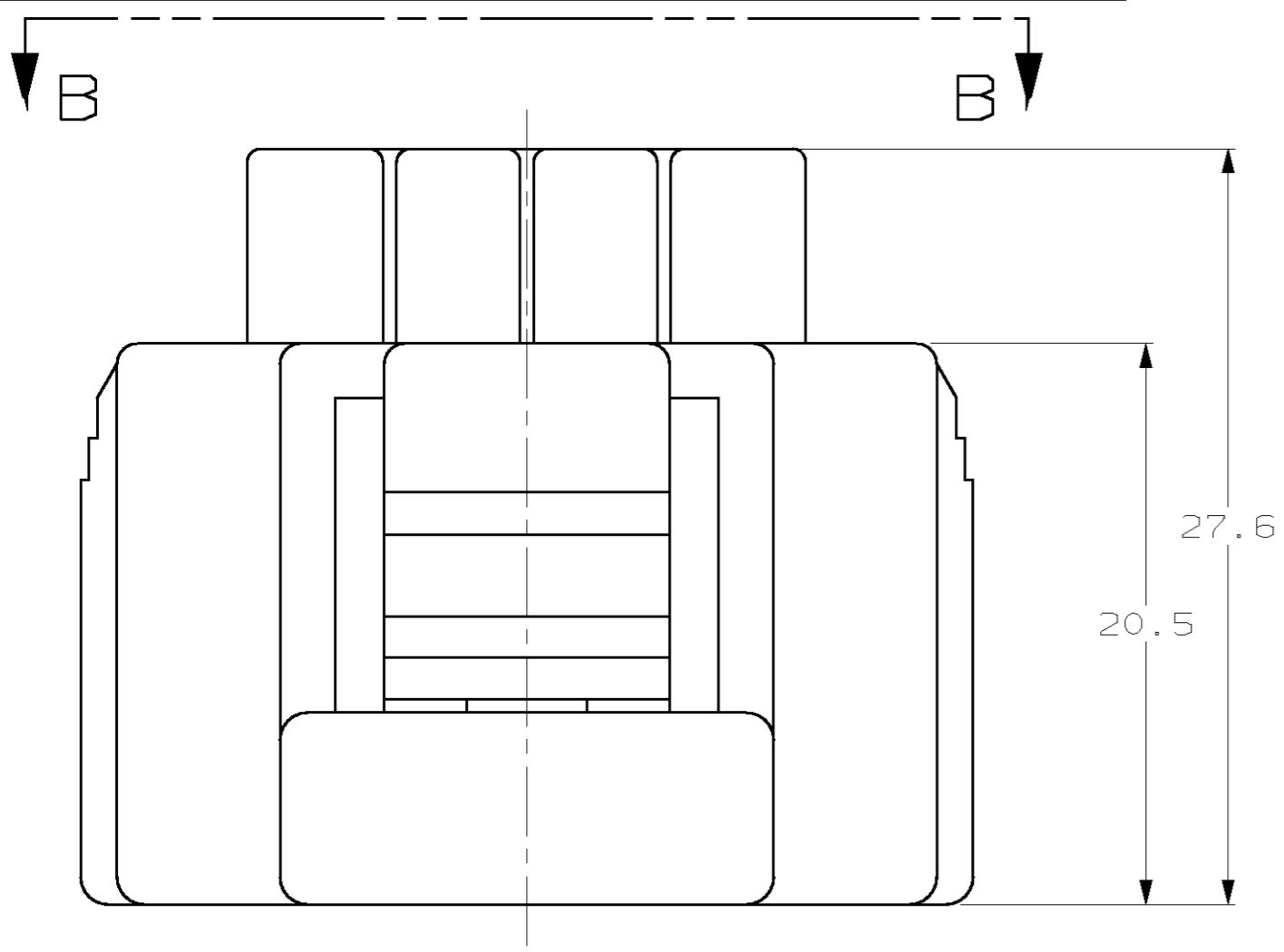
3

2

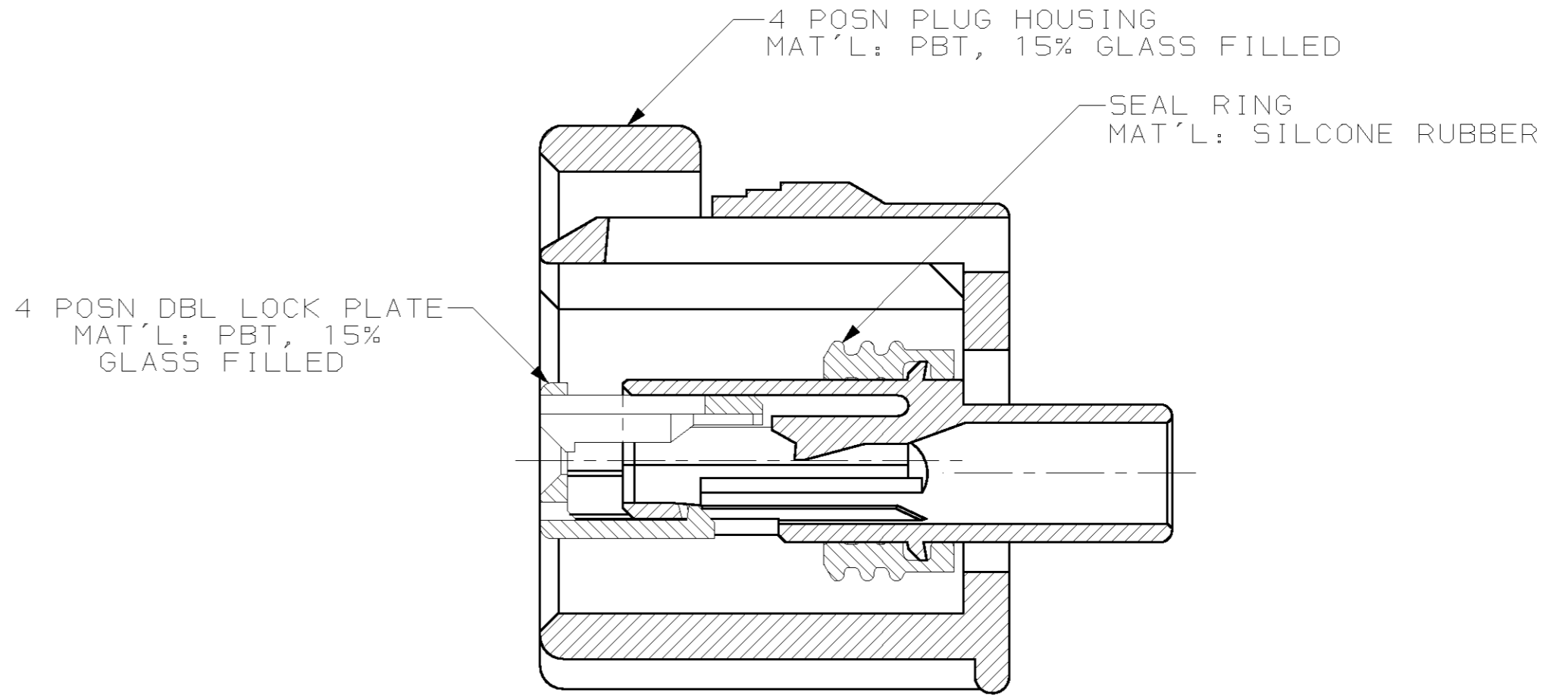
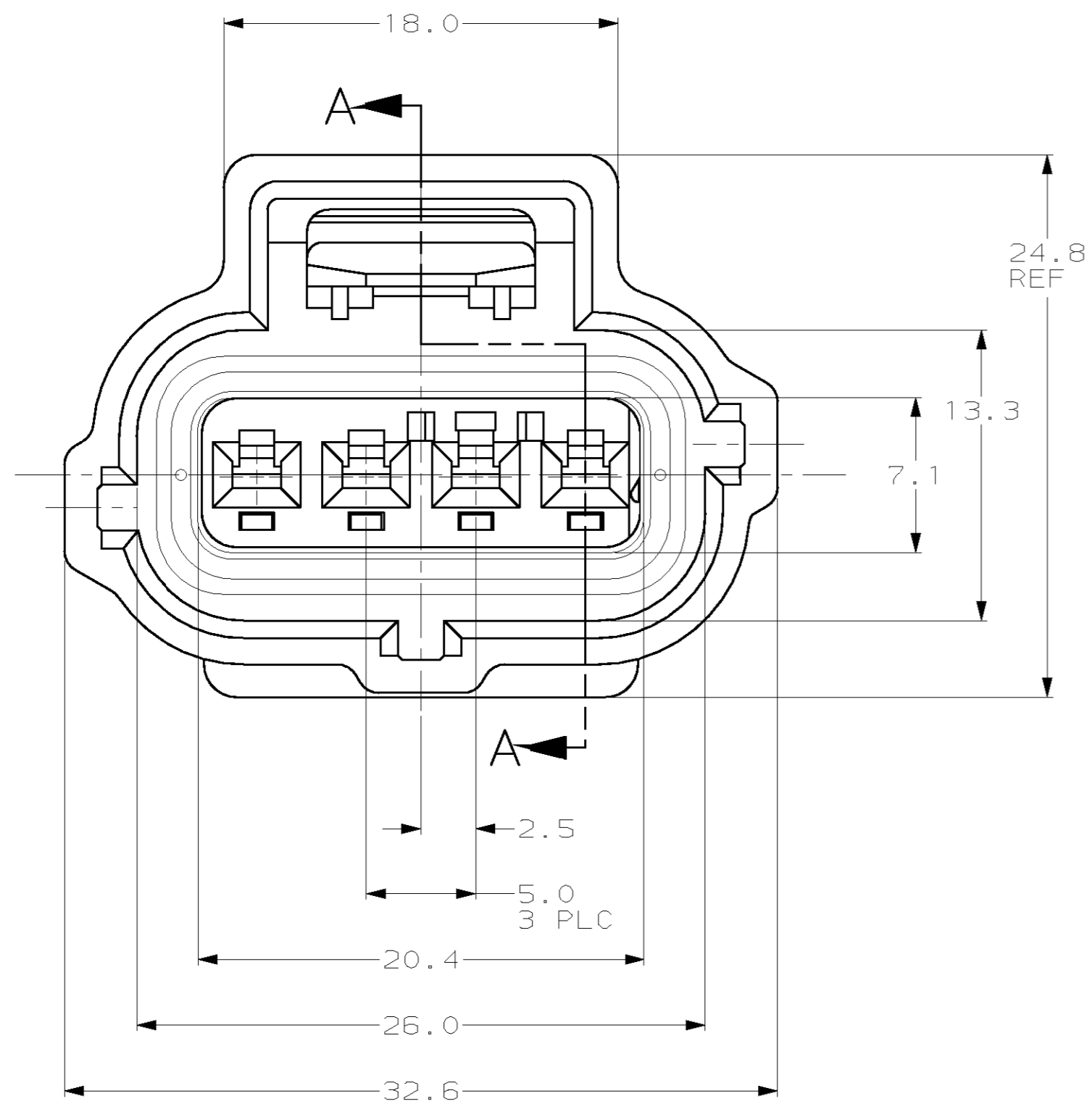
1

THIS DRAWING IS UNPUBLISHED. RELEASED FOR PUBLICATION .19
 (C) COPYRIGHT 19 BY AMP INCORPORATED. ALL RIGHTS RESERVED.

LOC		DIST		REVISIONS			
P	LTR	DESCRIPTION	DATE	DWN	APVD		
G	16	0	RELEASED, WAS 92-4072-2329-4	03OCT95	KL	E0	
		A	REV PER EC# 0K40-0138-00	7-17-00	PC	GI	



VIEW B-B



SECTION A-A

184052-1
 PART NUMBER

<small>THIS DRAWING IS A CONTROLLED DOCUMENT FOR AMP INCORPORATED. IT IS SUBJECT TO CHANGE AND THE CONTROLLING ENGINEERING ORGANIZATION SHOULD BE CONTACTED FOR THE LATEST REVISION.</small>		DWN KD LYTLE 03OCT95	AMP Incorporated Harrisburg, PA 17105-3608
DIMENSIONS: mm		CHK E. OSWANDEL 14AUG97	
TOLERANCES UNLESS OTHERWISE SPECIFIED: 0 PLC ±.2 1 PLC ±0.2 2 PLC ±. 3 PLC ±. 4 PLC ±. ANGLES ±1° FINISH -		APVD E. OSWANDEL 14AUG97	NAME 1 X 4 PLG ASY KEY D-C3
MATERIAL -		PRODUCT SPEC -	SIZE A2
		APPLICATION SPEC -	CAGE CODE 00779
		WEIGHT -	DRAWING NO. C-184052
		CUSTOMER DRAWING	SCALE 4:1
			184052 OF 1
			REV A

184052

B

A