

P	LTR	DESCRIPTION	DATE	DWN	APVD
A1	REVISED	ECR-16-007896	03JUN2016	KK	RK
A2	REVISED	ECR-19-006054	30JUL2019	DM	HK
A3	REVISED	ECR-21-005887	28MAY2021	SPB	MT
A4	REVISED	ECR-24-200576	05FEB2024	MO	RK

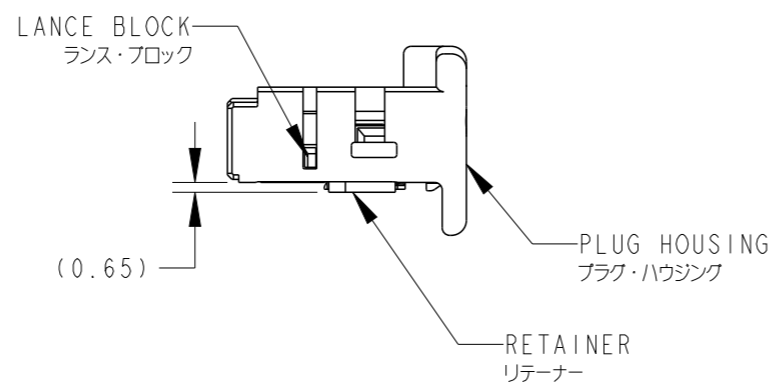
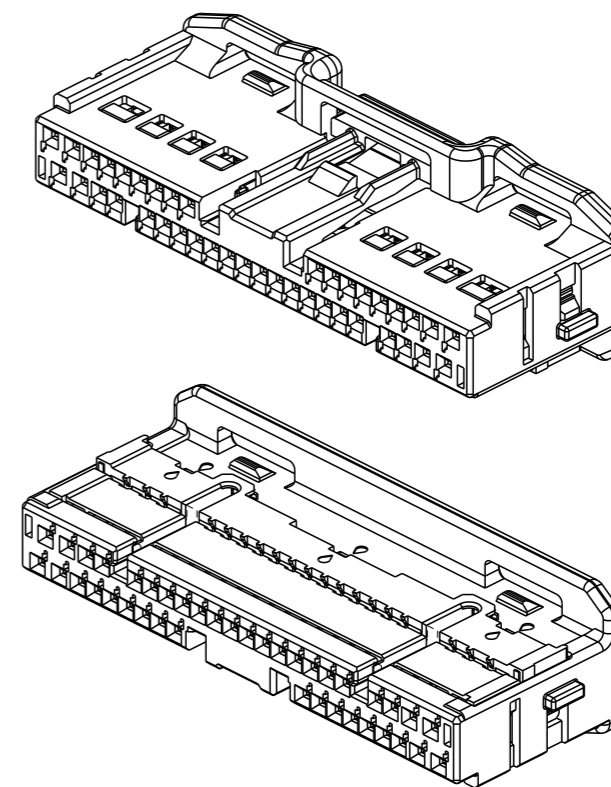
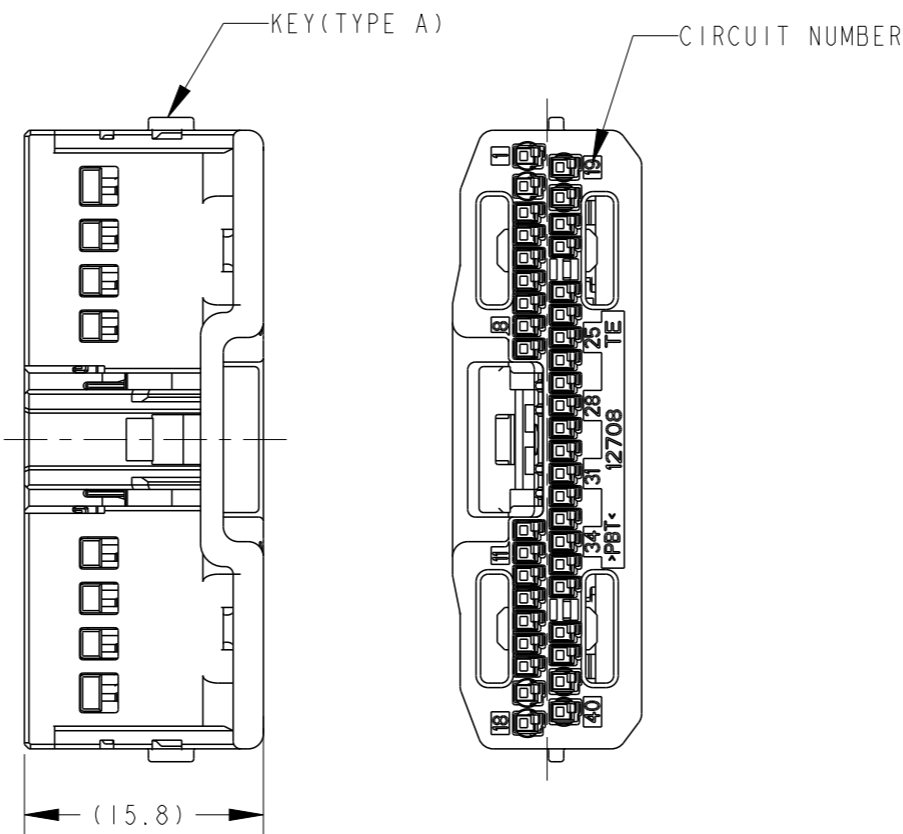
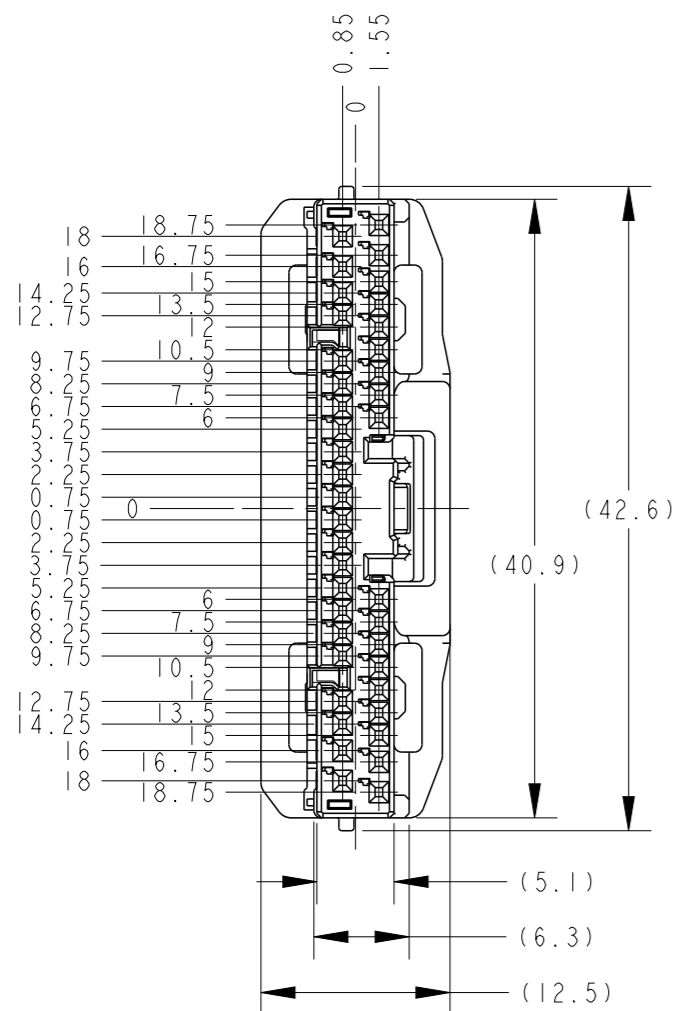


TABLE-3 (A4)

IDENTIFICATION MARK 識別マークの有無	DETAIL A
NO/無し	
YES/有り	

- 嵌合相手型番: 1871806-1
PART NUMBER OF CAP HOUSING TO BE MATED:
1871806-1
- キャビティ構成: TABLE-2参照
DETAILS OF CAVITIES: SEE TABLE-2
- 本製品の取扱は取扱説明書NO. 411-78199に従うこと
HANDLING OF THIS PART SHOULD FOLLOW
THE INSTRUCTION SHEET NO.411-78199
識別マーク TABLE-3 参照のこと。
IDENTIFICATION MARK. REFER THE TABLE-3

TABLE-1

PAPER BOX ダンボール箱	PLASTIC BAG ビニール袋	NATURAL (自然色)	1827842-1
OUTER 外装	INNER 内装	COLOR (色)	PART NUMBER (型番)
PACKING STYLE 梱包形態			

TABLE-2

POS. 極数	CIRCUIT NO 回路番号	APPLIED CONTACT P/N 適用端子型番	APPLICABLE WIRE RANGE 適用電線
32	3~16 21~38	1827855-1	CIVUS/CHFUS 0.22~0.35mm ²
		1827855-4	CIVUS/CHFUS 0.13~0.22mm ²
		1903703-1	CIVUS/CHFUS 0.22~0.35mm ²
8	1, 2, 17, 18, 19, 20, 39, 40	1827855-1	CIVUS/CHFUS 0.22~0.35mm ²
		1827855-2	CIVUS/CHFUS 0.35~0.5mm ²
		1827855-3	CPEX 0.22mm ²
		1903703-1	CIVUS/CHFUS 0.22~0.35mm ²

THIS DRAWING IS A CONTROLLED DOCUMENT.

DIMENSIONS: 単位: 概 mm	TOLERANCES UNLESS OTHERWISE SPECIFIED: 一般公差 ±0.3
	0 PLC ±
	1 PLC ±0.1
	2 PLC ±0.01
	3 PLC ±0.001
	4 PLC ±0.0001
	ANGLES ±3'00"
MATERIAL 材料 PBT	FINISH 仕上 SEE TABLE-1

DWN Y. SUEMITSU	25APR05
CHK K. SAKAMAKI	25APR05
APVD S. ISOHATA	25APR05
PRODUCT SPEC 製品規格 108-78208	
APPLICATION SPEC 取付適用規格 114-5379	
WEIGHT 2.63 g	



NAME
名称
PLUG ASSEMBLY 40POS, KEY TYPE-A
0.50 SERIES CONNECTOR

SIZE	CAGE CODE	DRAWING NO 番号	RESTRICTED TO
A3	00779	C=1827842	-

CUSTOMER DRAWING SCALE 1:1 SHEET 1 OF 1 REV A4