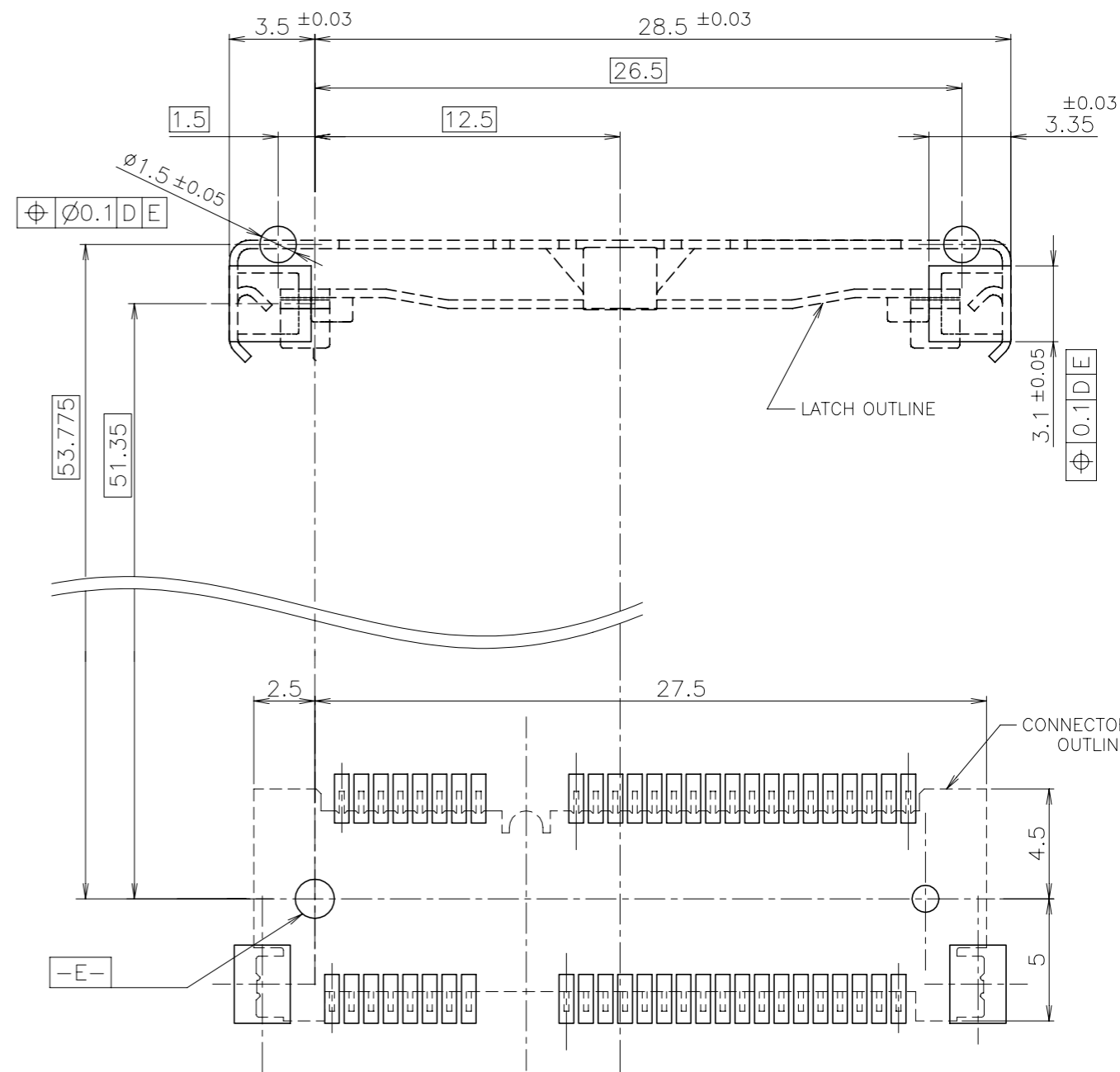
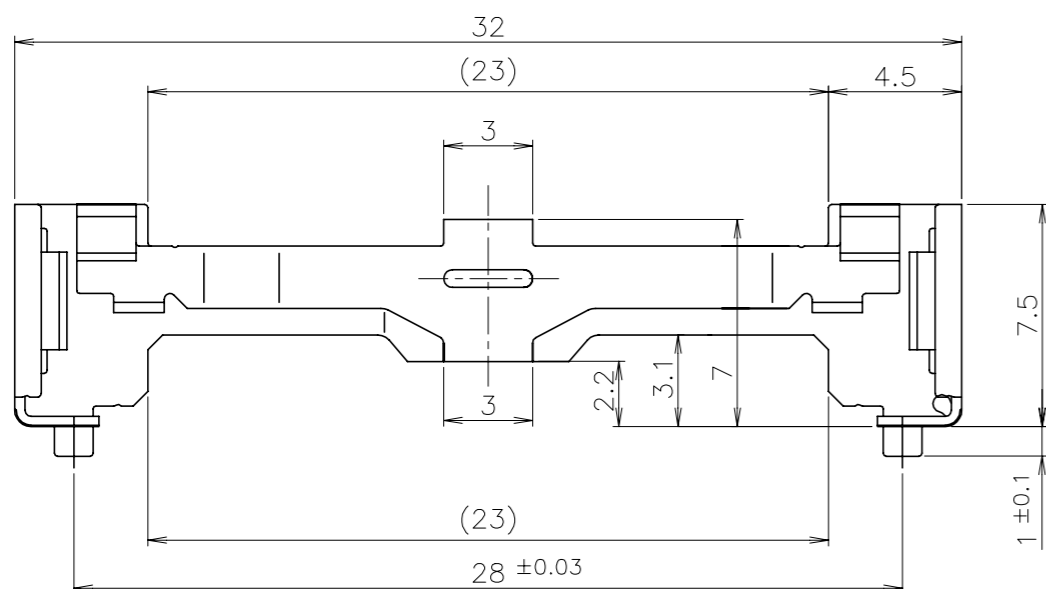
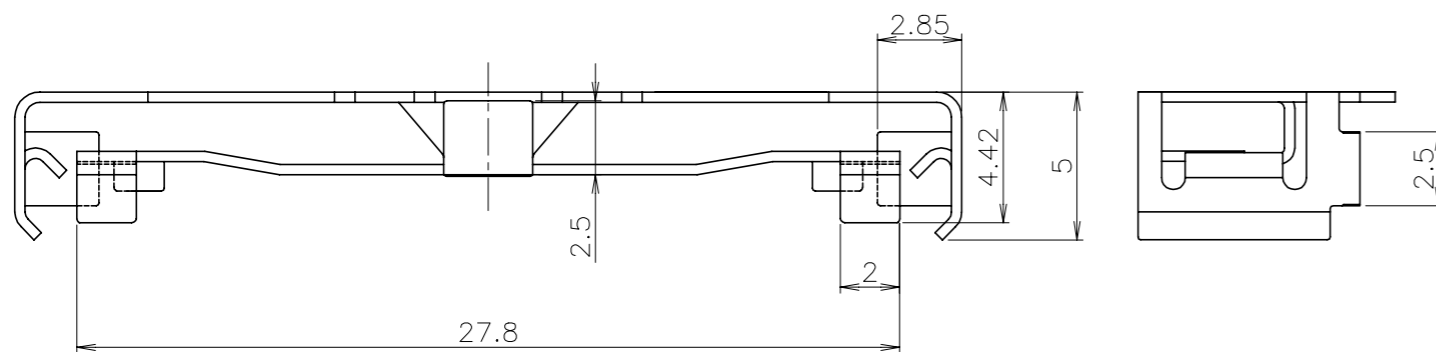
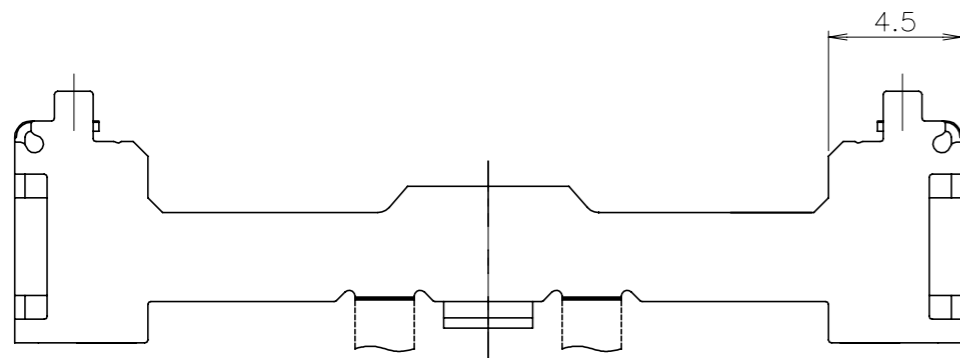


REVISIONS

P	LTR	DESCRIPTION	DATE	DWN	APVD
B		ECR-21-101838	06AUG2021	E.Z	N.S



- NOTE
 1. MATERIAL : STAINLESS STEEL
 2. FINISH : TIN PLATING ALL OVER NICKEL
 3. \square -D- IS THE TOP SURFACE OF PCB.

H7	1827682-1
HEIGHT	PART NUMBER

TOLERANCES UNLESS OTHERWISE SPECIFIED
 一般公差
 10 ≥ : ±0.2
 30 ≥ > 10 : ±0.25
 100 ≥ > 10 : ±0.3
 ANGLES ±3°

THIS DRAWING IS A CONTROLLED DOCUMENT.

DIMENSIONS: MM	TOLERANCES UNLESS OTHERWISE SPECIFIED:
	0 PLC ±
	1 PLC ±
	2 PLC ±
	3 PLC ±
	4 PLC ±
	ANGLES ±
MATERIAL	FINISH

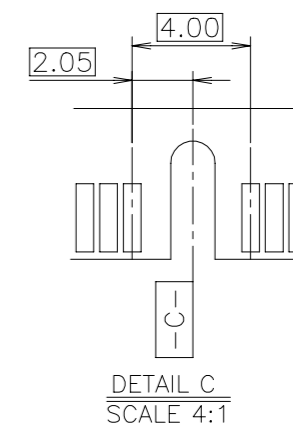
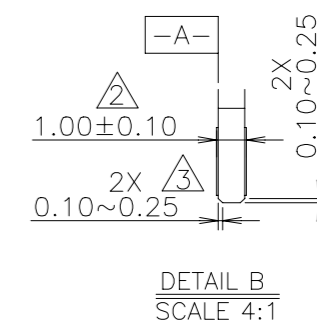
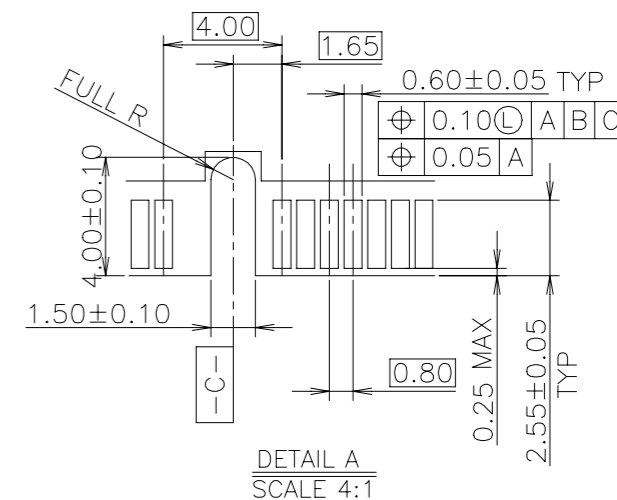
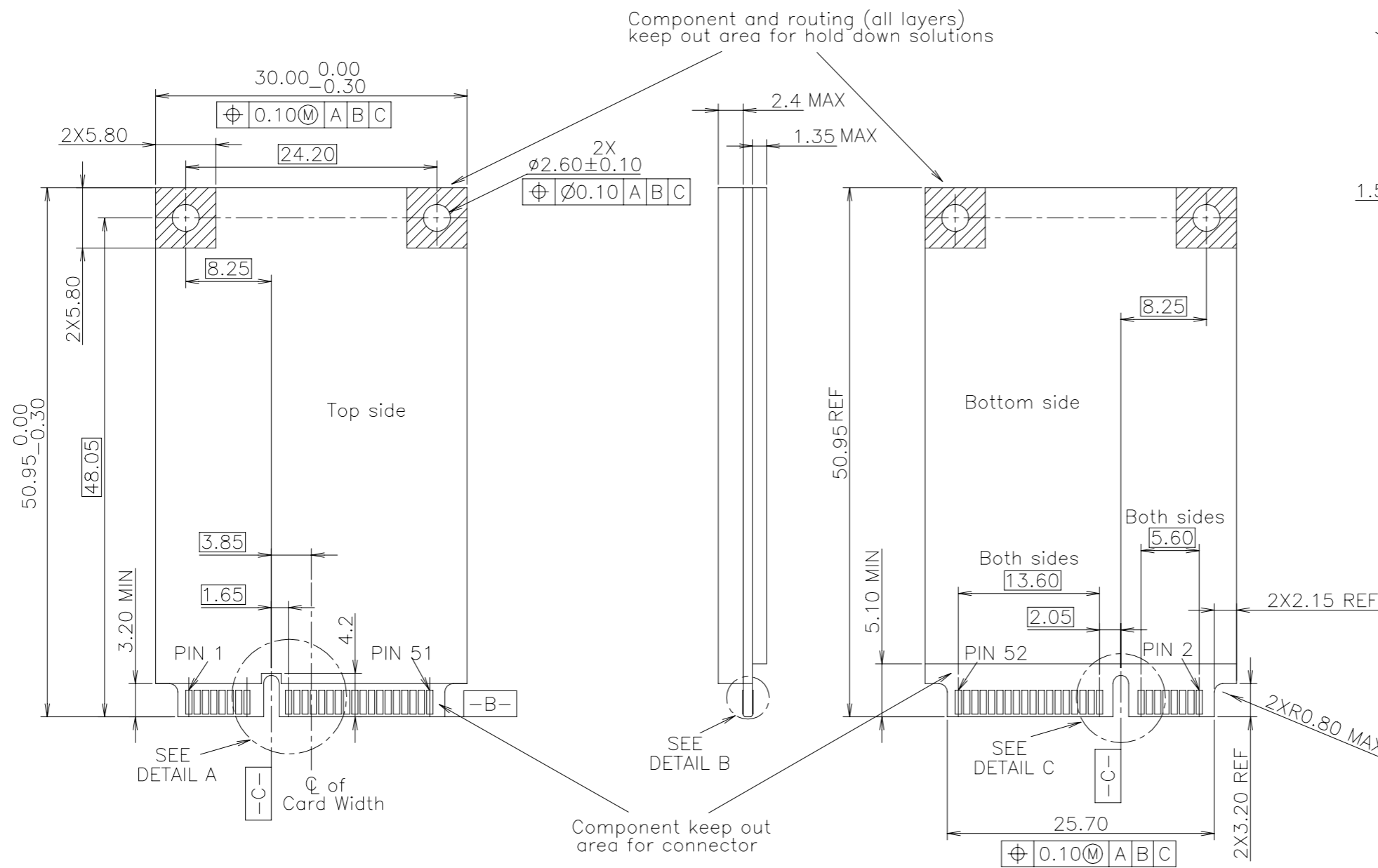
DWN	T.KAWAMAE	17JAN06
CHK	T.SASAKI	17JAN06
APVD	T.SASAKI	17JAN06
PRODUCT SPEC	108-78302	
APPLICATION SPEC	-	
WEIGHT	-	
CUSTOMER DRAWING		

REFERENTIAL P.C. BOARD LAYOUT



NAME				LATCH	
PRODUCT SPEC				MINI PCI EXPRESS CONNECTOR	
SIZE	CAGE CODE	DRAWING NO	RESTRICTED TO		
A3	00779	C-1827682	-		
SCALE			SHEET	REV	
4:1			1 OF 3	B	

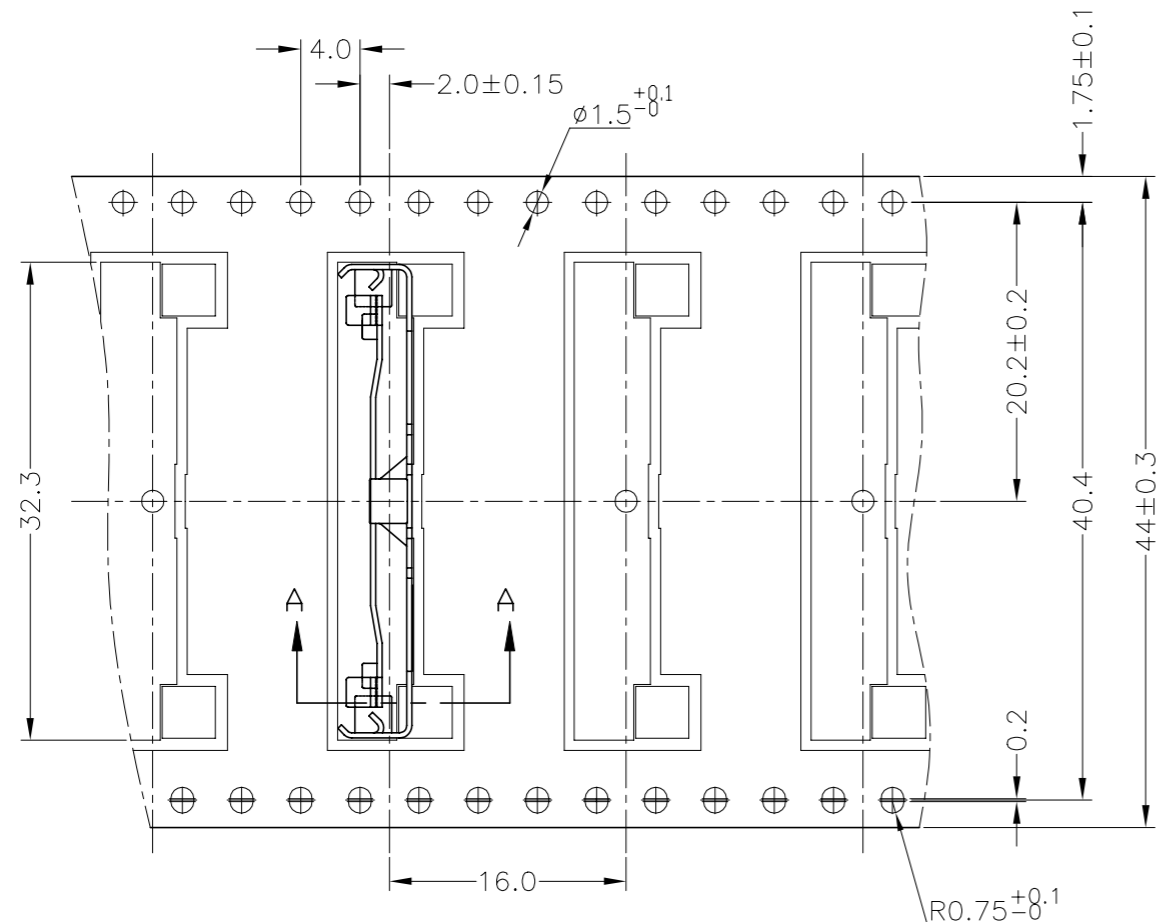
REVISIONS					
P	LTR	DESCRIPTION	DATE	DWN	APVD
-	-	SEE SHEET 1	-	-	-



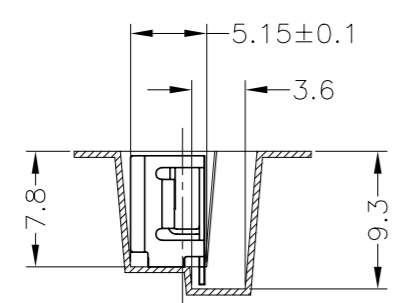
NOTES
 1. PCI EXPRESS MINI CARD, PCB THICKNESS 1.0MM.
 2. CARD THICKNESS APPLIES ACROSS TABS AND INCLUDES PLATING AND/OR METALIZATION.
 3. BEVEL MUST BE FREE OF CUTTING BURRS.

THIS DRAWING IS A CONTROLLED DOCUMENT.		DWN		TE Connectivity Ltd.	
DIMENSIONS: MM		CHK			
TOLERANCES UNLESS OTHERWISE SPECIFIED:		APVD			
0 PLC ± 1 PLC ± 2 PLC ± 3 PLC ± 4 PLC ± ANGLES ±		NAME			
MATERIAL		PRODUCT SPEC		LATCH	
		APPLICATION SPEC		MINI PCI EXPRESS CONNECTOR	
		WEIGHT		SIZE	
		CUSTOMER DRAWING		CAGE CODE	
				DRAWING NO	
				RESTRICTED TO	
				A3 00779 C-1827682	
				SCALE	
				2:1	
				SHEET	
				2 OF 3	
				REV	
				B	

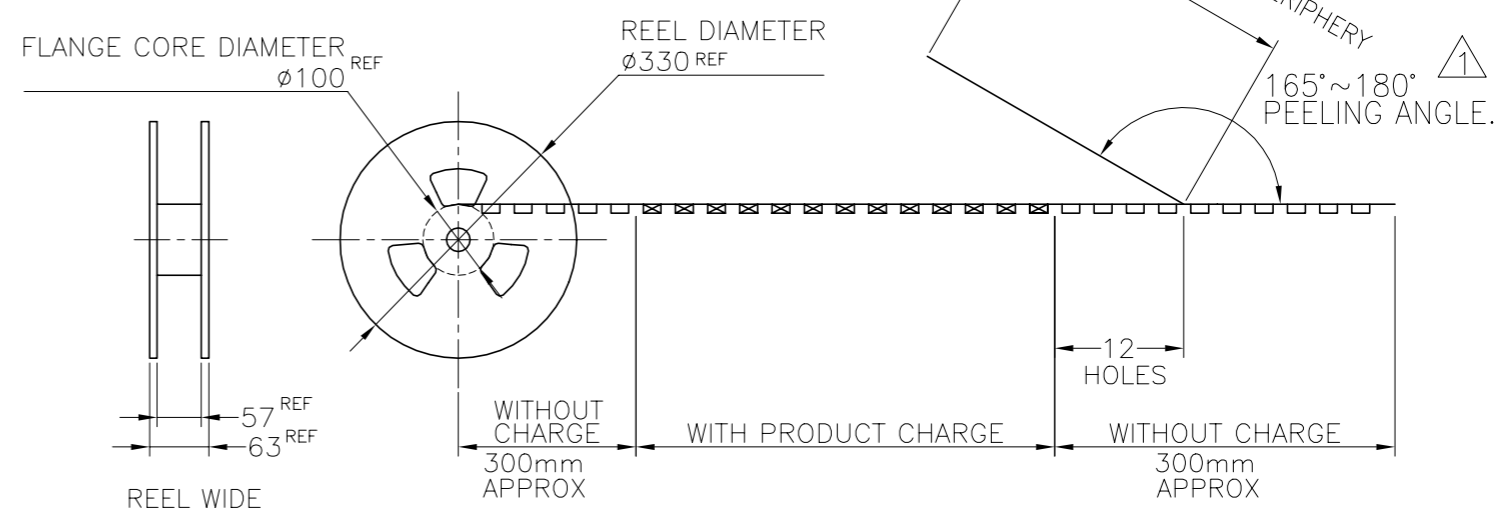
REVISIONS					
P	LTR	DESCRIPTION	DATE	DWN	APVD
-	-	SEE SHEET 1	-	-	-



⚠ PEELING RESISTANCE: 0.1~0.3N
SPEED: 300mm/min.



TOP OF REEL →



300EA	8-912103-4	1827682-1
QTY/REEL	EMBOSS TAPE P/N	P/N

THIS DRAWING IS A CONTROLLED DOCUMENT.		DWN	TE Connectivity Ltd.					
DIMENSIONS: MM		CHK				NAME		
TOLERANCES UNLESS OTHERWISE SPECIFIED:		APVD				LATCH MINI PCI EXPRESS CONNECTOR		
0 PLC ± 1 PLC ± 2 PLC ± 3 PLC ± 4 PLC ± ANGLES ±		PRODUCT SPEC				SIZE	CAGE CODE	DRAWING NO
MATERIAL		FINISH	RESTRICTED TO					
			A3 00779 C-1827682					
			CUSTOMER DRAWING					
			SCALE	SHEET	REV			
			4:1	3 of 3	B			