

THIS DRAWING IS UNPUBLISHED.

RELEASED FOR PUBLICATION APR , 2005.

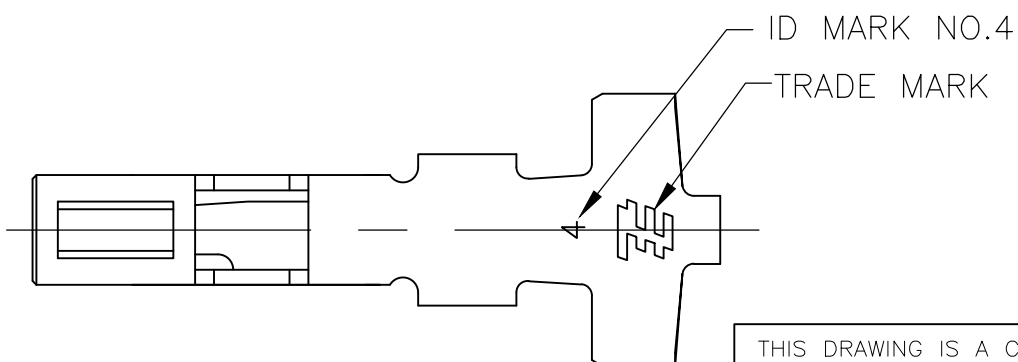
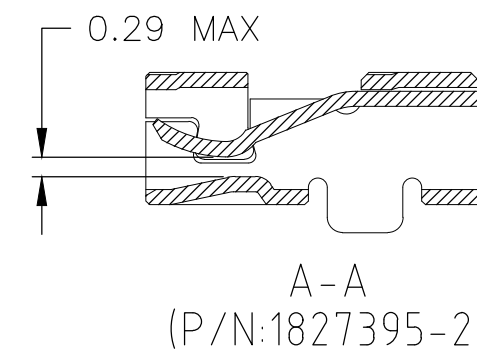
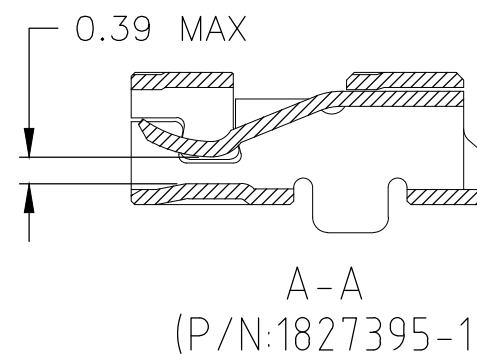
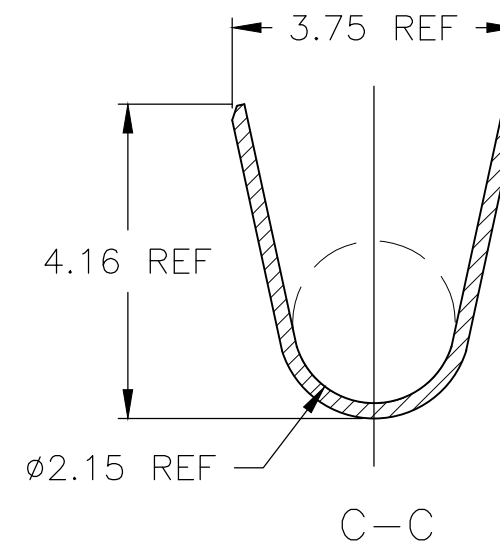
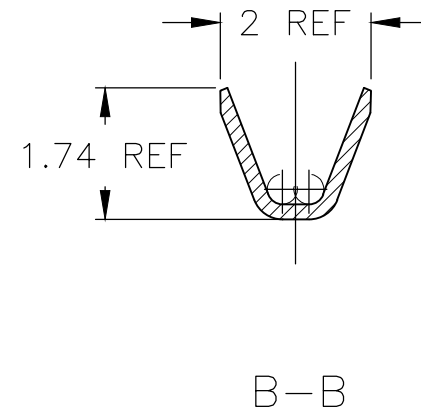
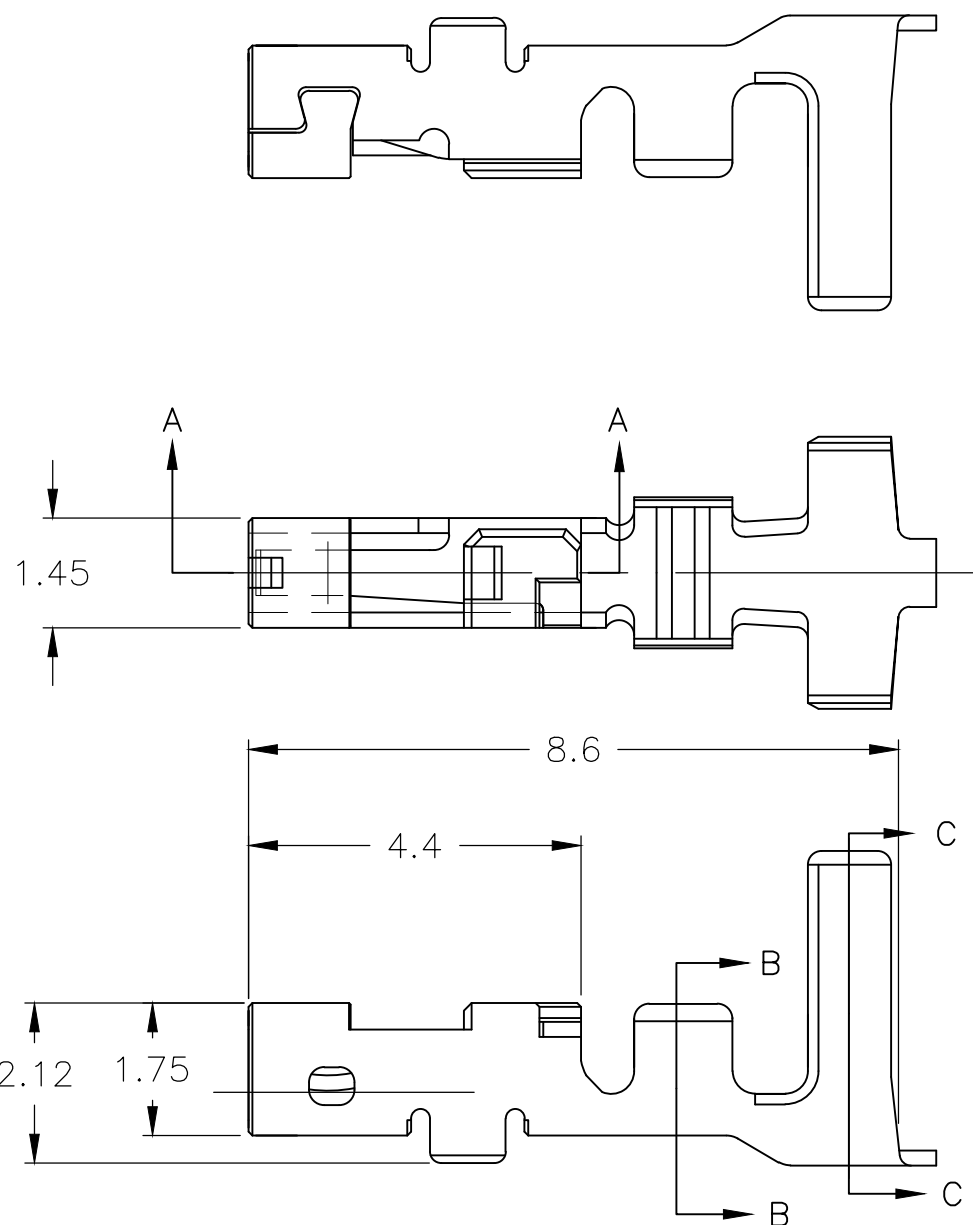
REVISIONS

変更

© COPYRIGHT 2005 Tyco Electronics JAPAN G.K.

ALL RIGHTS RESERVED.

P	LTR	DESCRIPTION	DATE	DWN	APVD
	E3	REVISED PER ECR-20-100273	11AUG2020	SC	D.Z



- 1 一般公差: ±0.25
- 2 材料: 錫めっき済 銅合金
- 3 適用電線: AWG #20-#24 (被覆外径$\phi 1.5\sim\phi 2.5$)

- 1 GENERAL TOLERANCE: ±0.25
- 2 MATERIAL: PRE-TIN COPPER ALLOY
- 3 APPLICABLE WIRE: AWG #20-#24 (INS DIA$\phi 1.5\sim\phi 2.5$)

1827395-2
1827395-1
PART NUMBER

THIS DRAWING IS A CONTROLLED DOCUMENT.		DWN T.HATANO 12APR2005	TE Connectivity		
DIMENSIONS: 単位: 耗 mm		CHK A.OISHI 12APR2005			
TOLERANCES UNLESS OTHERWISE SPECIFIED: 一般公差		APVD N.YAMASAKI 12APR2005	NAME 名称 GRACE INERTIA CONNECTOR 3.3 REC CONTACT		
0 PLC ±		PRODUCT SPEC 製品規格 108-78231	SIZE		
1 PLC ±		APPLICATION SPEC 取付適用規格 114-5372	CAGE CODE	DRAWING NO 番号 A300779	RESTRICTED TO
2 PLC ±		WEIGHT	G=1827395		SCALE
3 PLC ±		CUSTOMER DRAWING			
4 PLC ±		SCALE 10:1			
ANGLES ±		SHEET 1 OF 1			
FINISH 仕上		REV E3			
MATERIAL 材料 SEE NOTE					