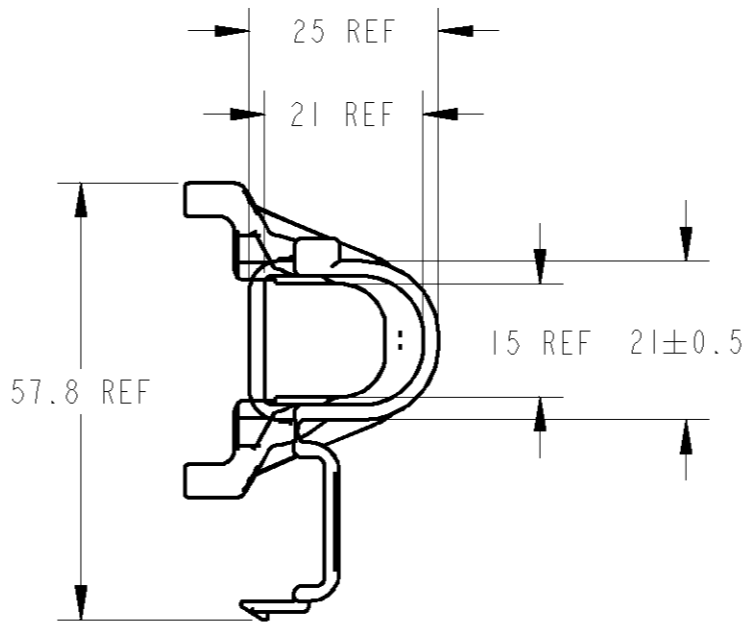
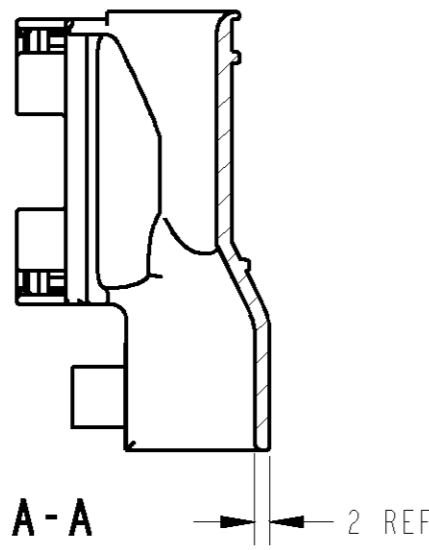
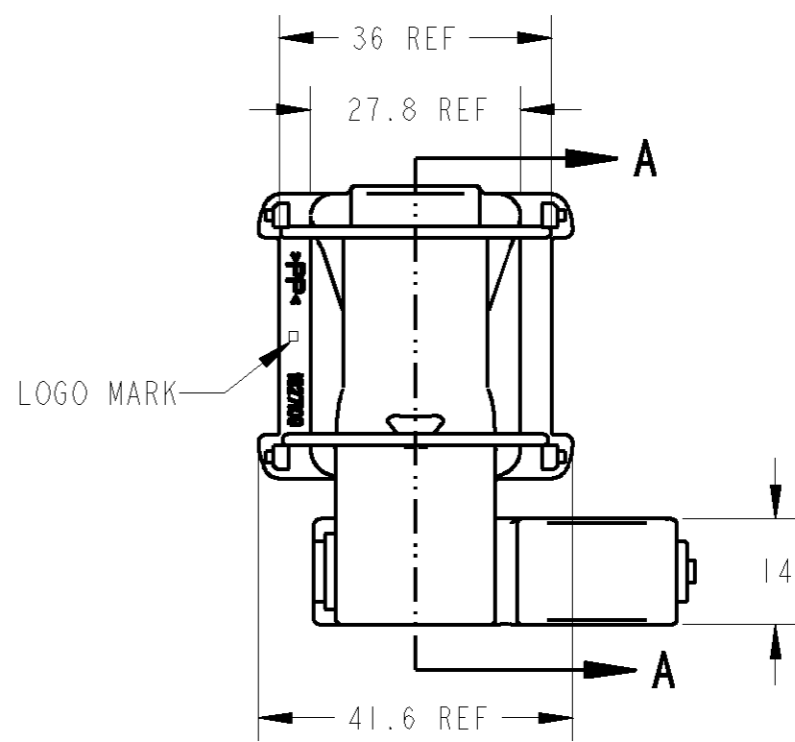
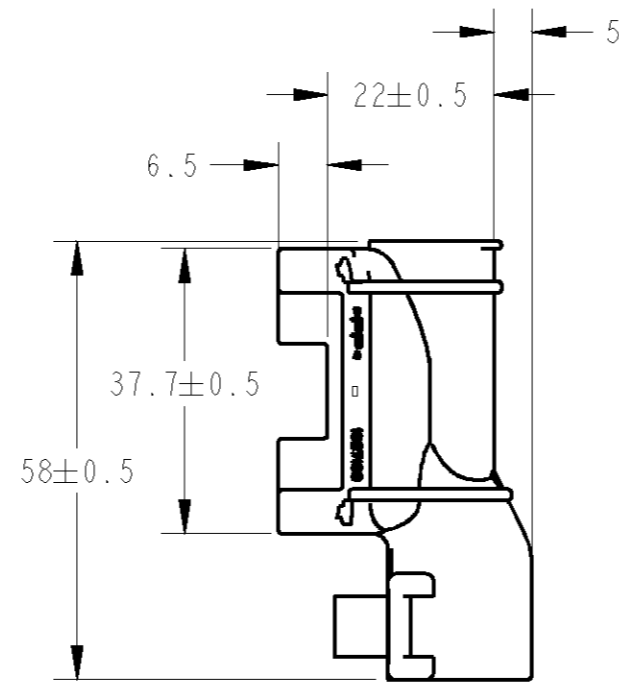
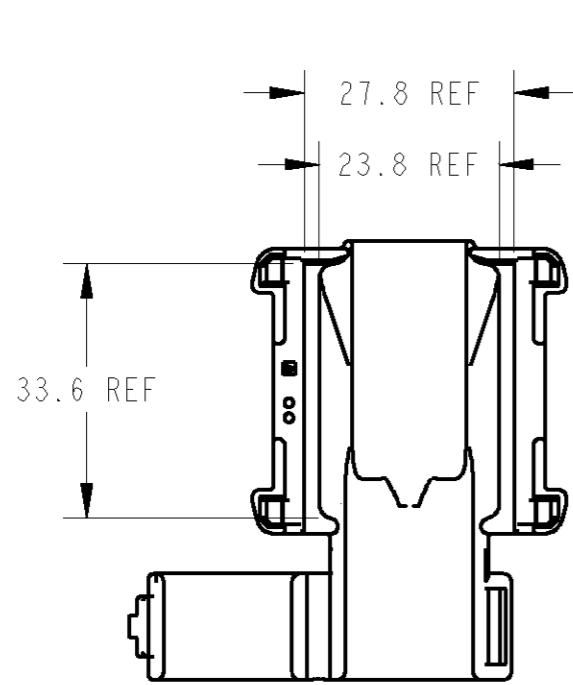


THIS DRAWING IS UNPUBLISHED. RELEASED FOR PUBLICATION 20  
 © COPYRIGHT 20 BY TYCO ELECTRONICS CORPORATION. ALL RIGHTS RESERVED.

LOC	DIST	REVISIONS				
P	LTR	DESCRIPTION	ECN	DATE	DWN	APVD
J	-	0	RELEASED	FJA0-0015-05	07JAN05	K.S Y.F
		A	REVISED	ECR-10-007504	26MAY10	TS KB



1. MATING WITH PLUG HOUSING SMOOTHLY.  
 PLUG HOUSING PRODUCT NUMBER ; 1717138  
 1. 相手ハウジングと支障なく嵌合できること。  
 嵌合相手型番 ; 1717138

- 1 ; AS SHOWN

THIS DRAWING IS A CONTROLLED DOCUMENT FOR TYCO ELECTRONICS CORPORATION IT IS SUBJECT TO CHANGE AND THE CONTROLLING ENGINEERING ORGANIZATION SHOULD BE CONTACTED FOR THE LATEST REVISION.		DWN K. SHIGA 07JAN05 CHK Y. NOGUCHI 07JAN05 APVD Y. FUJIWARA 07JAN05	Tyco Electronics Corporation Kawasaki, Japan
DIMENSIONS: 単位: 概 mm	TOLERANCES UNLESS OTHERWISE SPECIFIED: 一般公差 ±0.3 0-PLC ± 1-PLC ±0.3 2-PLC ±0.10 3-PLC ±0.001 4-PLC ±0.0001 ANGLES ±1.00°	PRODUCT SPEC 製品規格 108-5911 APPLICATION SPEC 取付適用規格 -	NAME 名称 WIRE COVER 44POSITION B-TYPE 0.64/1.0 SEALED CONNECTOR
MATERIAL 材料 PP	FINISH 仕上 BLACK	WEIGHT 8.0g	SIZE A3 CAGE CODE 00779 DRAWING NO. 1827109 RESTRICTED TO -
CUSTOMER DRAWING			SCALE 1:1 SHEET 1 OF 1 REV A