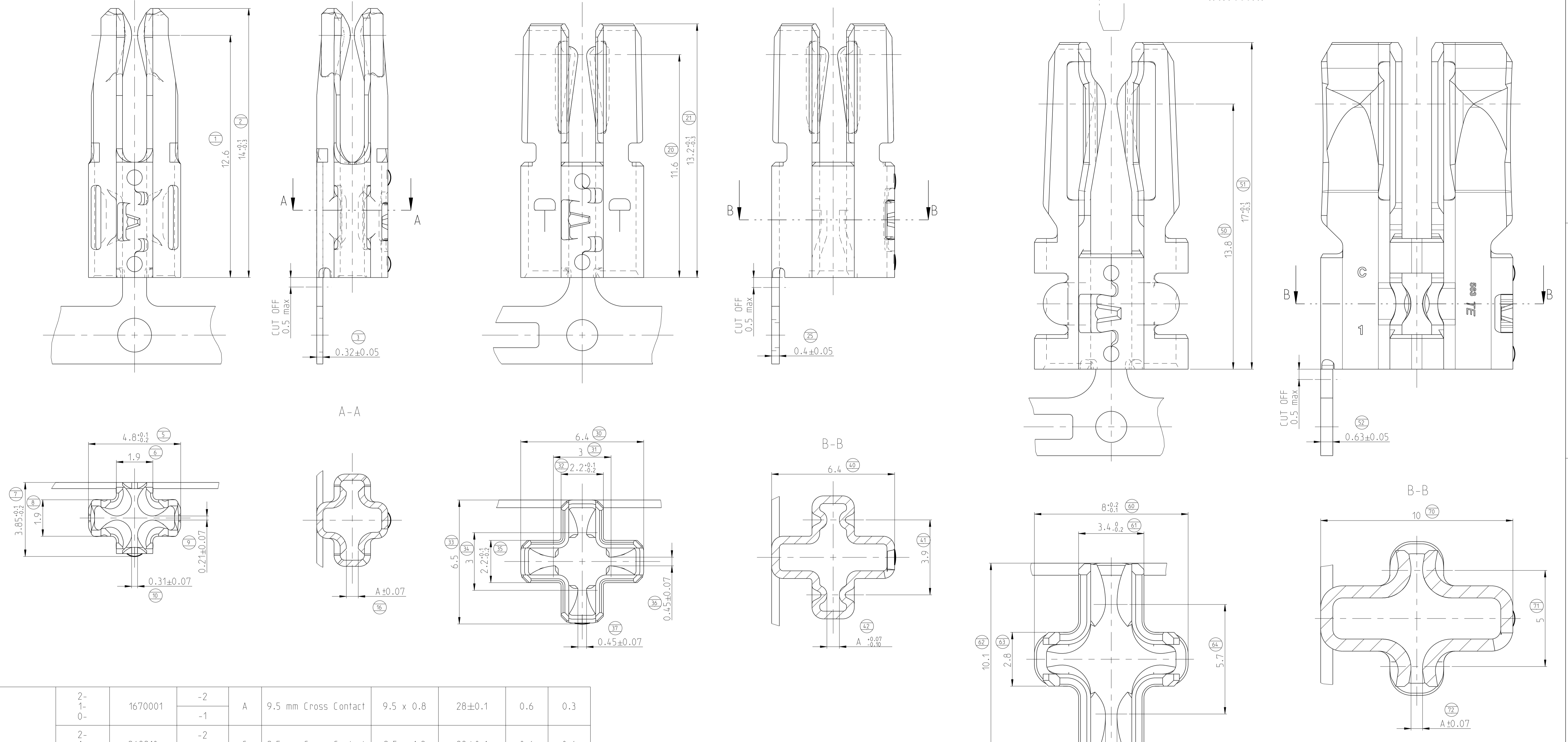


2,8 mm Cross Contact
 PN x-968907-x
 x-968908-x

6,3 mm Cross Contact
 PN x-968047-x
 x-968048-x

9,5 mm Cross Contact
 PN x-968909-x
 x-968910-x
 x-1670001-x

REVISIONS				
P. LTH	DESCRIPTION	DATE	DWN	APVD
A	New drawing	04FEB2016	MP	VC



LEAD FRAME THICKNESS	PACKAGING VARIANT	BASE NUMBER	PLATING VARIANT	REV.	DESCRIPTION	MATING TAB DIMENSIONS	APPLICATION FEED	A	B
0.8	2-1-0-	1670001	-2	A	9.5 mm Cross Contact	9.5 x 0.8	28±0.1	0.6	0.3
				-1					
	2-1-0-	968910	-2	C	9.5 mm Cross Contact	9.5 x 1.2	28±0.1	0.6	0.6
				-1					
	2-1-0-	968048	-2	E	6.3 mm Cross Contact	6.3 x 0.8	22.5±0.1	0.65	-
				-1					
2-1-0-	968908	-2	E	2.8 mm Cross Contact	2.8 x 0.8	14±0.1	0.62	-	
			-1						
0.63	2-1-0-	968909	-2	C	9.5 mm Cross Contact	9.5 x 1.2	28±0.1	0.4	0.6
				-1					
	2-1-0-	968047	-2	E	6.3 mm Cross Contact	6.3 x 0.8	22.5±0.1	0.5	-
				-1					
	2-1-0-	968907	-2	E	2.8 mm Cross Contact	2.8 x 0.8	14±0.1	0.4	-
				-1					

- 1 REELING DIRECTION
- 2 ALL VERSIONS SPlice FREE
- 3 CAVITY SEE TE SPEC. 114-18981
- 4 GEOMETRY OF CONNECTING TAB ACC. TO TE SPEC. 114-18220
- 5 THE RECEPTACLE CAN BE MATED ONLY IN ORIENTED POSITION WITH CONNECTING TAB
- 6 PACKING: 0-xxxxxx-x corrugated reel
 1-xxxxxx-x plastic reel
 2-xxxxxx-x pallet reel Ø1200 mm
- 7 PLATING: x-xxxxxx-1 TIN
 x-xxxxxx-2 TIN-SILVER



THIS DRAWING IS A CONTROLLED DOCUMENT.

DIMENSIONS: mm	TOLERANCES UNLESS OTHERWISE SPECIFIED:	DWN: M. Pavlicek 02FEB2016	CHK: M. Briel 04FEB2016	APVD: V. Cech 04FEB2016
MATERIAL: CuNiSi	FINISH: 7	PRODUCT SPEC: 108-94.188	APPLICATION SPEC: 114-94.202	WEIGHT: -

NAME: CROSS CONTACT GROUP DRAWING

SIZE: A1 CAGE CODE: 00779 DRAWING NO: C=1823667

CUSTOMER DRAWING SCALE: 10:1 SHEET: 1 OF 1 REV: A