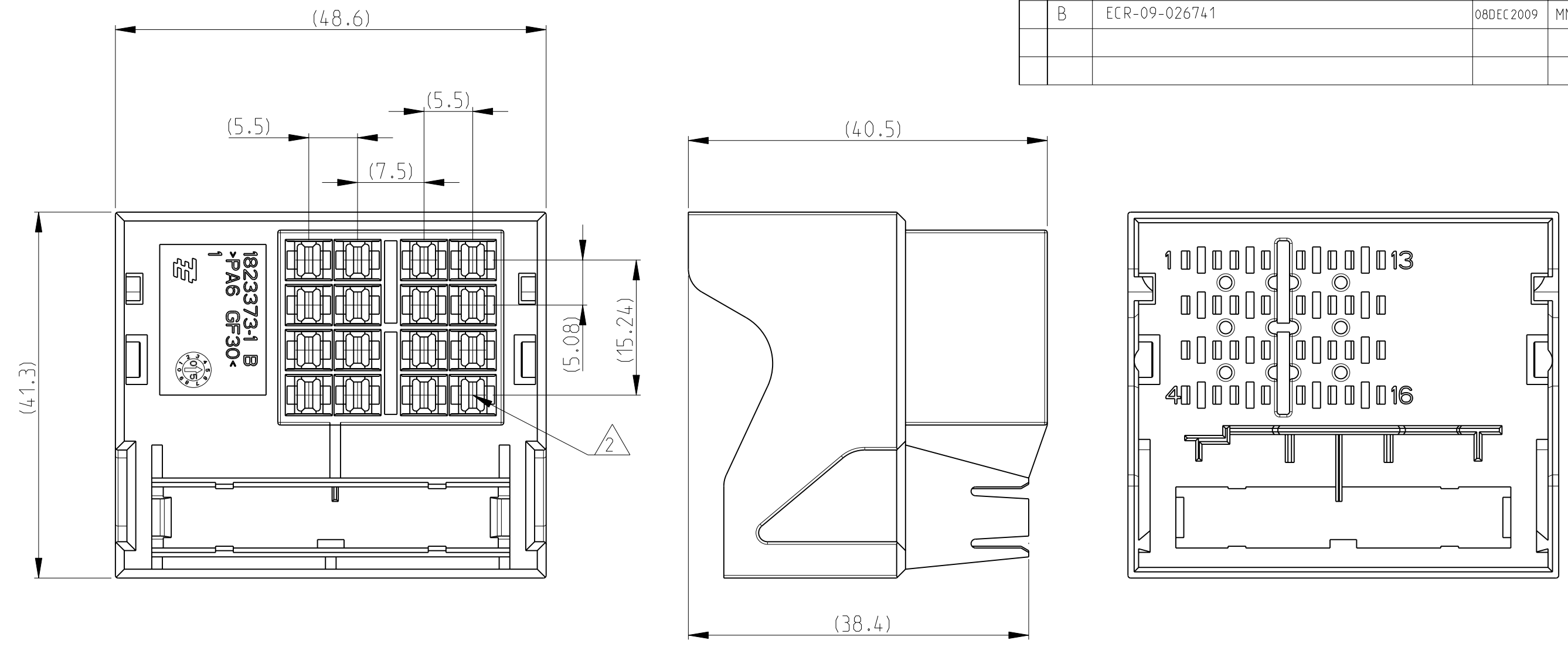
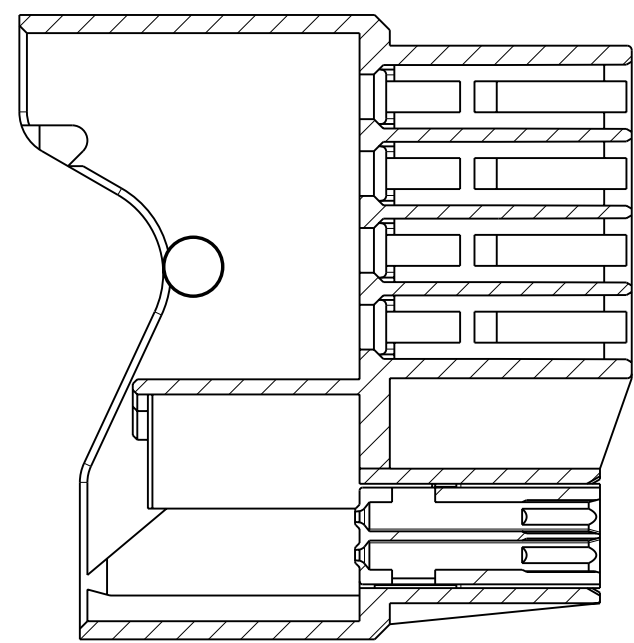


THIS DRAWING IS UNPUBLISHED. RELEASED FOR PUBLICATION 2008
 © COPYRIGHT 2008 BY TYCO ELECTRONICS CORPORATION. ALL RIGHTS RESERVED.

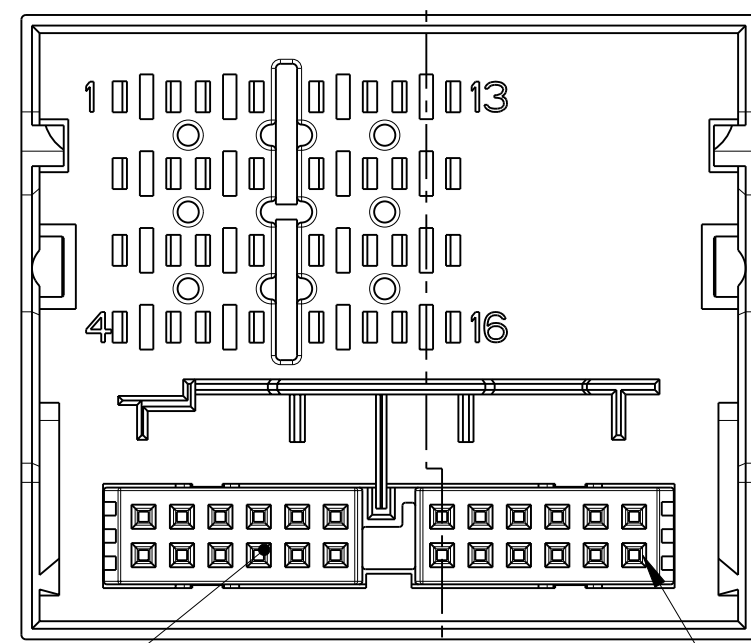
LOC	DIST	REVISIONS			
P	LTR	DESCRIPTION	DATE	DWN	APVD
A		new	04SEP2006	MM	BF
B		ECR-09-026741	08DEC2009	MM	BF



ONLY FOR INFORMATION
 NUR ZUR INFORMATION

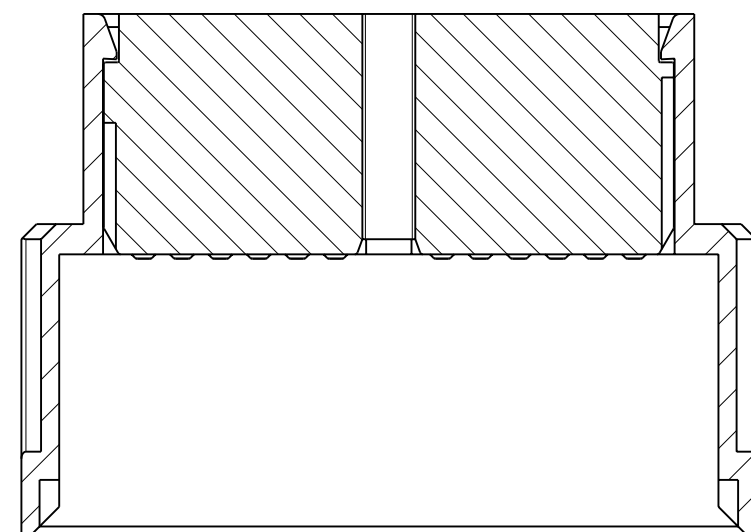


A-A

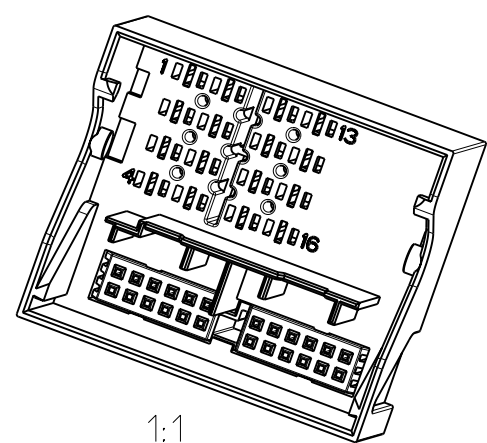


A

SUITABLE
 PN 1670686-2



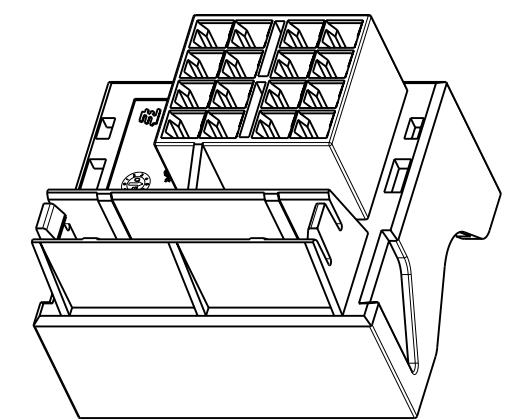
C-C



1:1

NOTES:
 Bemerkungen:

- 1 SUITABLE FOR TE-PN 1241765-2
 Passend fuer Buchsengehaeuse TE-PN 1241765-2
- 2 CONTACT-CAVITIES SUITABLE FOR TE-CONTACT 964296
 Kontaktkammern passend fuer TE-Kontakt 964296
- 3 CONTACT-CAVITIES SUITABLE FOR TE-CONTACT 1-928918-1
 Kontaktkammern passend fuer TE-Kontakt 1-928918-1
- 4 PACKAGING : 350 PIECES IN CARTON
 Verpackung: 350 Teile im Karton



1:1

1823373-1	HOUSING 16 POS.RADIO ADAPTER	PA6 GF30	BLACK	1
ORDER- PART NO	DESCRIPTION	MATERIAL	COLOUR	ITEM
<small>THIS DRAWING IS A CONTROLLED DOCUMENT FOR TYCO ELECTRONICS CORPORATION IT IS SUBJECT TO CHANGE AND THE CONTROLLING ENGINEERING ORGANIZATION SHOULD BE CONTACTED FOR THE LATEST REVISION.</small>		DWN M.Menzel 060KT2008 CHK B.Fieberling 060KT2008	Tyco Electronics tyco Electronics AMP GmbH 64625 Bensheim (Germany)	
DIMENSIONS: mm		APVD -	NAME HOUSING 16 POS. RADIO ADAPTER	
TOLERANCES UNLESS OTHERWISE SPECIFIED: 0 PLC ±- 1 PLC ±- 2 PLC ±- 3 PLC ±- 4 PLC ±- ANGLES ±1° FINISH		PRODUCT SPEC - APPLICATION SPEC - WEIGHT -	SIZE A2 CAGE CODE 00779 DRAWING NO C-1823373 RESTRICTED TO -	
MATERIAL PA6 GF30	CUSTOMER DRAWING /	KUNDENZEICHNUNG	SCALE 2:1	SHEET 1 OF 1 REV B