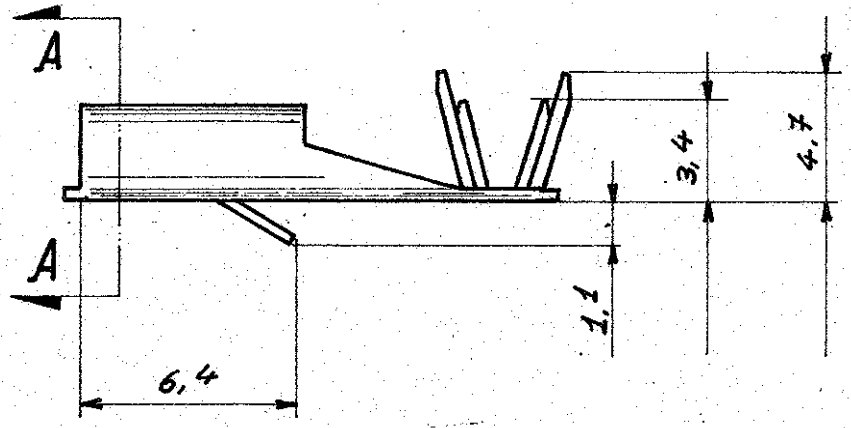
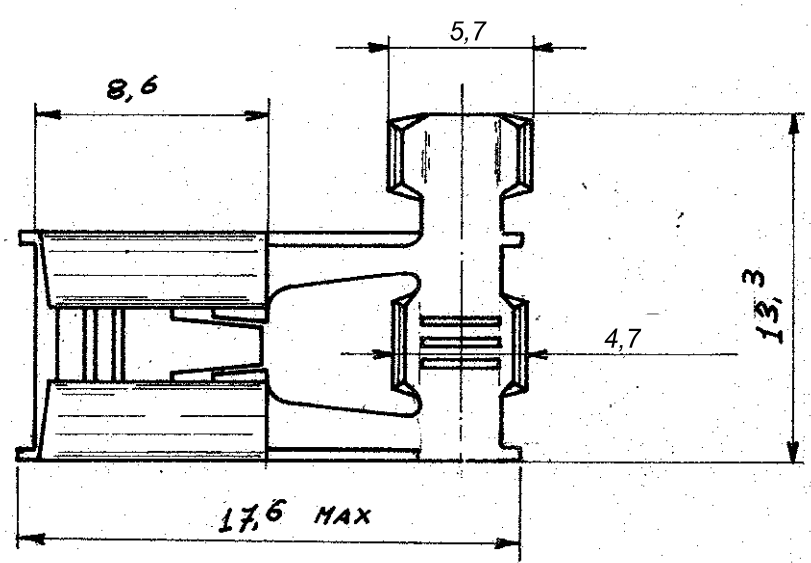
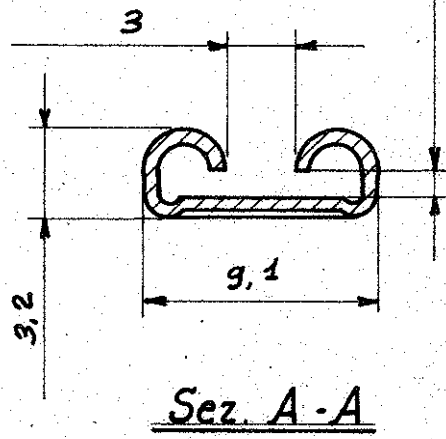


180422	P/N	MATERIAL	
	180422-1	OTTONE	OBSOLETE
	180422-2	OTTONE STAGNATO	
	180422-3	BRONZO FOSF.	
	180422-4	BR. FOSF. ARG.	OBSOLETE
	180422-5	BR. FOSF. STAGNATO	OBSOLETE
	180422-6	OTTONE ARG.	OBSOLETE

Adatto per linguetta di sp. 0,8



DIMENSIONS IN MM (IN). DO NOT SCALE PRINT

H2	ECR-12-018307	PKS	RRP	20OCT 2012
H1	ECR-10-022530	KK	HMR	03FEB11
H	Revised ET00-0319-97	A	F	05.09 1997
A	Revised For ET00-0080-94			18/5/99
LTR	REVISION RECORD	DR	CHK	DATE
DR	9-1-73	DE		
CHK		APP		

© 1978 BY TE INCORPORATED. ALL RIGHTS RESERVED. TE PRODUCTS COVERED BY PATENTS AND/OR PATENTS PENDING.

CUSTOMER COPY REFERENCE ONLY

MATERIAL AND FINISH
VEDERE TABELLA
WIRE RANGE INSULATION TYPE
1-2,5 mm² | 3-4,3 DIA mm
TOLERANCE EXCEPT AS NOTED
± 0,1 ± 10 °
NAME
:312 SERIES FLAG FASTEN-ON REC. (L.P.)

TE TE Connectivity

CLASS .312 SERIES
TYPE F. F.

LOC I A NO C-180422 REV. H2