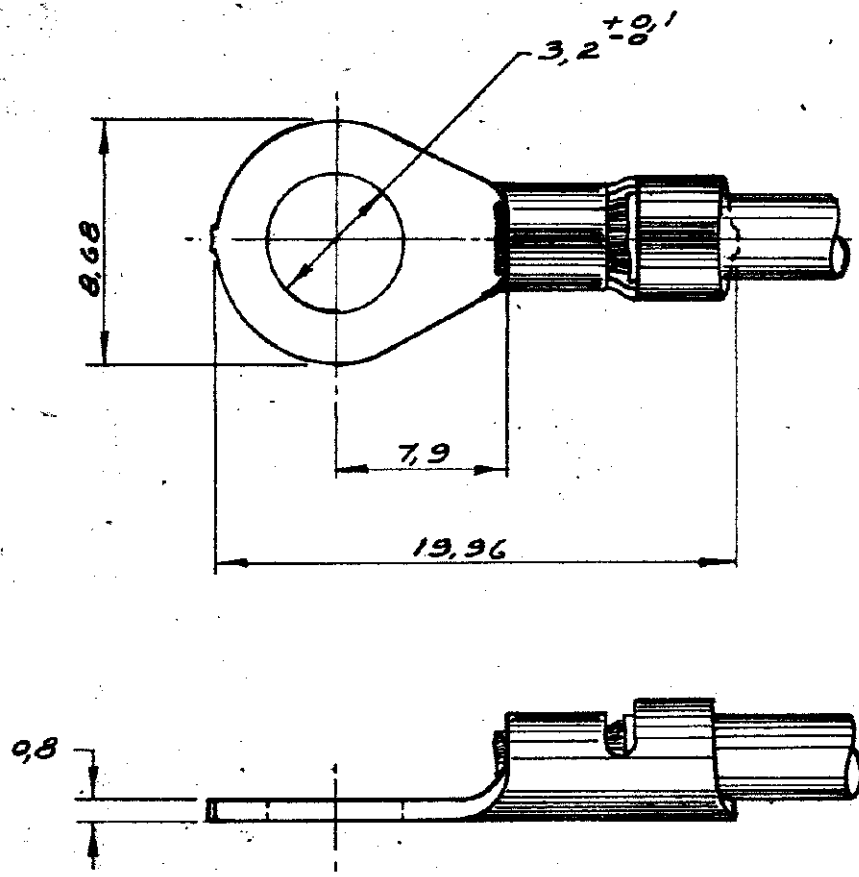


NUMBER



0,4

MATERIALE:
 180AH/1 OTTONE
 180AH/2 OTTONE STAGNATO

DIMENSIONS IN INCHES. DO NOT SCALE PRINT

© 1965 BY AMP INCORPORATED ALL RIGHTS RESERVED. AMP PRODUCTS COVERED BY PATENTS AND/OR PATENTS PENDING.

CUSTOMER COPY
 REFERENCE ONLY

MATERIAL AND FINISH
 YEDI NOTA



AMP - ITALIA
 CORSO POBONERA 290/5
 TORINO - ITALIA

CLASS AUTO MACHINE

LTR	REVISION RECORD	DR	CHK	DATE
A	NAS 7A-5-5004	N.I.		1-19-65
DR	N. ISKRA	DE		
CHK	1-19-65	AMP		

WIRE RANGE INSULATION
 95-97 23,5-3,5 φ

TYPE

TOLERANCE EXCEPT AS NOTED
 2-015 ± 0.005

SCALE 2
 LOC A NO 180AH

NAME RING TONGUE