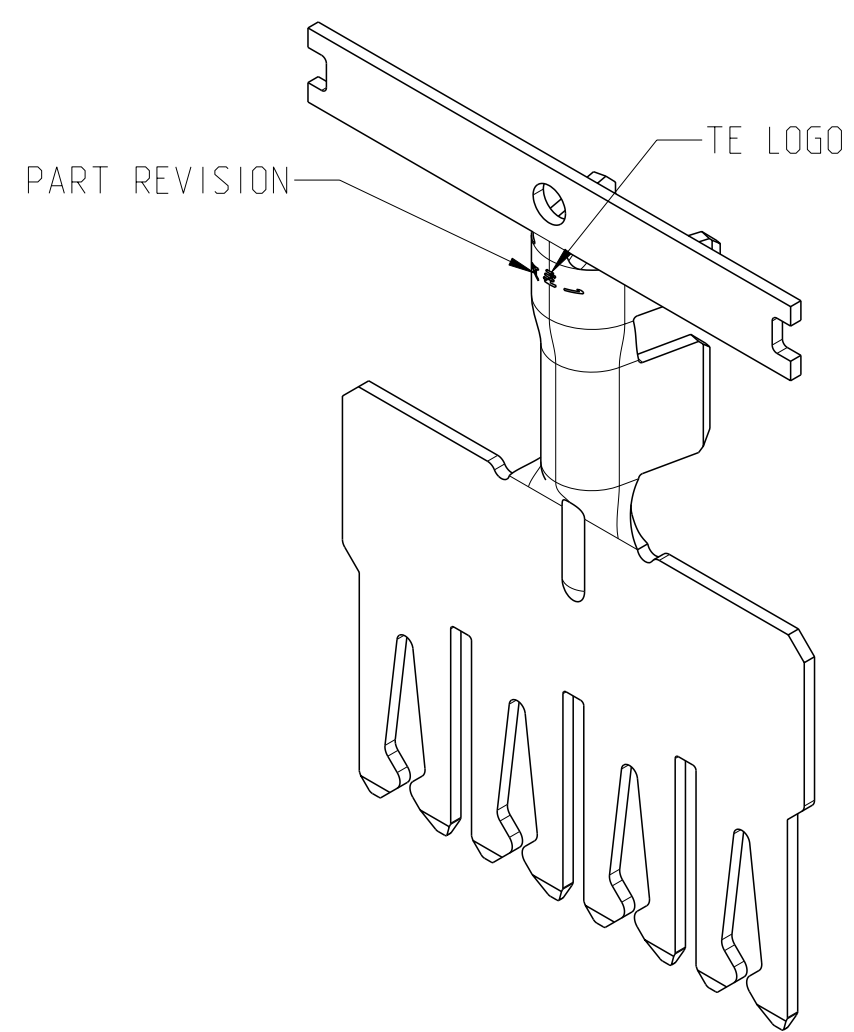
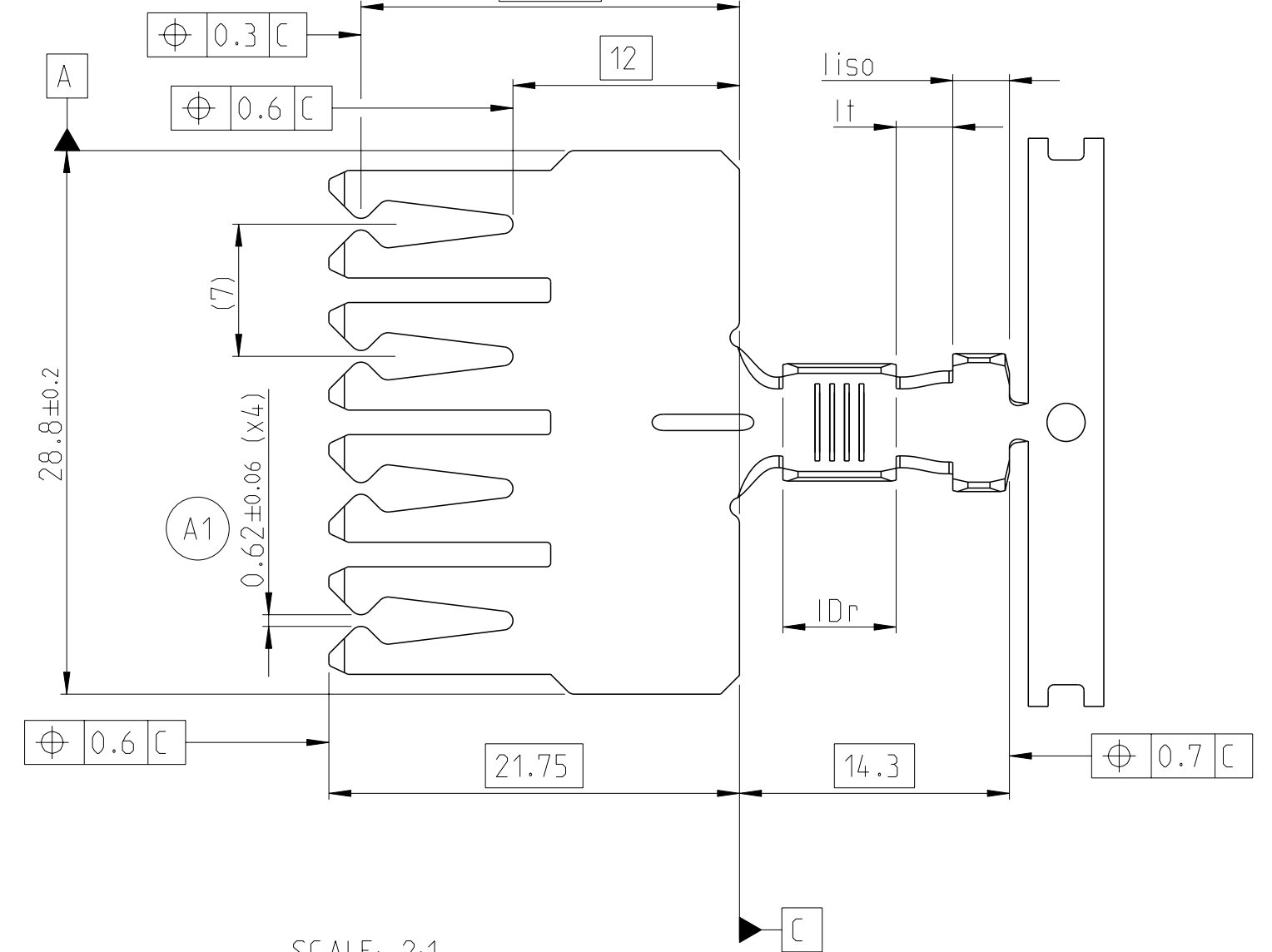
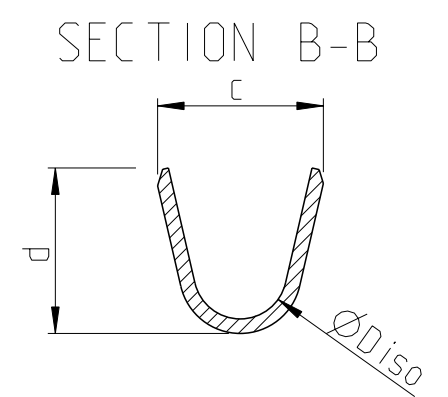
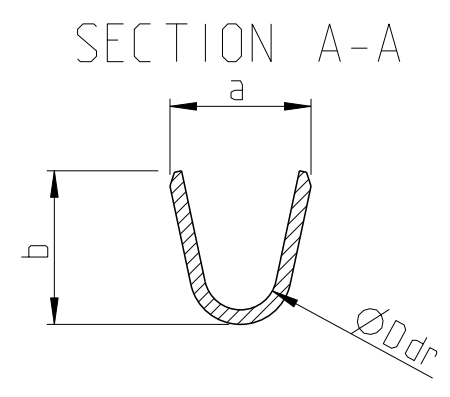
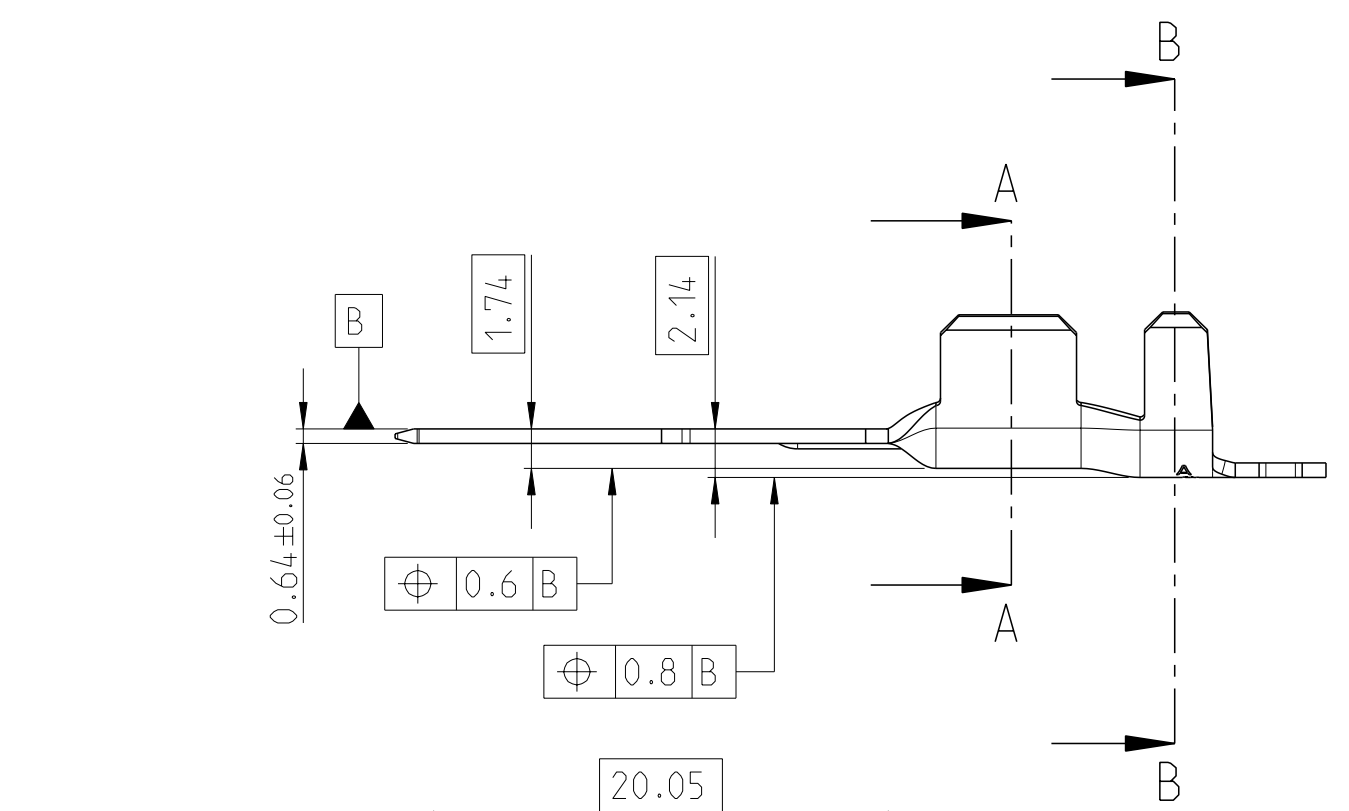


THIS DRAWING IS UNPUBLISHED. RELEASED FOR PUBLICATION 2011  
 © COPYRIGHT 2011 ALL RIGHTS RESERVED.

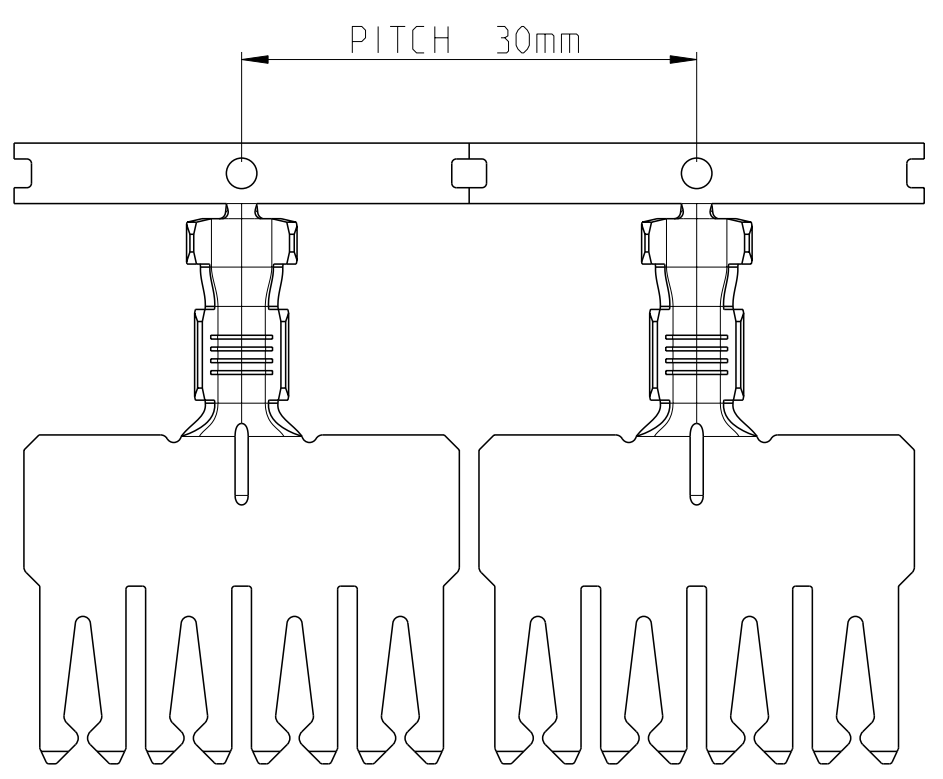
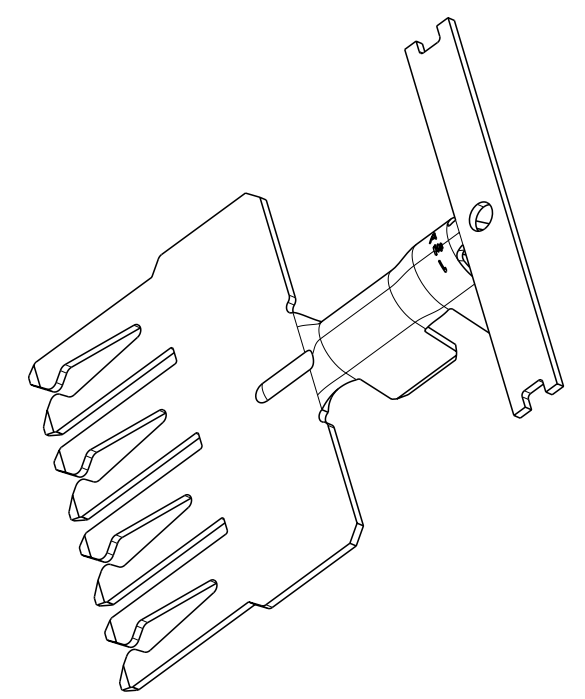
LOC		DIST		REVISIONS			
P	LTR	DESCRIPTION	DATE	DWN	APVD		
	A	INITIAL RELEASE	14OCT2014	TV	IS		
	A1	ADD MISSING DIMENSION	29JUN2016	OB	IS		



CRIMP DESIGN		
PRODUCT PN	1801614-3	1801614-4
WIRE RANGE	2.5mm <sup>2</sup> to 4 mm <sup>2</sup>	5mm <sup>2</sup> to 6 mm <sup>2</sup>
INSUL. RANGE	3 mm to 3.7 mm	4mm to 4.3 mm
IDr	5.5±0.2	6±0.2
It	2.3±0.2	3±0.2
liso	2.3±0.2	3±0.2
a	5.3±0.4	6.2±0.4
b	(5.6)	(6.6)
Ddr	2.5±0.2	3.2±0.2
c	6.6±0.4	7.3±0.4
d	(6.6)	(7.4)
Diso	3.5±0.2	4.1±0.2

**NOTA**  
 1 SET FOR USE WITH TAB THICKNESS: 0.8mm  
 2 INTERMONTABILITY CAVITY DRAWING: 1801776-C  
 3 PN 1801614-4 REPRESENTED

SCALE: 2:1



PART NUMBER TABLE			
TE PN	DESIGNATION	MATERIAL	PLATING
1801614-3	4 MINIATURE FUSES CLIP SHUNT, WIRE RANGE 2.5 <sup>2</sup> TO 4 <sup>2</sup>	CuFe2p	TIN PLATING
1801614-4	4 MINIATURE FUSES CLIP SHUNT, WIRE RANGE 5 <sup>2</sup> TO 6 <sup>2</sup>		

THIS DRAWING IS A CONTROLLED DOCUMENT.		DWN T.VERNIER 14OCT2014	TE Connectivity	
DIMENSIONS: mm		CHK J.DREUX 15OCT2014		
TOLERANCES UNLESS OTHERWISE SPECIFIED:		APVD J.SMIRANI 15OCT2014	NAME 4 MINIATURE FUSES CLIP SHUNT	
0 PLC ±		PRODUCT SPEC 108-15415	SIZE	
1 PLC ±0.4		APPLICATION SPEC 114-15124	CAGE CODE	
2 PLC ±		WEIGHT 4g	DRAWING NO	
3 PLC ±		CUSTOMER DRAWING	RESTRICTED TO	
4 PLC ±			A2 00779 C=1801614	
ANGLES		SCALE 3:1	SHEET 1 OF 1	
FINISH		REV A1		