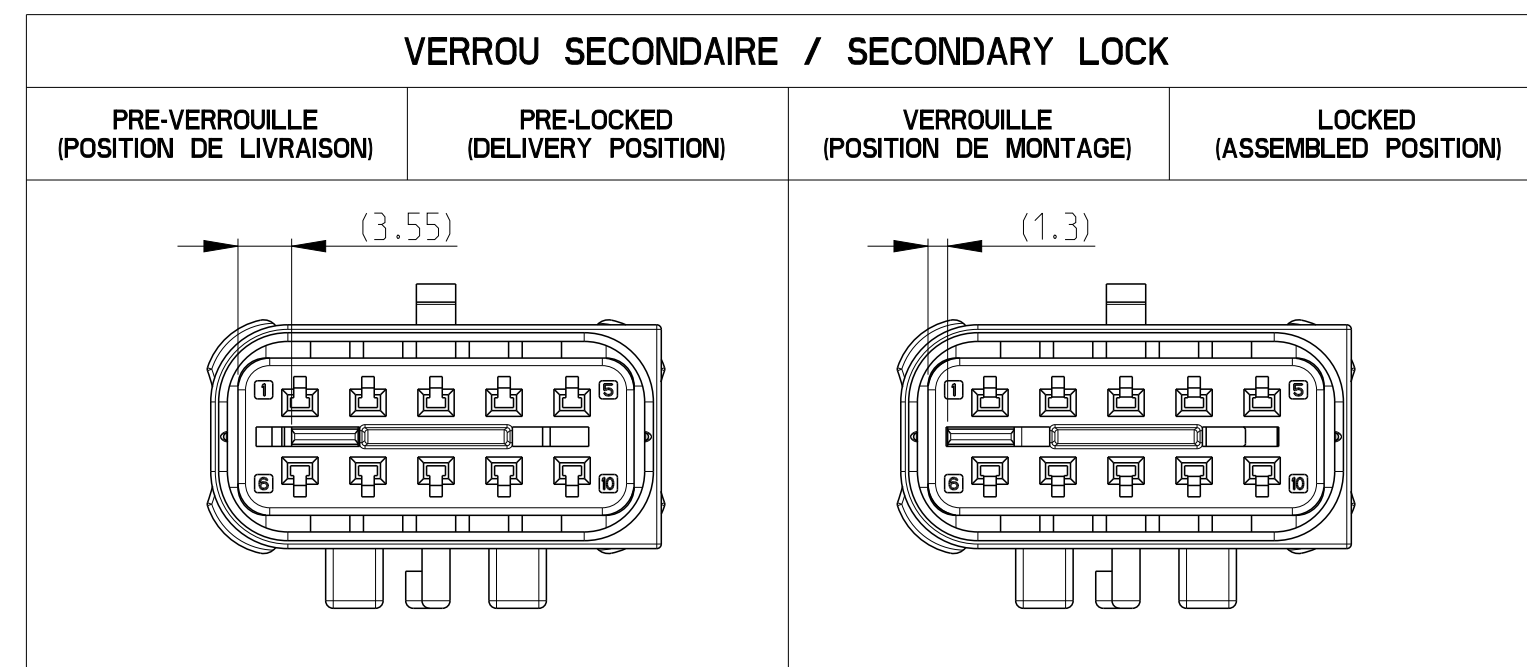
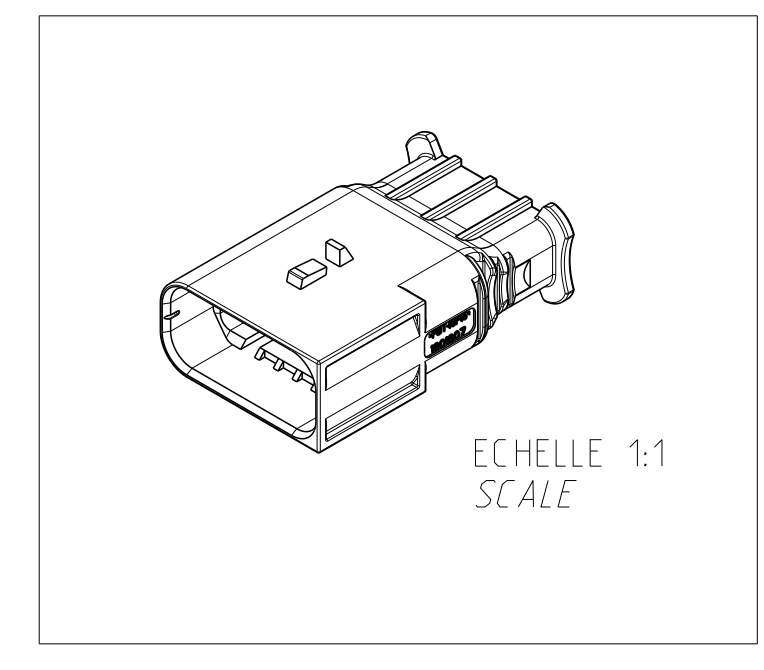
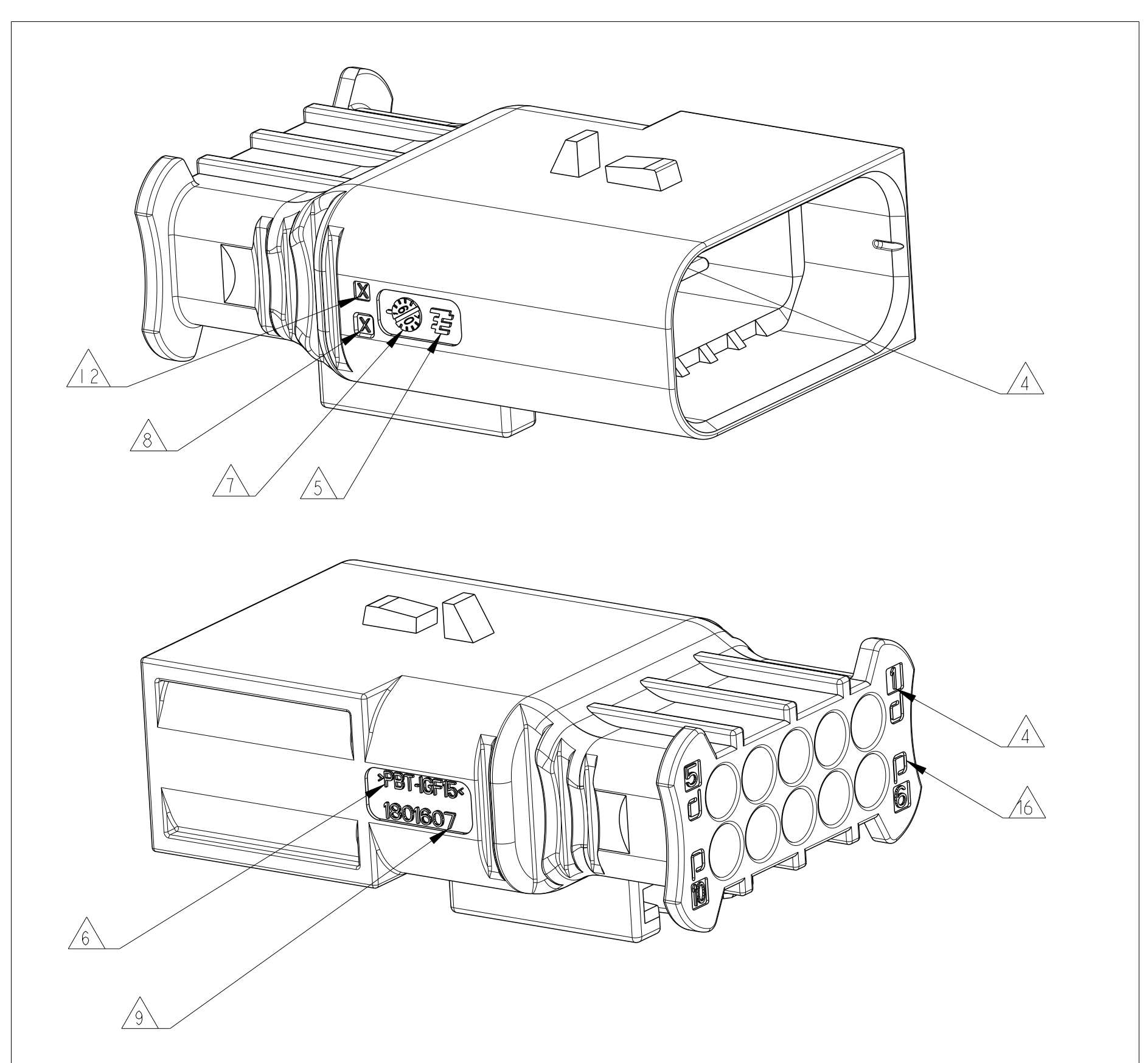
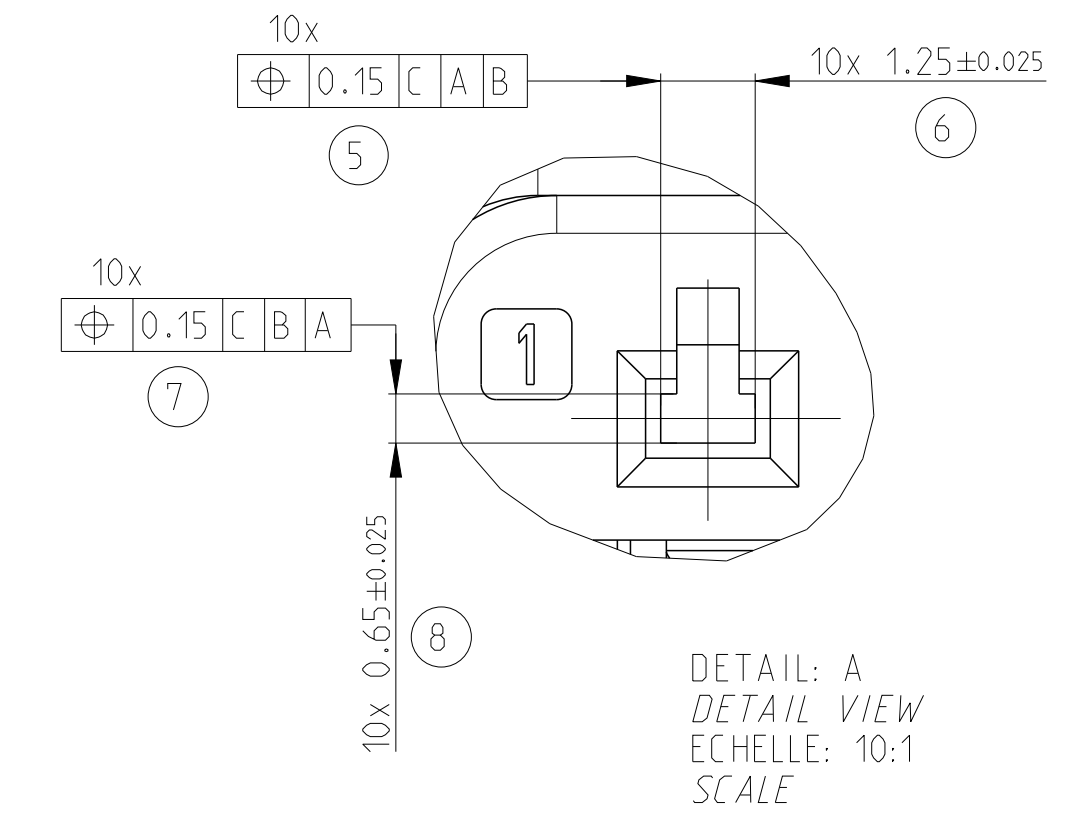
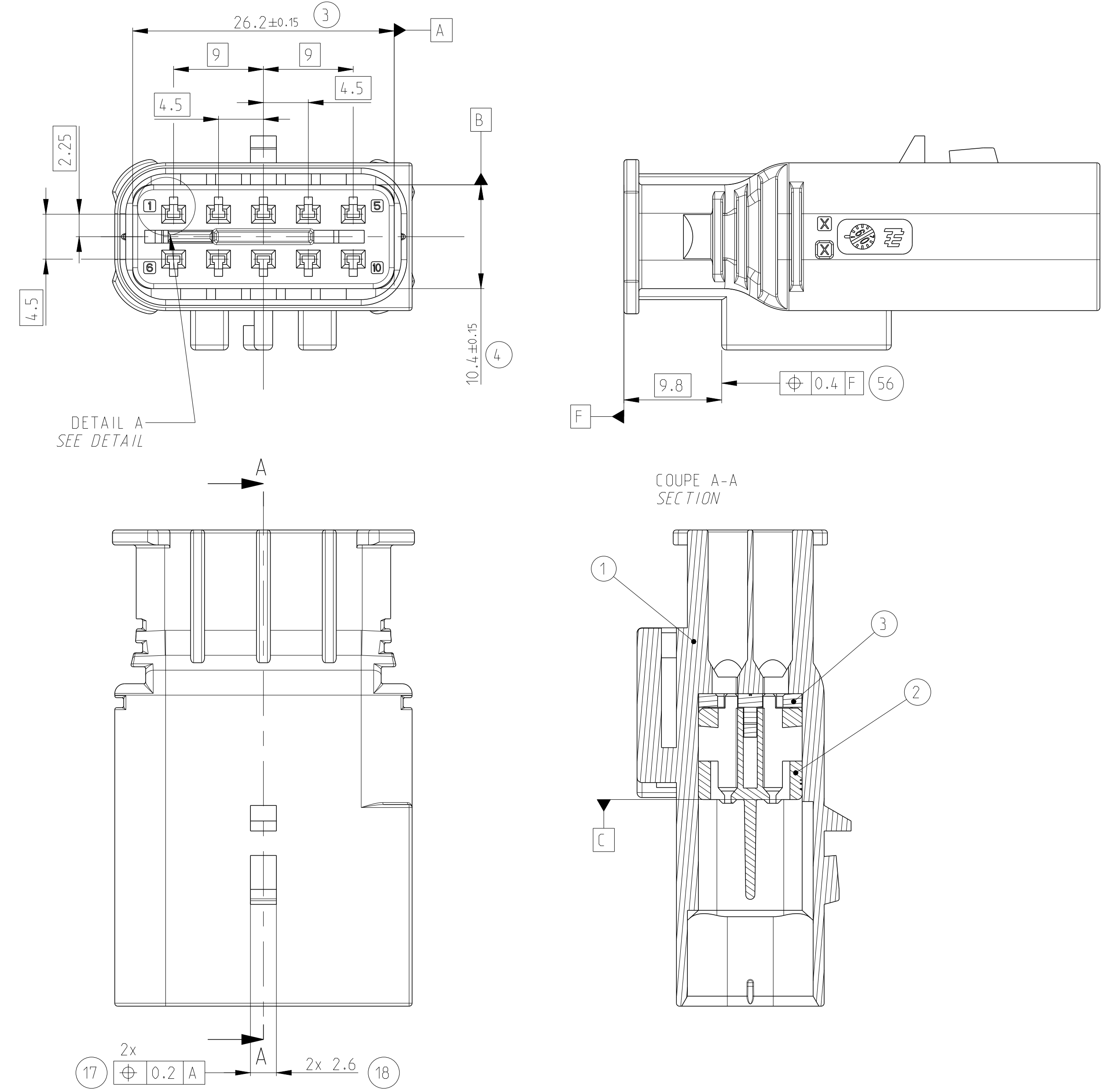
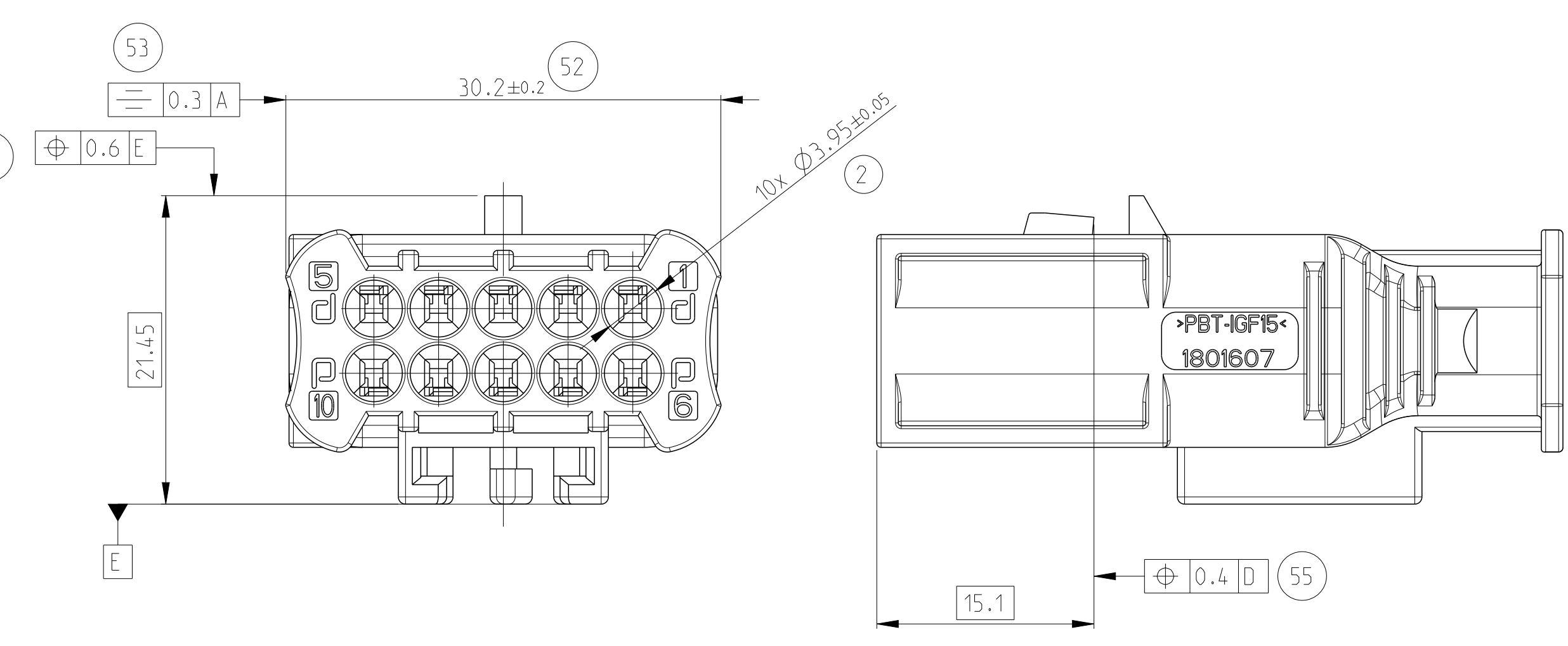
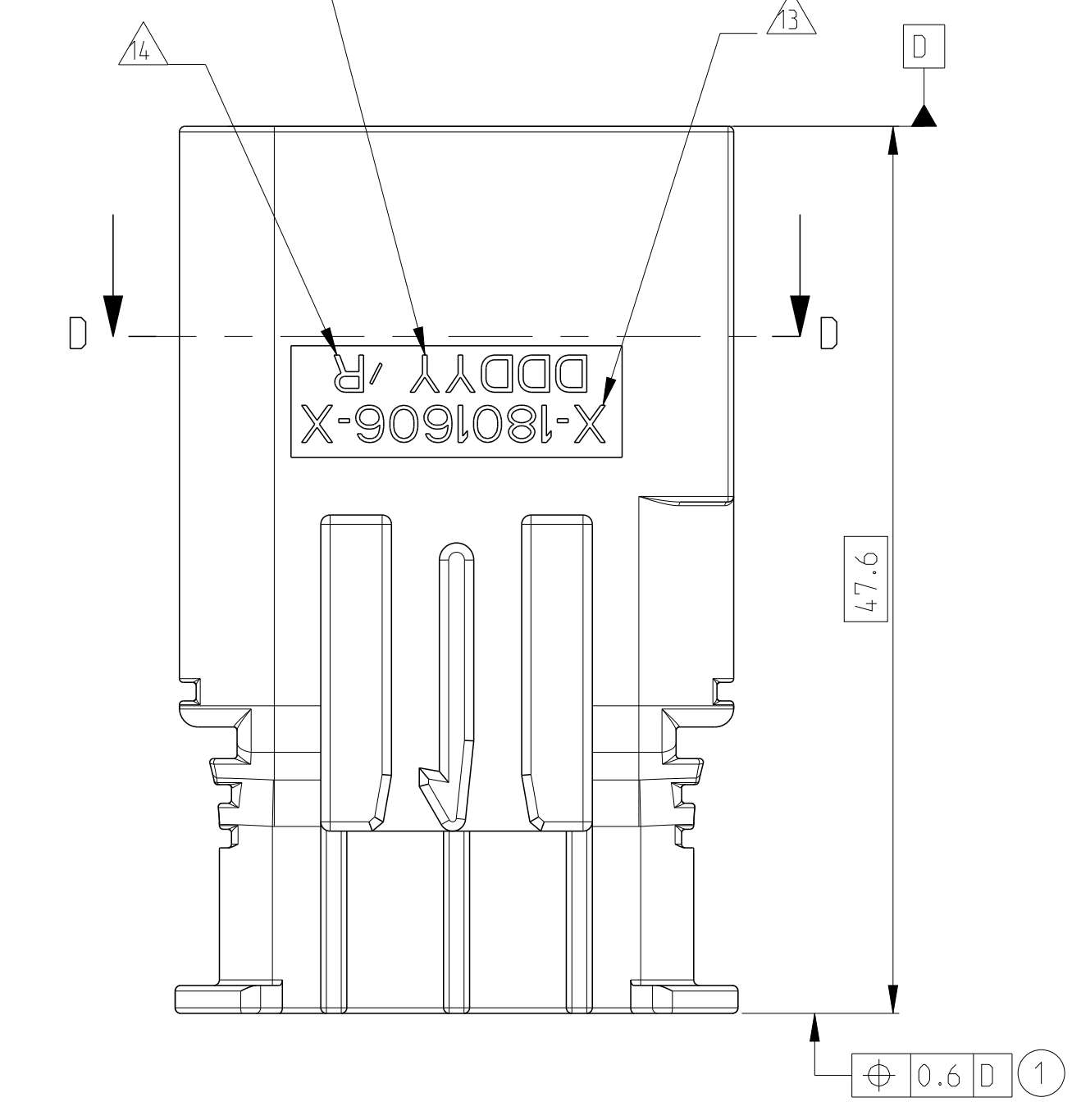


REF. TE / REVISION / PART NUMBER	PRODOT / PRODUCT / PC	CODAGE / KEYING	COULEUR / COLOR
1801606-1	A	NOIR / BLACK	
1801606-2	A	GRIS / GREY	
1801606-3	A	BLEU / BLUE	
1801606-4	A	VERT / GREEN	
1801606-5	A	ROUGE / RED	
1801606-6	A	PAS DE CODAGE / NO KEYING VIOLET / VIOLET	



3 DIGITS POUR LE JOUR, 2 DIGITS POUR L'ANNEE
3 DIGITS FOR THE DAY, 2 DIGITS FOR THE YEAR



REVISIONS			
REV.	DESCRIPTION / MODIFICATIONS	DATE	APP. / REV.
F	00		
B	UPDATE TOLERANCE OF KEYING	26.AUG.2011	OB / XR
C	ADD NUMBER OF PACKAGING SPECIFICATION	06.FEB.2012	OB / XR
D	SW'S 963142-1 SUPERSEDED BY 963142-3	14.OCT.2012	OB / XR
E	REMOVED WIRE 1.5MM2 FOR GOLD PLATED TAB	03.AUG.2013	OB / XR

REFERENCE TE / TE PART NUMBER	DESIGNATION / DESCRIPTION	FINITION / FINISH	REMARQUE / NOTE
1718758-1	CONTACT / CONTACT	ETAME / TIN PLATED	LANGUETTE MCON (MCON CONTACT) 0.25 A 0.35 MM ² (SDMM)
1718758-2	CONTACT / CONTACT	DORE / GOLD PLATED	LANGUETTE MCON (MCON CONTACT) 0.25 A 0.35 MM ² (SDMM)
1718758-3	CONTACT / CONTACT	ARGENTE / SILVER PLATED	LANGUETTE MCON (MCON CONTACT) 0.25 A 0.35 MM ² (SDMM)
1718760-1	CONTACT / CONTACT	ETAME / TIN PLATED	LANGUETTE MCON (MCON CONTACT) 0.5 A 0.75 MM ² (SDMM)
1718760-2	CONTACT / CONTACT	DORE / GOLD PLATED	LANGUETTE MCON (MCON CONTACT) 0.5 A 0.75 MM ² (SDMM)
1718760-3	CONTACT / CONTACT	ARGENTE / SILVER PLATED	LANGUETTE MCON (MCON CONTACT) 0.5 A 0.75 MM ² (SDMM)
1718762-1	CONTACT / CONTACT	ETAME / TIN PLATED	LANGUETTE MCON (MCON CONTACT) 1 A 1.5 MM ² (SDMM)
1718762-2	CONTACT / CONTACT	DORE / GOLD PLATED	LANGUETTE MCON (MCON CONTACT) 1 MM ² (SDMM)
1718762-3	CONTACT / CONTACT	ARGENTE / SILVER PLATED	LANGUETTE MCON (MCON CONTACT) 1 A 1.5 MM ² (SDMM)
963142-3	Joint Uni-Filaire / Single Wire Seal		FIL (WIRE) Ø1.75 & 2.4 DE SECTION 1 - 1.5 MM ² ET ALVEOLE MCON (MCON CAVITY) Ø3.95
963142-2	Joint Uni-Filaire / Single Wire Seal		FIL (WIRE) Ø1.25 & 1.9 DE SECTION 0.35 - 0.75 MM ² ET ALVEOLE MCON (MCON CAVITY) Ø3.95
963143-1	BOUCHON / CAP		OBTURATEUR POUR ALVEOLES MCON Ø3.95 (PLUG FOR Ø3.95 MCON CAVITY)

NOTE:		
1	1801606-1 : REPRESENTE	1801606-1 : AS SHOWN
2	COMPATIBLE AVEC ALVEOLES STD. LANGUETTES MCON 1.2	COMPATIBLE WITH CAVITY STANDARD TAB MCON 1.2
⚠	REPERE ALVEOLES	CAVITY NUMBER
⚠	LOGO TE	TE STAMP
⚠	IDENTIFICATION MATIERE	MATERIAL IDENTIFICATION
⚠	DATE DE MOULAGE	MOLDING DATE CODE
⚠	N° EMPREINTE DU MOULE	MOLD CAVITY IDENTIFICATION
⚠	REFERENCE COMPOSANTS	COMPONENTS PART NUMBER
10	CAHIER DE PRECONISATION : 411-15748	INSTRUCTION SHEET : (SEE BEFORE)
⚠	INDICE DE REVISION COMPOSANTS	PART REVISION CODE
⚠	REFERENCE DU PRODUIT ASSEMBLE	ASSEMBLY PART NUMBER
⚠	INDICE DE REVISION DU PRODUIT ASSEMBLE	ASSEMBLY PART REVISION CODE
⚠	DATE D'ASSEMBLAGE	ASSEMBLY DATE CODE
⚠	LOGO POUR ORIENTATION DU CONTACT	LOGO FOR CONTACT ORIENTATION
17	SPECIFICATION DE CONDITIONNEMENT : 107-15635	PACKAGING SPECIFICATION : (SEE BEFORE)

JAUNE / YELLOW	PBT-IGF30	DOUBLE VERROUILLAGE / SECONDARY LOCKING	3
NOIR / BLACK	PBT-IGF5S	BOTIER CAVITE / CAVITY HOLDER	2
VOIR TABLEAU DES REF. / SEE TABLE OF PART NUMBER	PBT-IGF5S	BOTIER PORTE-LANGUETTES (CODAGE INDIR. / TABLEAU DES REFS) / TAB HOUSING (CODING (SEE TABLE OF PART NO))	1
COULEUR / COLOR	MATIERE / MATERIAL	DESCRIPTION / TITLE	REP. ITEM

THIS DRAWING IS A CONTROLLED DOCUMENT. DATE: 02 MAY 2011. DRAWING NO: 000779. SCALE: 4:1. SHEETS: 1 OF 1. REV: F.

STE TE Connectivity
 PORTES-LANGUETTES 10 VOIES MCON
 10 WAYS MCON TAB HOUSING

Customer Drawing / PLAN CLIENT
 Drawing No: 000779
 Scale: 4:1
 Sheets: 1 of 1