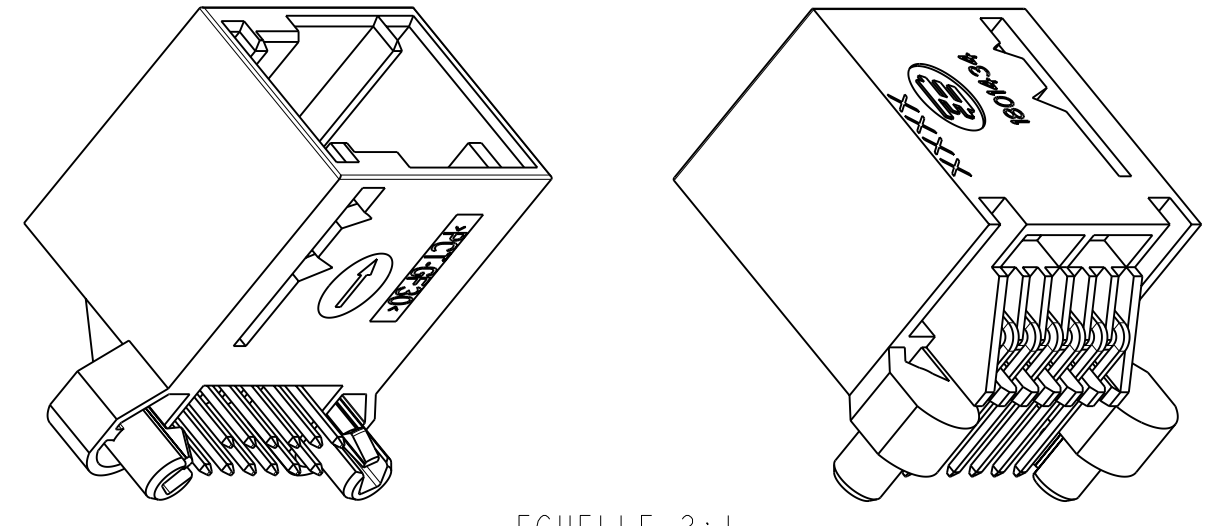
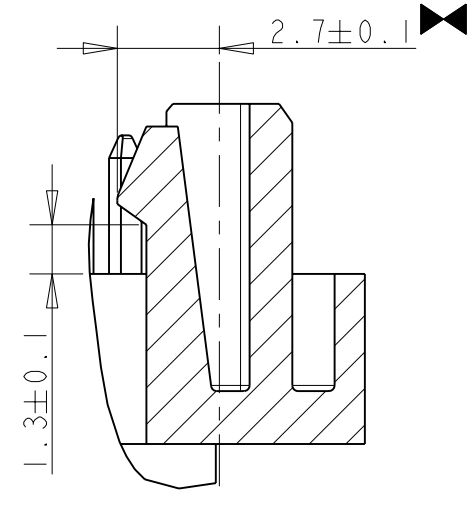
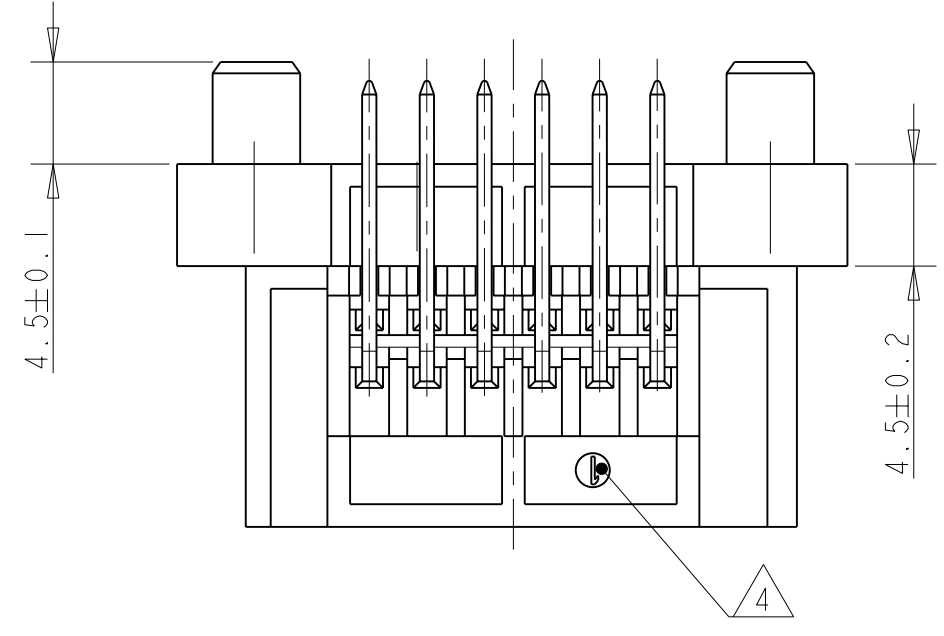
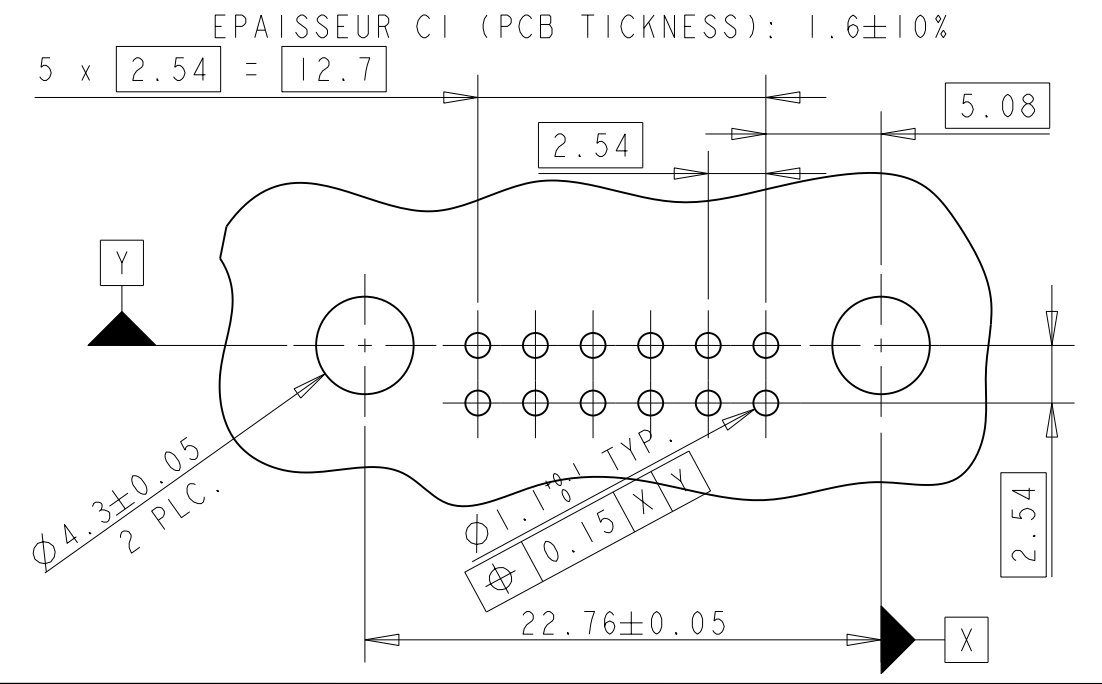


THIS DRAWING IS UNPUBLISHED. RELEASED FOR PUBLICATION 20
 © COPYRIGHT 20 BY TYCO ELECTRONICS CORPORATION. ALL RIGHTS RESERVED.

REVISIONS							
LOC	DIST	P	LTR	DESCRIPTION	DATE	DWN	APVD
F	-	E		AJOUT CODAGE -2 MARRON	14FEB11	AD	JL

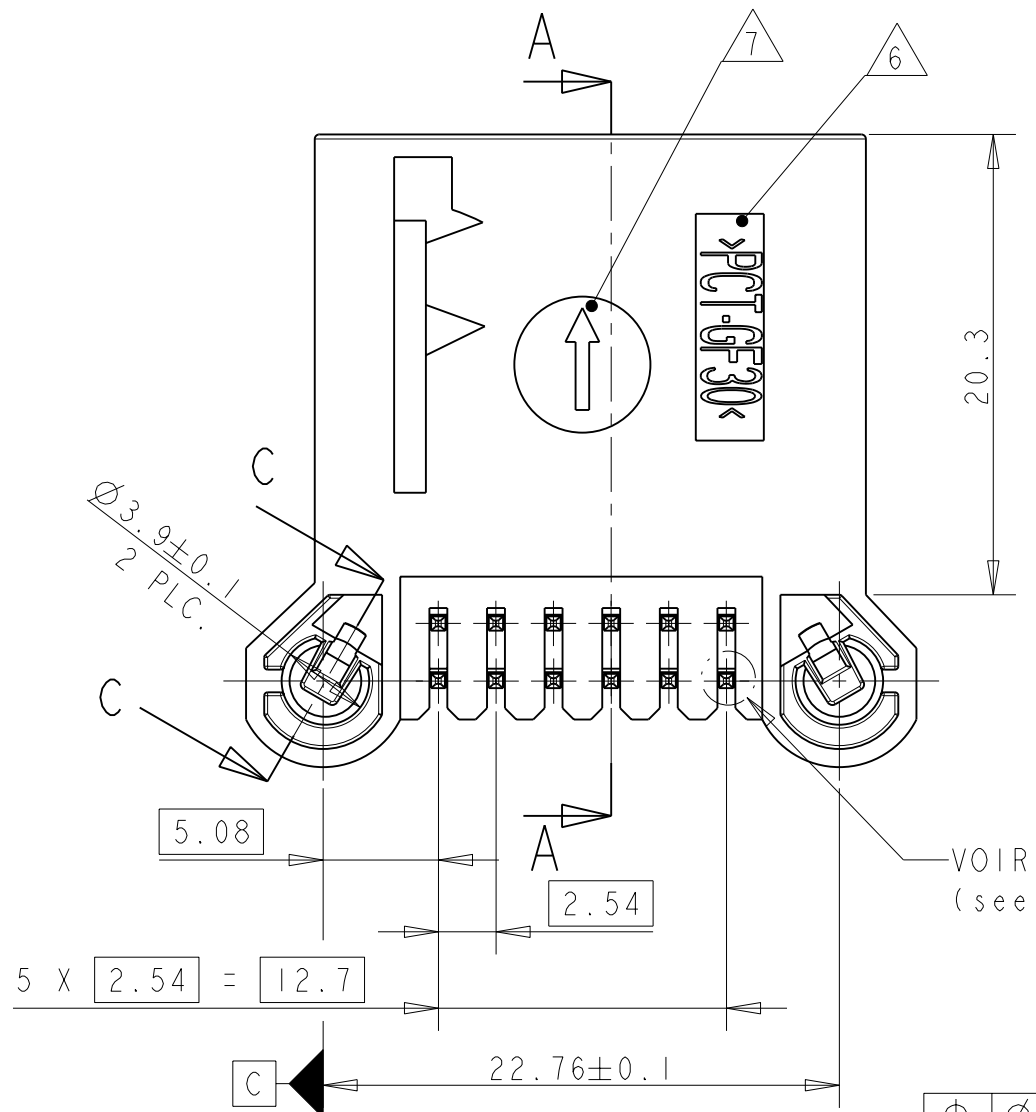
RECOMMANDATION IMPLANTATION CI
 RECOMMENDED PCB DETAILS
 VUE DE DESSOUS/ VIEW FROM UNDER



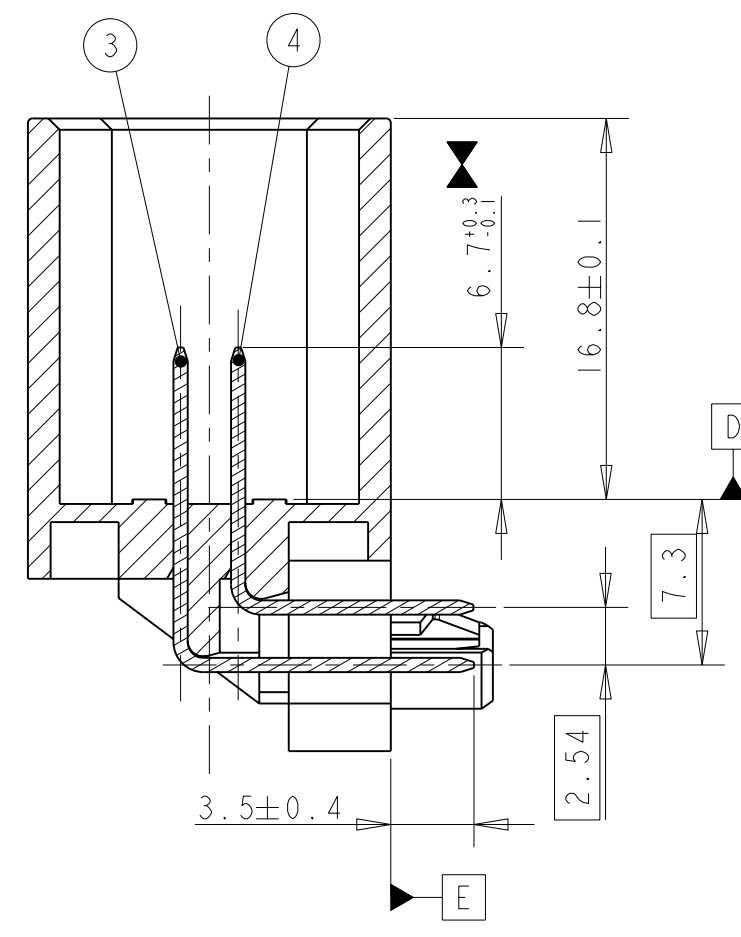
ECHELLE 2:1 (SCALE)

NOTES:

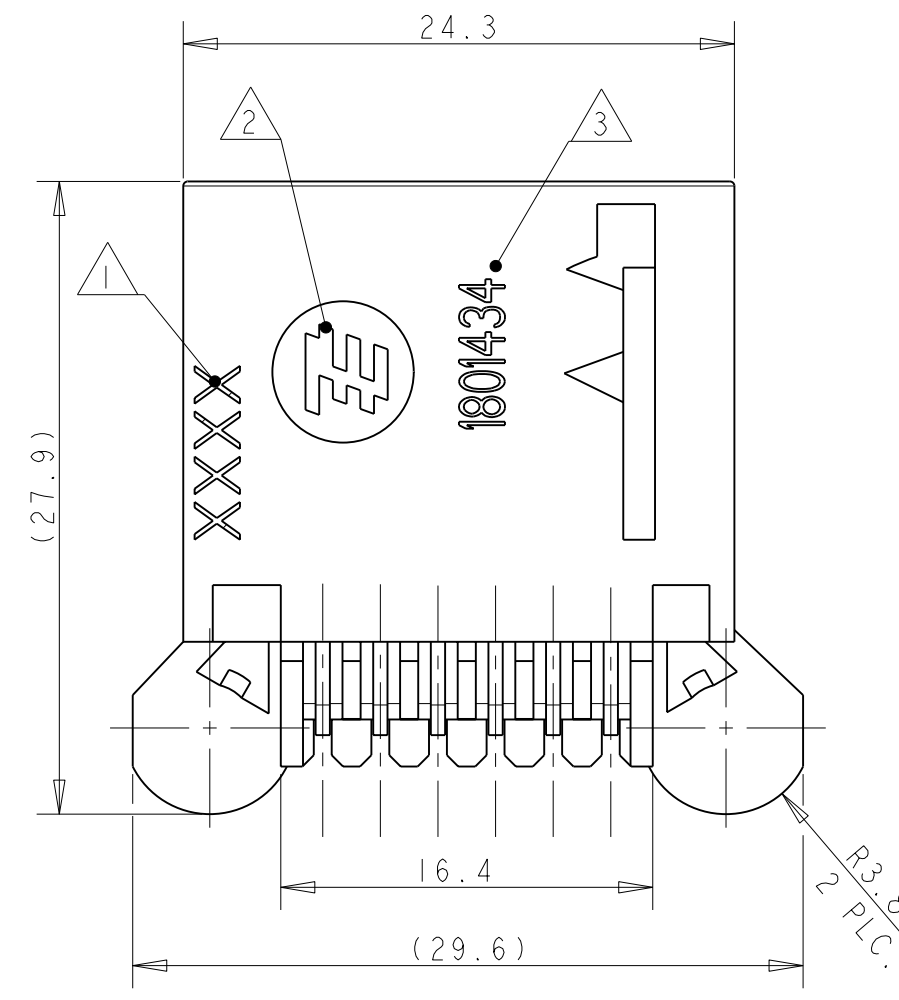
- ① : DATE D'ASSEMBLAGE. (assembly date code).
- ② : LOGO "Tyco Electronics" (stamp).
- ③ : REFERENCE DU PRODUIT. (part number).
- ④ : NUMERO D'EMPREINTE MOULE BOITIER. (mold cavity identification number).
- ⑤ : REPERE ALVEOLE. (cavity marking).
- ⑥ : IDENTIFICATION DE LA MATIERE. (material identification).
- ⑦ : DATE CODE BOITIER. (housing date code).
- ⑧ : EN ACCORD AVEC LA SPEC D'INTERFACE TE: 208-15544. (according to TE interface spec).
- ⑨ : FLAMABILITE DE LA MATIERE EN ACCORD AVEC LA NORME FMVSS 302 - 100mm/mn. (Flammability of material : according to norm FMVSS 302 - Velocity < 100mm/mn).
- ⑩ : DIMENSIONS QUALIFIEES SUIVANT SPEC TE:109-201 TEST CONDITION B. (dimensions qualified according TE spec 109-201 condition B).
- ⚡ : COTE DE CAPABILITE SUR -1 SEULEMENT. (Capability dimension on -1 only).
- ⑪ : SUR 4 CONTACTS SEULEMENT (on 4 contacts only).



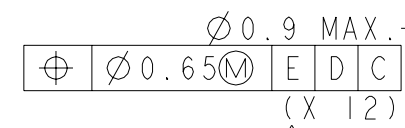
VOIR DETAIL B (see detail)



SECTION A - A



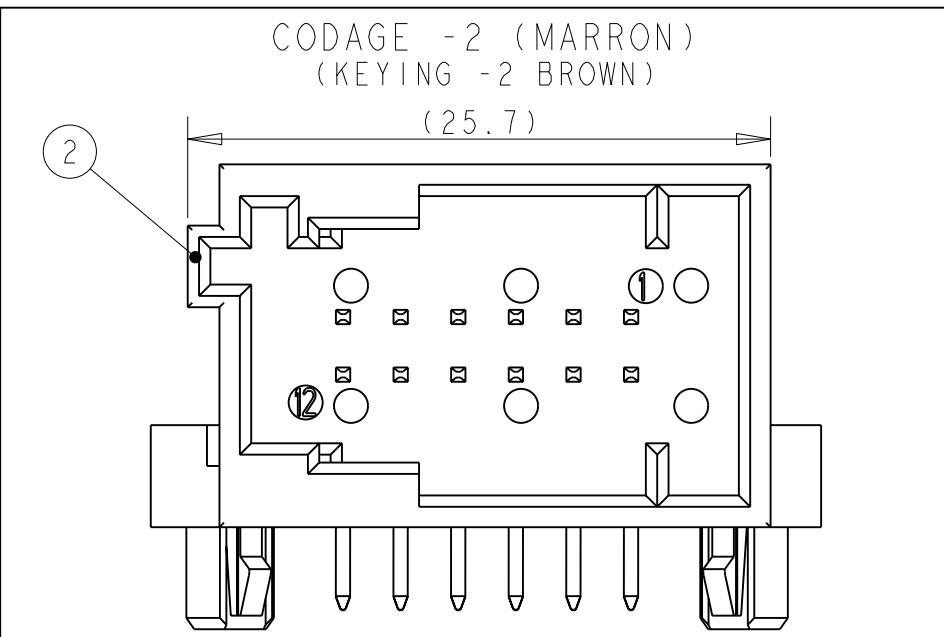
DETAIL D ECHELLE 20:1 (scale 20:1)



DETAIL B ECHELLE 20:1 (scale 20:1)



CODAGE -2 (MARRON)
 (KEYING -2 BROWN)
 (25.7)



CODAGE -1 (NOIR)
 (KEYING -1 BLACK)

VOIR DETAIL D (see detail)

REFERENCE (assy p/n)	1801434-2	1801434-1				
6	6	CuSn6	BROCHE MOS COURTE (short pin MOS contact)	POST-ETAME (post-tin)	④	
6	6	CuSn6	BROCHE MOS LONGUE (long pin MOS contact)	POST-ETAME (post-tin)	③	
1	-	PCT 30%GF	EMBASE CODAGE -2 (header keying -2)	MARRON (Brown)	②	
-	1	PCT 30%GF	EMBASE CODAGE -1 (header keying -1)	NOIR (black)	①	
			MATIERE (material)	DESIGNATION (description)	FINITION (finish)	REP (item)

DIMENSIONS: mm		TOLERANCES UNLESS OTHERWISE SPECIFIED:	
0 PLC	±	0 PLC	±
1 PLC	±	1 PLC	±
2 PLC	±0.3	2 PLC	±0.3
3 PLC	±	3 PLC	±
4 PLC	±	4 PLC	±
ANGLES	±2°	ANGLES	±2°
MATERIAL	FINISH	WEIGHT MASSE APPROX.	5.8g
VOIR TABLEAU	VOIR TABLEAU	CUSTOMER DRAWING	

DWN	A. DUPUIS	28NOV2007	Tyco Electronics France SAS	
CHK	J. LALANGE	28NOV2007	95300 Pontoise, France	
APVD	JJ. REVILLI	28NOV2007	NAME	
PRODUCT SPEC			EMBASE 12 VOIES COUDEE MOS AVEC BOARD LOCKS	
APPLICATION SPEC			SIZE	A2
-			CAGE CODE	00779
-			DRAWING NO	C-1801434
-			RESTRICTED TO	-
SCALE			2:1	SHEET 1 OF 1
REV			E	